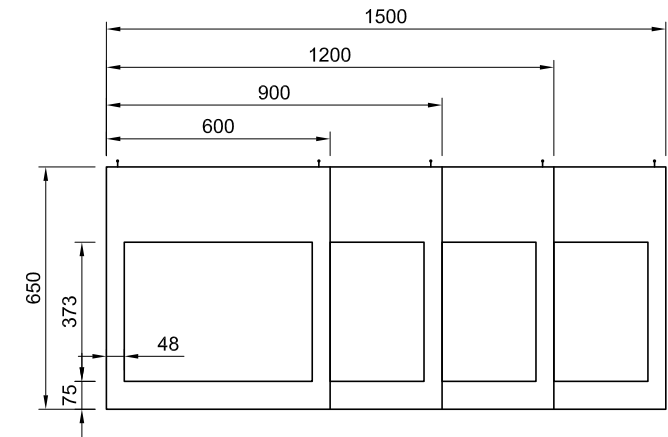
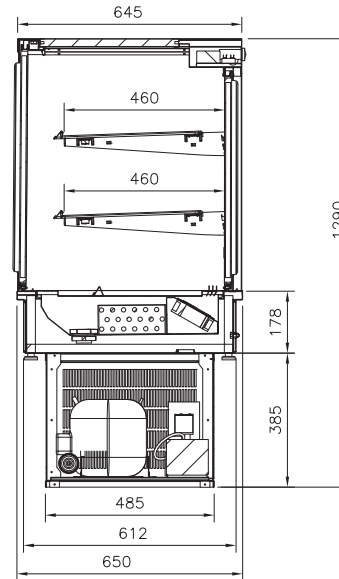




RF STGRF6 STGRF6-SD
 STGRF9 STGRF6-SD
 STGRF12 STGRF12-SD
 STGRF15 STGRF15-SD

- Heated double glazed glass top, sides and front
- Heated rear sub frame
- Argon filled rear doors
- Sliding rear doors
- Solid front or sliding front doors
- Deck forced refrigeration
- Two adjustable shelves - flat or angled
- Ticket strips on shelves and base
- Under shelf and canopy LED lights
- Integral condenser

Solid glass front - optional
 STGRF6 hinged rear door

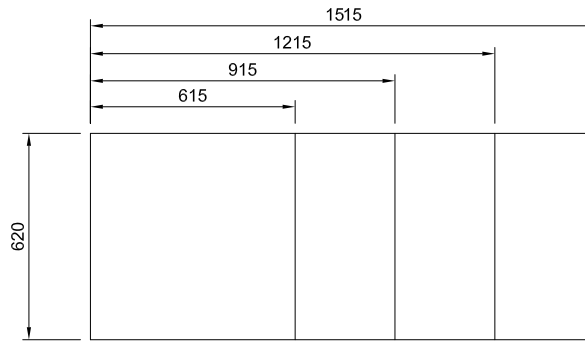


CABINET DIMENSIONS & SPECIFICATIONS

| MODEL | CABINET | | | SHELVING WEIGHT KG | SHELVING 2 + BASE | OPERATING TEMP DEG C | SHELF W X D | BASE TRAY W X D | TOTAL FOOD 100MM UNITS | DISPLAY M ² | INTERNAL VOLUME M ³ | FREQUENCY | REFRIGERANT | POWER | | CONNECTION ELECTRICAL POWER CORD 2200MM | | VOLTAGE | | | | PACKED FOR SHIPPING | | | |
|-----------------------|-------------|------------|-------------|--------------------|-------------------|----------------------|-------------|-----------------|------------------------|------------------------|--------------------------------|-----------|-------------|---------|-----|---|------------|-------------|------------|-------------|--------|---------------------|--|--|--|
| | LENGTH [MM] | DEPTH [MM] | HEIGHT [MM] | | | | | | | | | | | KW 230V | AMP | NZ/AUS 10 AMP | UK 13 AMP | LENGTH [MM] | DEPTH [MM] | HEIGHT [MM] | WEIGHT | | | | |
| STGRF6 STGRF6-SD | 600 | 650 | 925 | 143 | 2 + BASE | 3-5 | 490 X 445 | 540 x 415 | 86 | 0.61 | 0.29 | 50/60 HZ | R290 | 1.01 | 4.3 | 3 PIN PLUG | 3 PIN PLUG | 220-240V | 700 | 730 | 1450 | 150 | | | |
| STGRF9 STGRF9-SD | 900 | 650 | 925 | 178 | 2 + BASE | 3-5 | 790 X 445 | 840 x 415 | 136 | 0.96 | 0.45 | 50/60 HZ | R290 | 1.06 | 4.6 | 3 PIN PLUG | 3 PIN PLUG | 220-240V | 1000 | 730 | 1450 | 185 | | | |
| STGRF12 STGRF12-SD | 1200 | 650 | 925 | 212 | 2 + BASE | 3-5 | 1090 X 445 | 1140 x 415 | 175 | 1.32 | 0.60 | 50/60 HZ | R290 | 1.15 | 5.0 | 3 PIN PLUG | 3 PIN PLUG | 220-240V | 1300 | 730 | 1450 | 219 | | | |
| STGRF15 STGRF15-SD | 1500 | 650 | 925 | 243 | 2 + BASE | 3-5 | 1390 X 445 | 1440 x 415 | 285 | 1.67 | 0.75 | 50/60 HZ | R290 | 1.24 | 5.4 | 3 PIN PLUG | 3 PIN PLUG | 220-240V | 1600 | 730 | 1450 | 300 | | | |

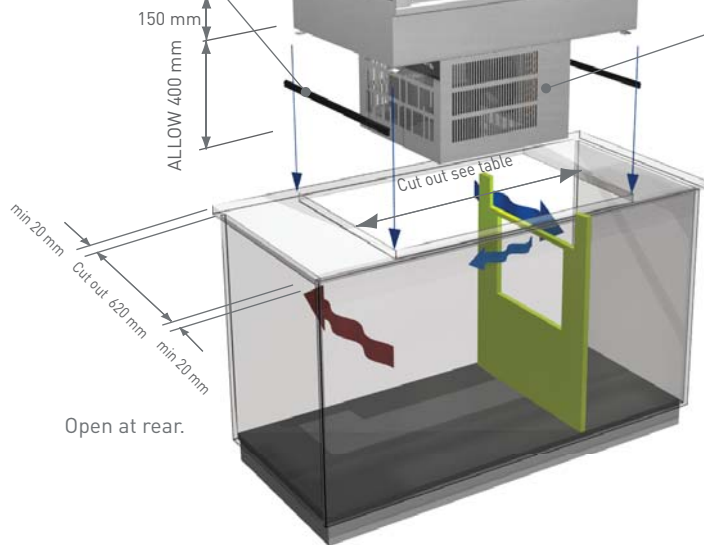
Maximum shelf load weight 15kg spread evenly

SLIDING FRONT DOORS and rear glass sliding doors STGRF-SD
SOLID FRONT and rear glass sliding doors STGRF

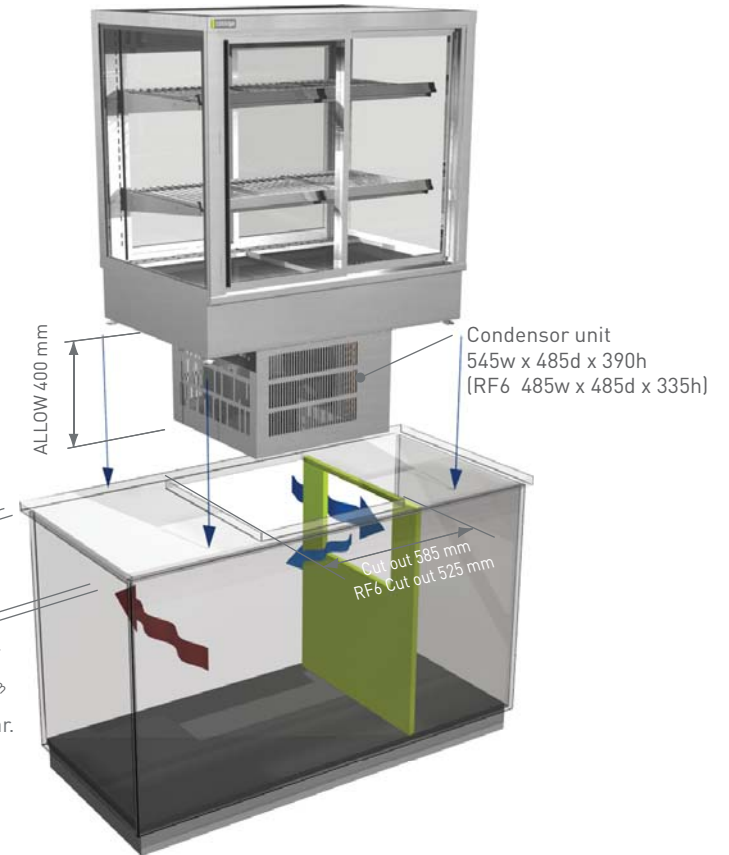


benchtop cut out sizes

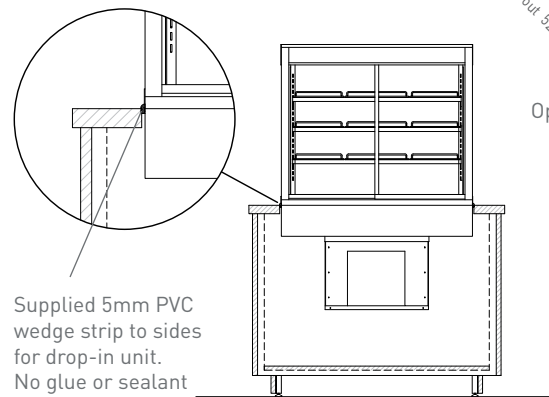
Remove feet for all drop-in installations
Supplied 5mm PVC wedge strip to sides for drop-in unit.



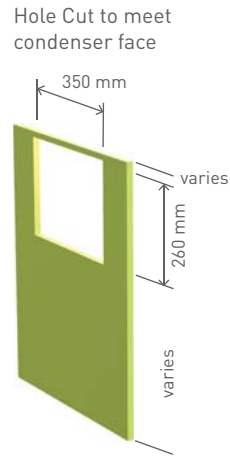
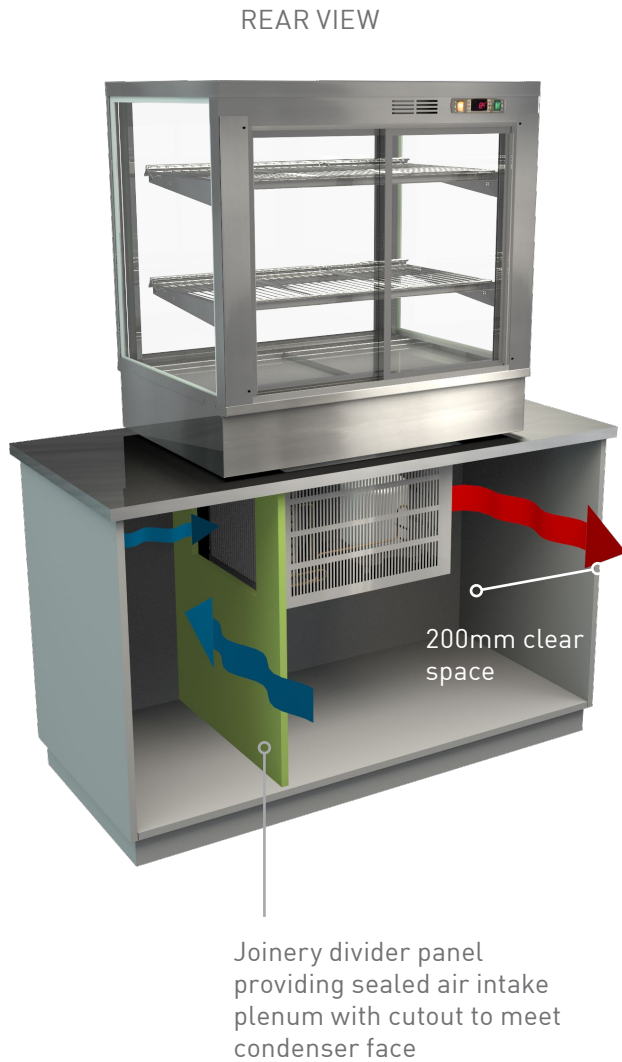
Full bench top drop in



On bench top drop in



Supplied 5mm PVC wedge strip to sides for drop-in unit.
No glue or sealant required

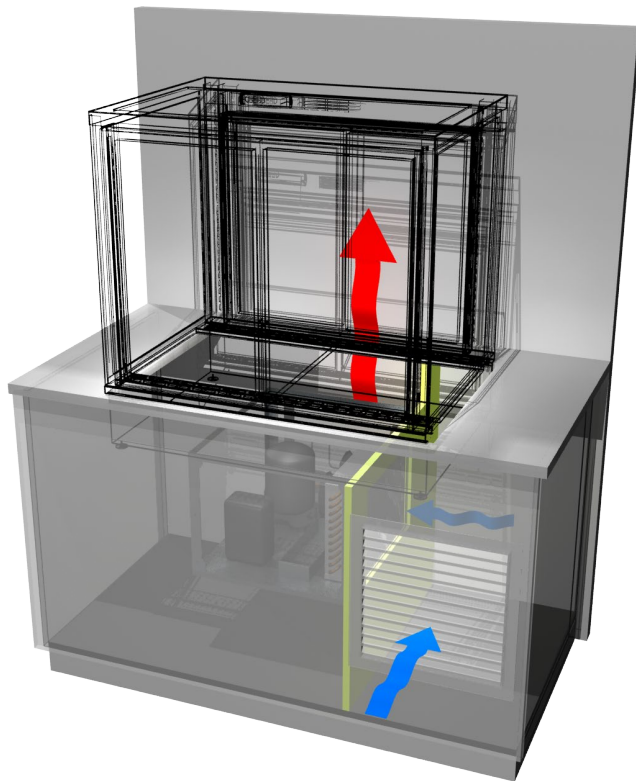


UNITS SHOWN FROM REAR VIEW

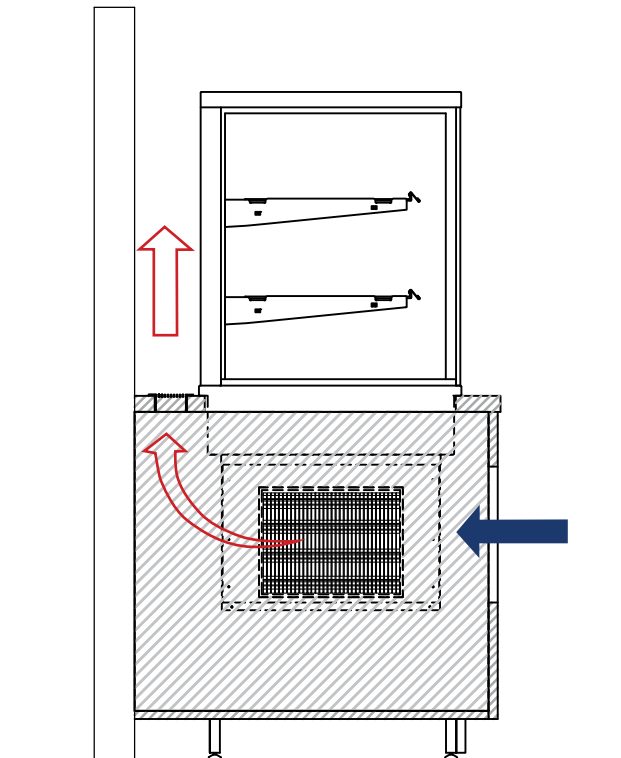


Ideal configuration cabinet open at rear

Cabinet with vented rear doors



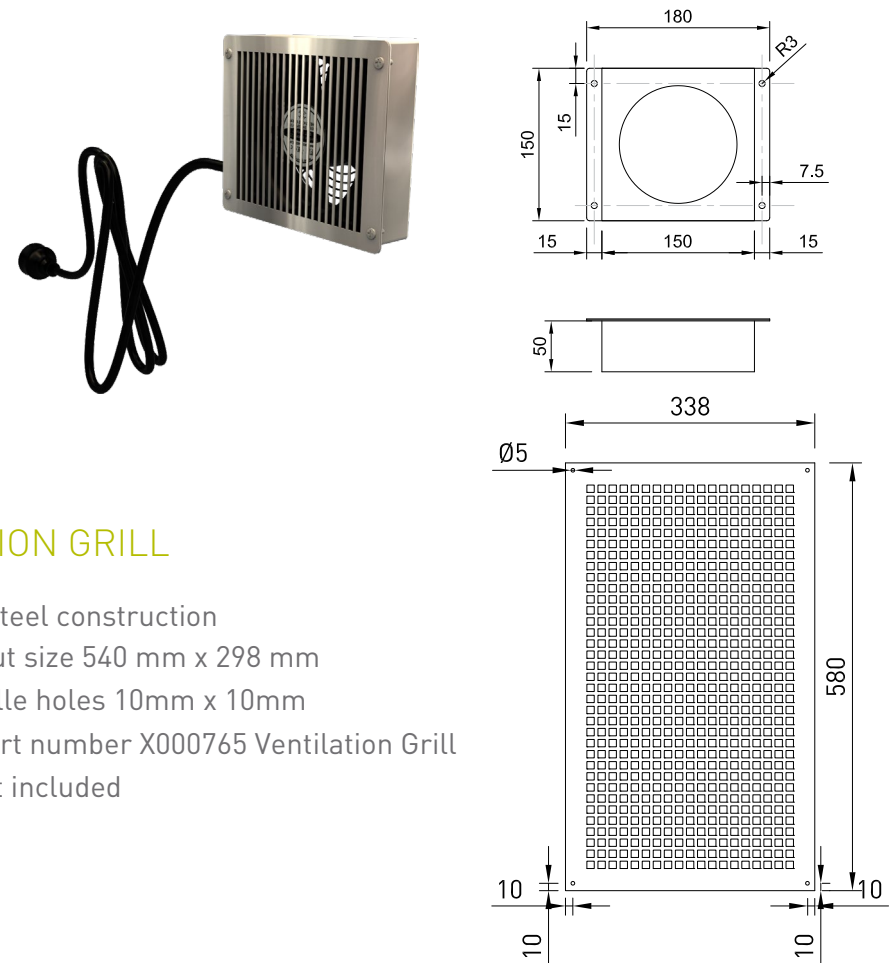
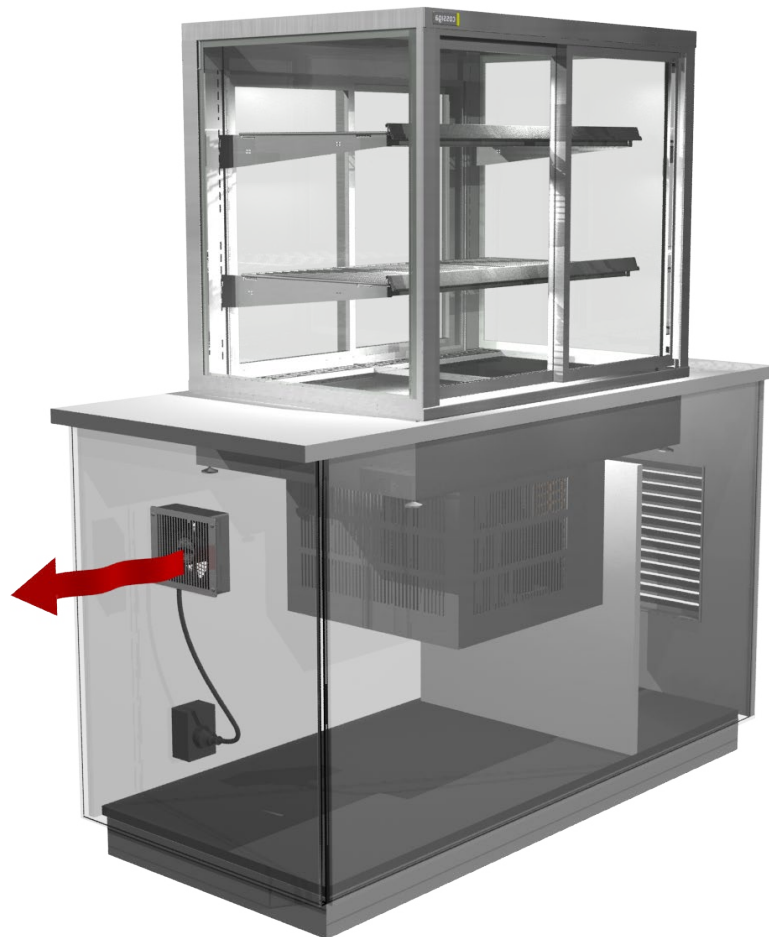
- Horizontal vent in cabinet top for hot air extract
- Electric biscuit fans can also be fitted to provide mechanical extract
- Ambient air ducted in to compressor face through air plenum space
- Joinery divider panel providing sealed air intake plenum with cut out to meet condenser face
- Allow access for cleaning, servicing and waste evaporator water removal



- Ambient air is drawn into front vented area
- Hot air must escape joinery cabinet
- A horizontal vent should be used behind the unit
Vent must be at least 100mm deep and as wide as unit

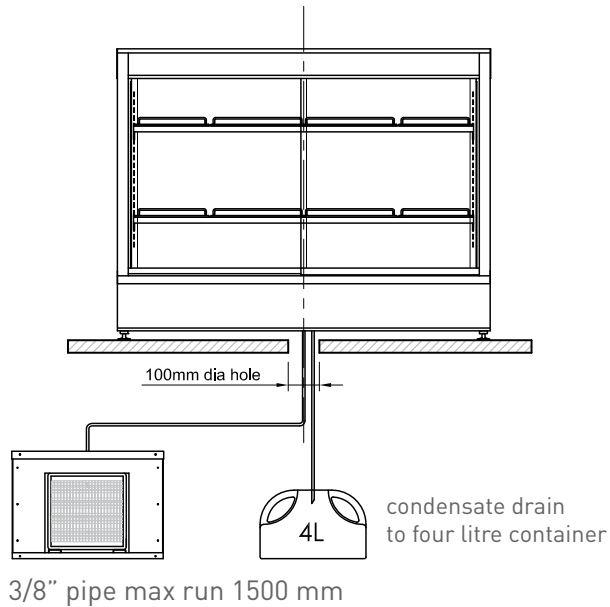
EXTRACTION FAN

- Extract hot air from box joinery
- Fan and power cable supplied, screw fixed to joinery
- Electrical power cord 2000mm 3 pin 10 amp 1 phase socket required
- Fan 230v ~ 50Hz - 60Hz - 19 Watt in stainless steel case
- Cossiga part number X000611 Extraction Fan



VENTILATION GRILL

- Stainless steel construction
 - Hole cut out size 540 mm x 298 mm
 - Square grille holes 10mm x 10mm
- Cossiga part number X000765 Ventilation Grill
Screws not included

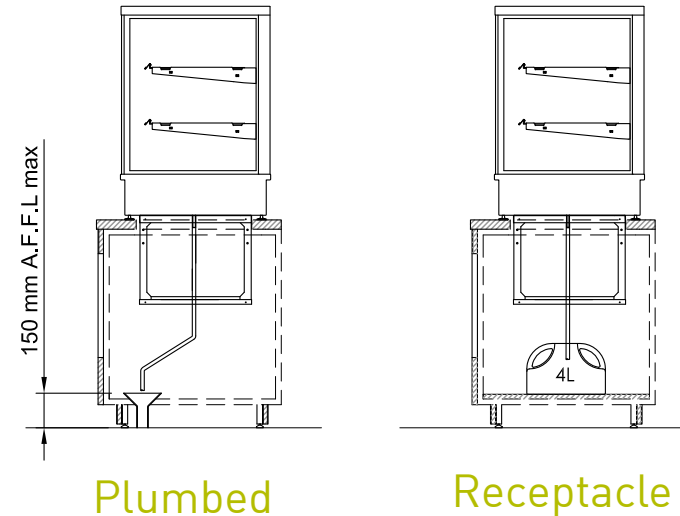


Vertical pipe runs are not recommended

Pipe runs over 150mm :
 Expansion valve will need to be fitted
 Correctly sized condensing unit fitted
 Correct pipe size determined

REMOTE COMPRESSOR INSTALLATION

DRAINAGE RECOMMENDATIONS for high humidity locations



As standard units are self evaporating to a receptacle in the condenser unit. In areas of high humidity it is recommended by-passing the evaporator dish. A plastic hose can be attached to the end of the condensate drain and re-directed as shown.

PLUMBED TUNDISH DRAINAGE

- Maximum 150 mm above finished floor level
- Drainage to building waste
- Building waste by client

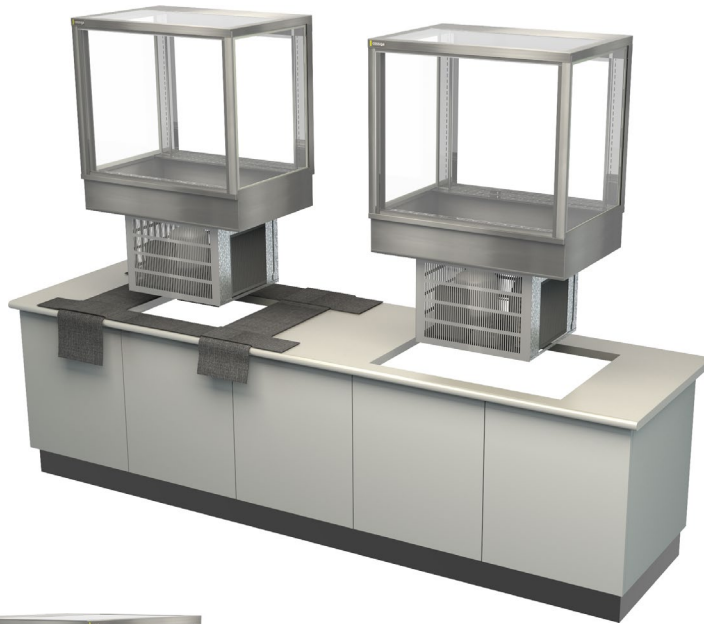
FREE STANDING RECIPIENT

- Receptacle placed under unit to receive condensate waste
- Dispose of waste water daily

TO BE CONSIDERED FOR HIGH HUMIDITY SITES WITH ACCESS TO DRAINAGE

THESE UNITS ARE HEAVY AND REQUIRE LIFTING INTO BENCH TOPS

PROTECT
BENCHTOP ▶



◀ LIFT TO BENCH
AND REST



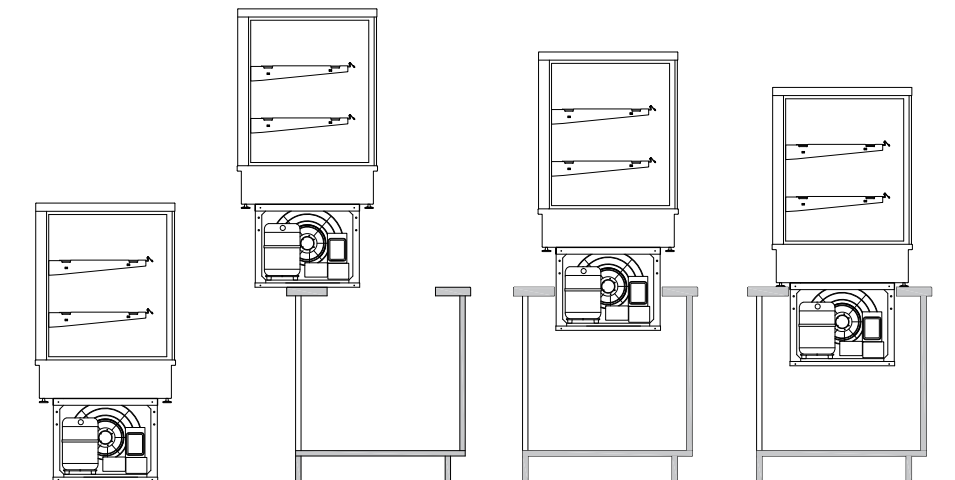
◀ REMOVE

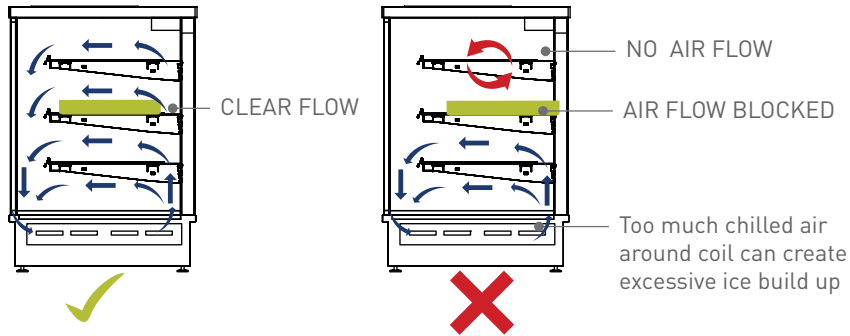
- To reduce weight remove
- All doors
- Shelving
- Base plates

▶ PLAN AHEAD

- Have plenty of labour on hand
- Use a mechanical lifting device - optional
- Check bench top hole measurement
- Ensure enough clear depth in cabinet work
- Protect bench top with a mat or similar
- Pre-adjust unit feet if needed

All accepted local safety work wear and standards should be adhered to with a safety programme developed before undertaking of this kind of lifting work





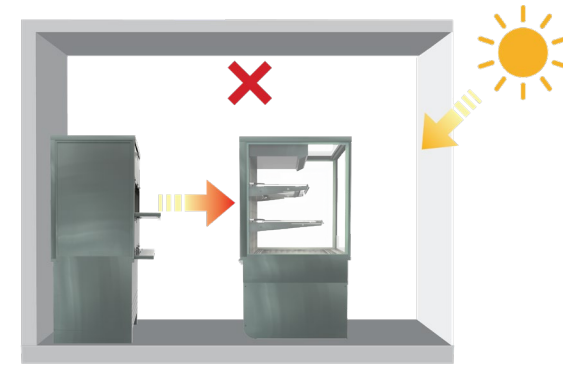
CORRECT AIRFLOW

IN CORRECT AIRFLOW

- Blocked air flow will retard operation on both HOT and COLD units
- Ensure trays or plates are not blocking air flow at rear

Locations to avoid

- Close to shop front exterior
- In an outside location
- In direct sunlight
- In a high wind
- Near any source producing excessive heat
- Service units more frequently in dusty or polluted areas

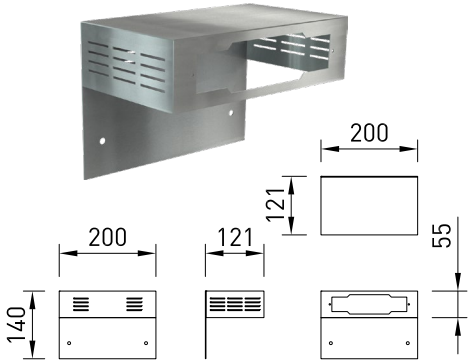


Environmental conditions

Heat from other equipment and natural conditions, such as direct sunlight straight on units, can cause cooling to fail and overload compressor

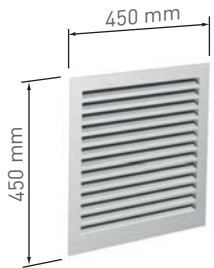
Top Mounted Controller Panel

For against wall installations
Sold individually



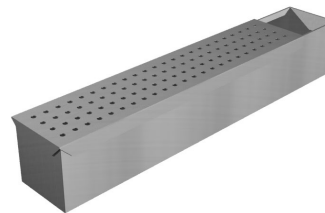
Ventilation Grill

Stainless Steel
Sold individually



Humidity Dish

Stainless Steel
Perforated lid is removable



Base Tray - Heated Units

Stainless Steel
For heated units
Sold in pairs



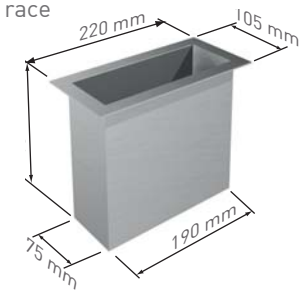
Tong Holder

Stainless Steel
Drop into counter tray race
Sold individually



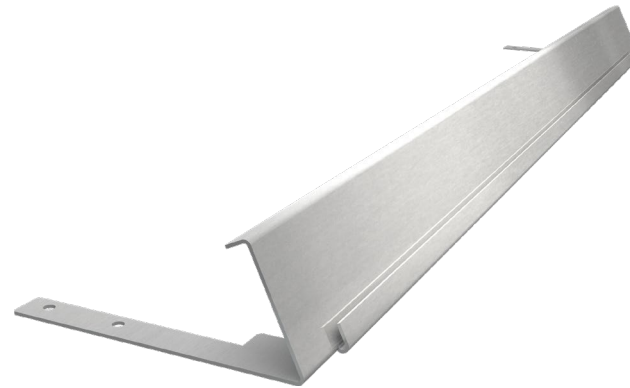
Bag Holder

Stainless Steel
Drop into counter tray race
Sold individually

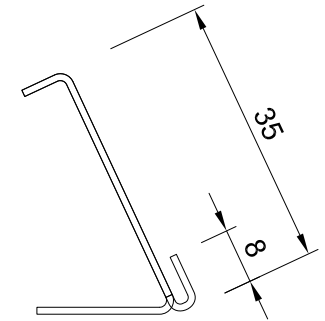




Shelf with ticket strip attached



Ticket Strip
Stainless Steel
Attaches to shelf frame



End Profile

Lengths

| CABINET LENGTH MM | TICKET STRIP LENGTH |
|-------------------|---------------------|
| 600 | 475 |
| 900 | 775 |
| 1200 | 1075 |
| 1500 | 1375 |

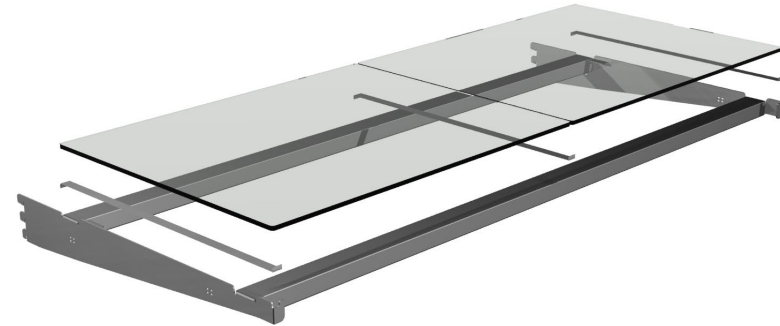
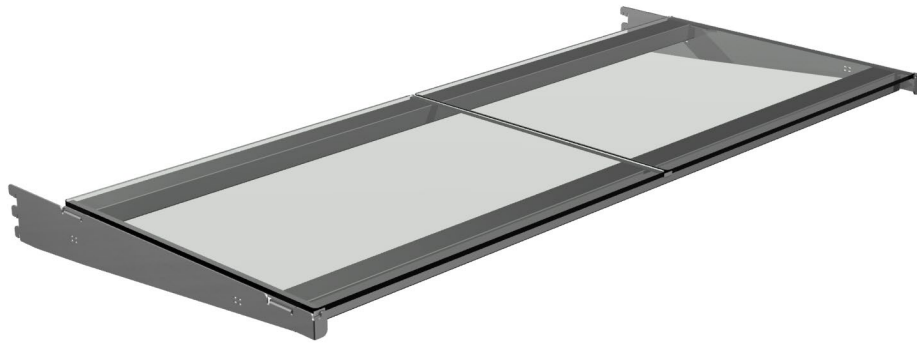
Price Tabs

Stainless Steel
Write on with marker or adhesive tape
Measure 60mm x 30mm
Sold in packs of 20



Glass Shelf Options

Standard wire racks are removed and replaced with 6mm toughened glass panes



Maximum shelf load weight 15kg spread evenly

| MODEL | GLASS | WIDTH MM | DEPTH MM | PER SHELF PANES | SHELVES | TOTAL PANES |
|---------|--------------------------------|----------|----------|-----------------|---------|-------------|
| STGRF6 | 6MM TOUGHENED - POLISHED EDGES | 240 | 385 | 2 | 2 | 4 |
| STGRF9 | 6MM TOUGHENED - POLISHED EDGES | 390 | 385 | 2 | 2 | 4 |
| STGRF12 | 6MM TOUGHENED - POLISHED EDGES | 540 | 385 | 2 | 2 | 4 |
| STGRF15 | 6MM TOUGHENED - POLISHED EDGES | 690 | 385 | 2 | 2 | 4 |
| STGAB6 | 6MM TOUGHENED - POLISHED EDGES | 240 | 385 | 2 | 3 | 6 |
| STGAB9 | 6MM TOUGHENED - POLISHED EDGES | 390 | 385 | 2 | 3 | 6 |
| STGAB12 | 6MM TOUGHENED - POLISHED EDGES | 540 | 385 | 2 | 3 | 6 |



Support bracket

Mirror film

- Applied to the inside glass rear doors
- Suitable for heated and chilled units



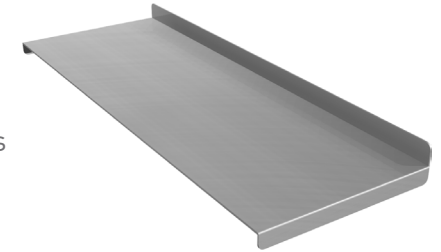
ADDS
DEPTH
TO YOUR
DISPLAYS

BLOCKS
WORK AREAS
BEHIND
UNITS

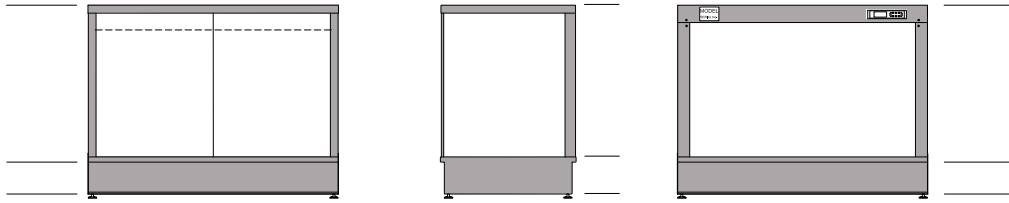
Mirror film adhered to
inside of rear door glass

Pie Trays

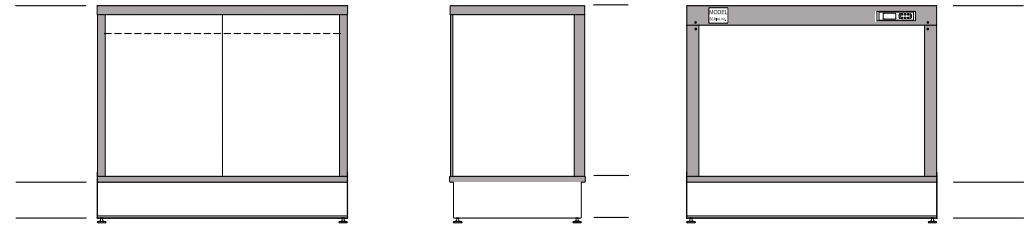
- Stainless Steel Construction
- Placed on shelves for heated food items



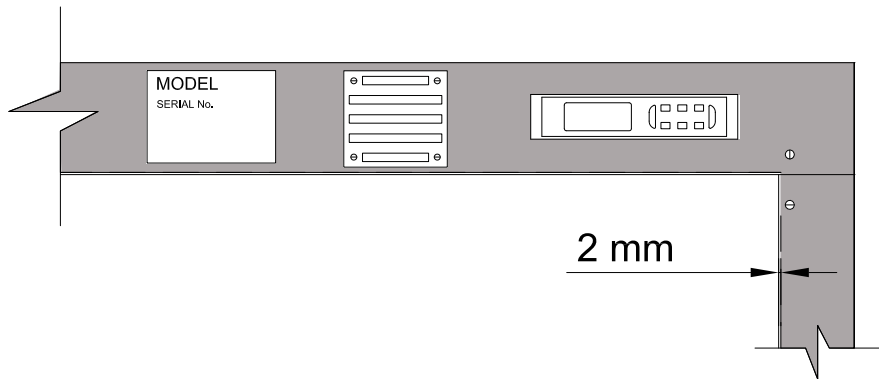
| MODEL | CODE | QUANTITY | PIE TRAYS | | | TOTAL | TRAY WIDTH |
|---------|---------|-------------|-----------------|-----------------|-----------------|----------|------------|
| | | | 1ST SHELF DEPTH | 2ND SHELF DEPTH | 3RD SHELF DEPTH | | |
| STGHT6 | AA16015 | 4 Per Shelf | 400MM | 365MM | 400MM | 12 Trays | 120MM |
| STGHT9 | AA16016 | 6 Per Shelf | 400MM | 400MM | 400MM | 18 Trays | 130MM |
| STGHT12 | AA16017 | 9 Per Shelf | 400MM | 400MM | 400MM | 27 Trays | 120MM |



COUNTER TOP MODEL -
all exterior visible areas covered



all exterior top visible areas covered



2mm gap left around rear frame

Rear of units cut around serial number plate,
exhaust fan and controller

