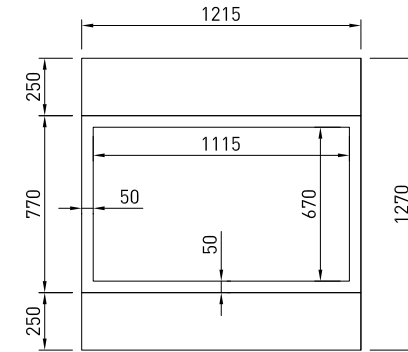


tray race optional extra  
ordered separately



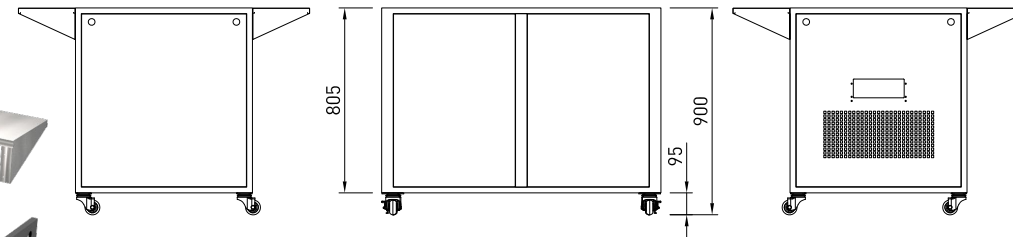
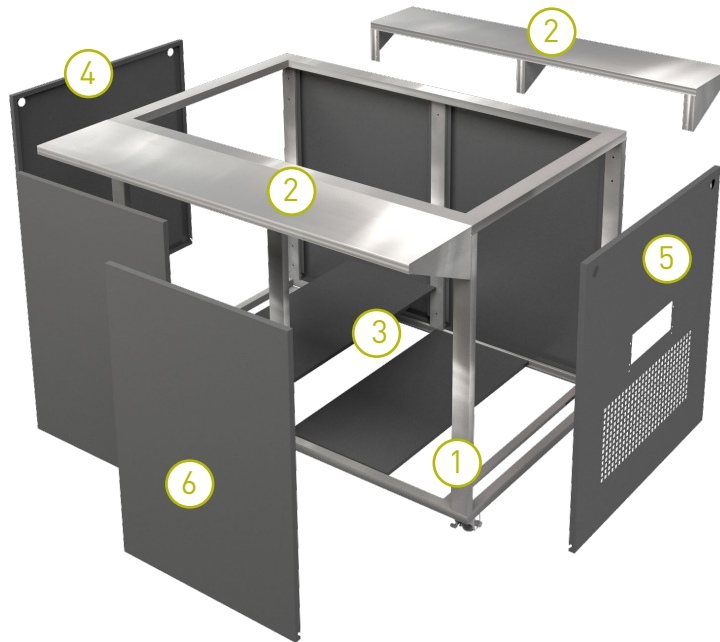
## PRODUCT FEATURES

- Stainless steel frame
- Black colour steel panels
- Lockable castors
- Stainless steel tray race ( optional extra )
- Fits all 3 series LSRF LSBM LSCM units
- Comes in flat pack box sets



## PARTS

PART KEY	PARTS	MODEL AND NUMBER OF PARTS AND CODE
		LCK3
1	FLAT PACK FRAME	1 FF3
2	TRAYRACE optional extra	2 TR3
3	BASE SHELF PIECES *	2 BS3
4	END PANEL	1 PN
5	END PANEL WITH VENT	1 EP
6	FRONT & REAR PANELS	4 FP3



## CABINET DIMENSIONS & SPECIFICATIONS

MODEL	CABINET			
	LENGTH [MM]	DEPTH [MM]	DEPTH WITH 2 X TRAY RACE [MM]	HEIGHT [MM]
LCK3	1215	770	1270	900

## PACKED FOR SHIPPING

MODEL	BOX SIZE AND WEIGHT			
	LENGTH [MM]	DEPTH [MM]	HEIGHT [MM]	WEIGHT KG
LCK3	1330	870	505	65
Tray Race	1285	355	320	12

\* Do not fit base shelf when installing RF unit, this allows airflow

Prior to installation see, installation guidelines, ventilation requirements and drainage options documents

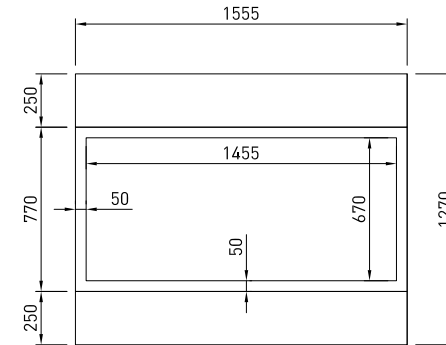
**\*ASSEMBLY REQUIRED**

tray race optional extra  
ordered separately



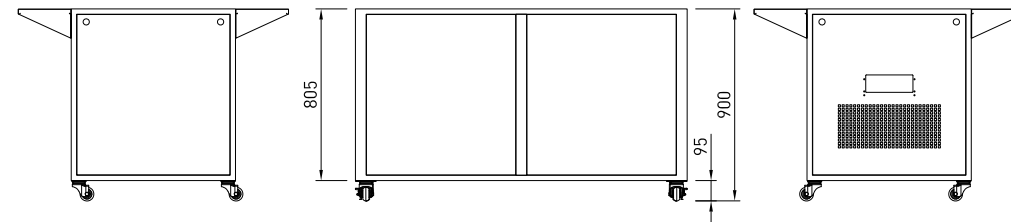
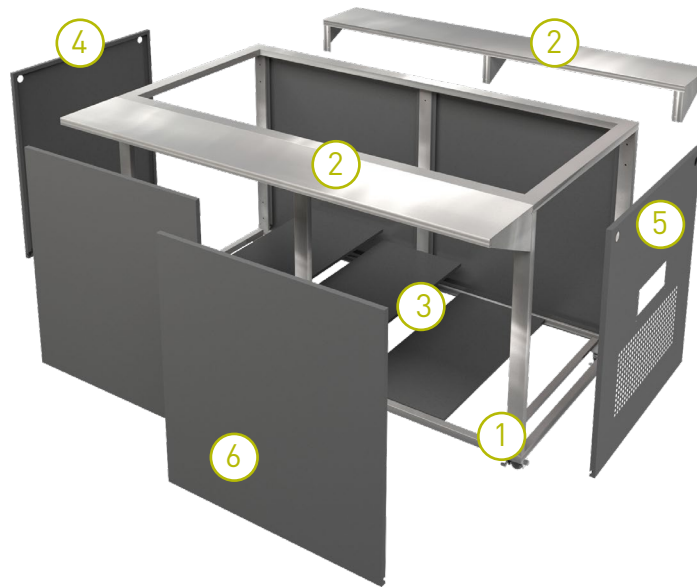
## PRODUCT FEATURES

- Stainless steel frame
- Black colour steel panels
- Lockable castors
- Stainless steel tray race ( optional extra )
- Fits all 4 series LSRF LSBM LSCM units
- Comes in flat pack box sets



## PARTS

PART KEY	PARTS	MODEL AND NUMBER OF PARTS AND CODE
		LSCK4
1	FLAT PACK FRAME	1 FF4
2	TRAYRACE optional extra	2 TR4
3	BASE SHELF PIECES *	3 BS4
4	END PANEL	1 PN
5	END PANEL WITH VENT	1 EP
6	FRONT & REAR PANELS	4 FP4



## CABINET DIMENSIONS & SPECIFICATIONS

MODEL	CABINET			
	LENGTH [MM]	DEPTH [MM]	DEPTH WITH 2 X TRAY RACE [MM]	HEIGHT [MM]
LSCK4	1555	770	1270	900

## PACKED FOR SHIPPING

MODEL	BOX SIZE AND WEIGHT			
	LENGTH [MM]	DEPTH [MM]	HEIGHT [MM]	WEIGHT KG
LSCK4	1600	870	600	73
Tray Race	1600	350	310	15

\* Do not fit base shelf when installing RF unit, this allows airflow

Prior to installation see, installation guidelines, ventilation requirements and drainage options documents

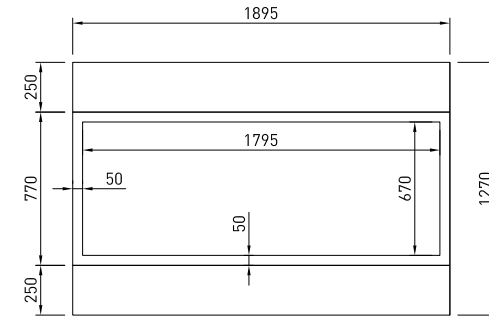
**\*ASSEMBLY REQUIRED**

tray race optional extra  
ordered separately



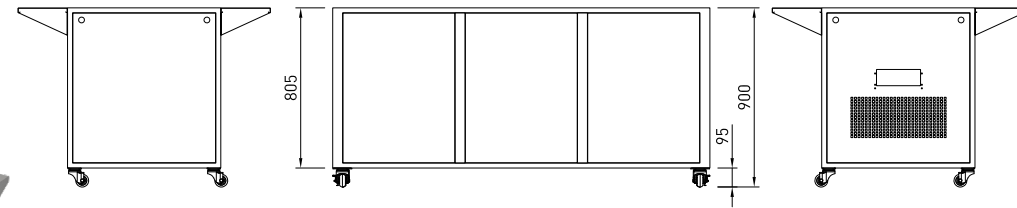
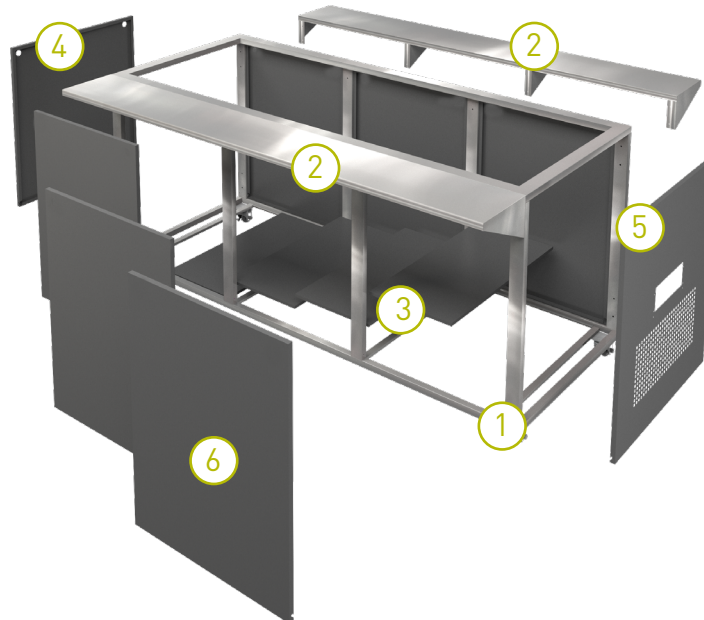
## PRODUCT FEATURES

- Stainless steel frame
- Black colour steel panels
- Lockable castors
- Stainless steel tray race ( optional extra )
- Fits all 5 series LSRF LSBM LSCM units
- Comes in flat pack box sets



## PARTS

PART KEY	PARTS	MODEL AND NUMBER OF PARTS AND CODE
		LSCCK5
1	FLAT PACK FRAME	1 FF5
2	TRAYRACE optional extra	2 TR5
3	BASE SHELF PIECES *	4 BS5
4	END PANEL	1 PN
5	END PANEL WITH VENT	1 EP
6	FRONT & REAR PANELS	2 FP5



## CABINET DIMENSIONS & SPECIFICATIONS

MODEL	CABINET			
	LENGTH [MM]	DEPTH [MM]	DEPTH WITH 2 X TRAY RACE [MM]	HEIGHT [MM]
LSCCK5	1895	770	1270	900

## PACKED FOR SHIPPING

MODEL	BOX SIZE AND WEIGHT			
	LENGTH [MM]	DEPTH [MM]	HEIGHT [MM]	WEIGHT KG
LSCCK5	2005	840	600	85
Tray Race	1965	355	320	18

\* Do not fit base shelf when installing RF unit, this allows airflow

Prior to installation see, installation guidelines, ventilation requirements and drainage options documents

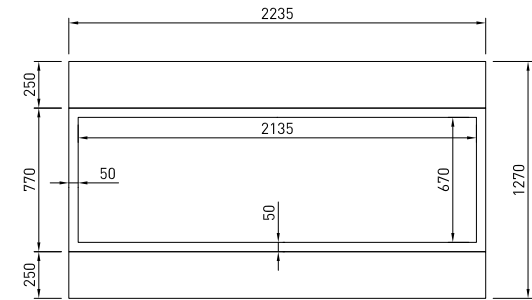
**\*ASSEMBLY REQUIRED**

tray race optional extra  
ordered separately



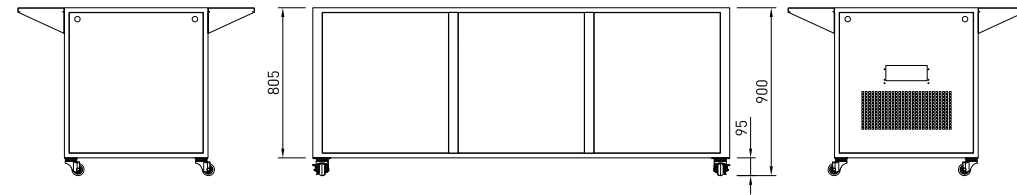
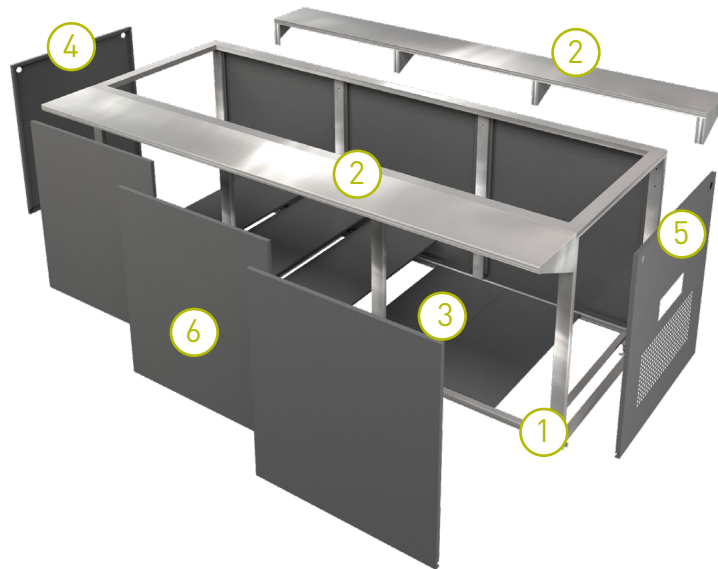
## PRODUCT FEATURES

- Stainless steel frame
- Black colour steel panels
- Lockable castors
- Stainless steel tray race ( optional extra )
- Fits all 6 series LSRF LSBM LSCM units
- Comes in flat pack box sets



## PARTS

PART KEY	PARTS	MODEL AND NUMBER OF PARTS AND CODE
		LCK6
1	FLAT PACK FRAME	1 FF6
2	TRAYRACE optional extra	2 TR6
3	BASE SHELF PIECES *	5 BS6
4	END PANEL	1 PN
5	END PANEL WITH VENT	1 EP
6	FRONT & REAR PANELS	6 FP6



## CABINET DIMENSIONS & SPECIFICATIONS

MODEL	CABINET			
	LENGTH [MM]	DEPTH [MM]	DEPTH WITH 2 X TRAY RACE [MM]	HEIGHT [MM]
LCK6	2235	770	1270	900

## PACKED FOR SHIPPING

MODEL	BOX SIZE AND WEIGHT			
	LENGTH [MM]	DEPTH [MM]	HEIGHT [MM]	WEIGHT KG
LCK6	2345	840	600	97
Tray Race	2305	355	320	20

\* Do not fit base shelf when installing RF unit, this allows airflow

Prior to installation see, installation guidelines, ventilation requirements and drainage options documents

**\*ASSEMBLY REQUIRED**