

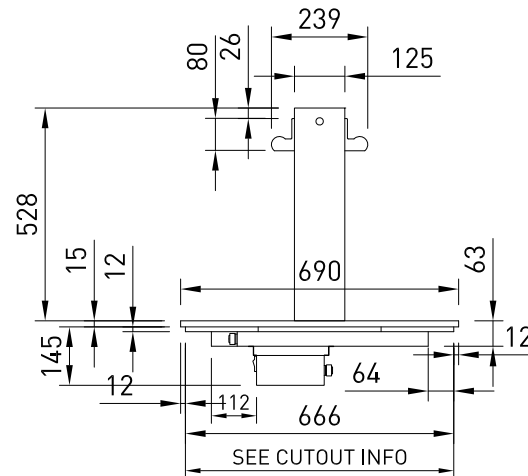
CABINET DIMENSIONS & SPECIFICATIONS

| MODEL | CABINET | | | WEIGHT KG | BENCH TOP CUT OUT HOLE SIZE | TEMP RANGE DEG C | DISPLAY AREA M2 | FREQUENCY | OPERATING CURRENT WITH LAMPS AMPS | OPERATING CURRENT NO LAMPS AMPS | POWER WITH LAMPS KW 230V | CONNECTION ELECTRICAL POWER CORD 3000MM | VOLTAGE | PACKED FOR SHIPPING | | | |
|-------|----------------|---------------|----------------|--------------|-----------------------------------|------------------------|-----------------------|-----------|--|--|--------------------------------------|---|----------|---------------------|---------------|----------------|----------------|
| | LENGTH [MM] | DEPTH [MM] | HEIGHT [MM] | | | | | | | | | | | LENGTH [MM] | DEPTH [MM] | HEIGHT [MM] | WEIGHT [KG] |
| LSCM2 | 805 | 690 | 555 | 65 | 775x672 | 75-95 | 0.33 | 50/60 HZ | 7.9 | 5.2 | 1.9 | 15 AMP LEAD ONLY | 220-240V | 910 | 770 | 410 | 76 |
| LSCM3 | 1145 | 690 | 555 | 65 | 1115x672 | 75-95 | 0.51 | 50/60 HZ | 11.7 | 7.61 | 2.691 | 15 AMP LEAD ONLY | 220-240V | 1250 | 770 | 410 | 88 |
| LSCM4 | 1485 | 690 | 555 | 85 | 1455x672 | 75-95 | 0.68 | 50/60 HZ | 15.7 | 10.25 | 3.611 | 20 AMP LEAD ONLY | 220-240V | 1590 | 770 | 410 | 107 |
| LSCM5 | 1825 | 690 | 555 | 97 | 1795x672 | 75-95 | 0.86 | 50/60 HZ | 19.6 | 12.78 | 4.508 | 20 AMP LEAD ONLY | 220-240V | 1930 | 770 | 410 | 128 |
| LSCM6 | 2165 | 690 | 555 | 109 | 2135x672 | 75-95 | 1.04 | 50/60 HZ | 23.5 | 15.32 | 5.405 | 30 AMP LEAD ONLY | 220-240V | 2270 | 770 | 410 | 140 |

PRODUCT FEATURES

- Ceramic Heated Glass
- Overhead Halogen Lamps
- Digital thermostatic controller
- Heat indicating LED lights

LSCM LEFT SIDE ELEVATION



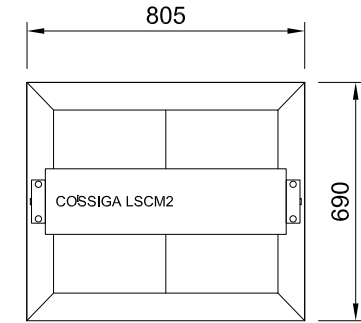
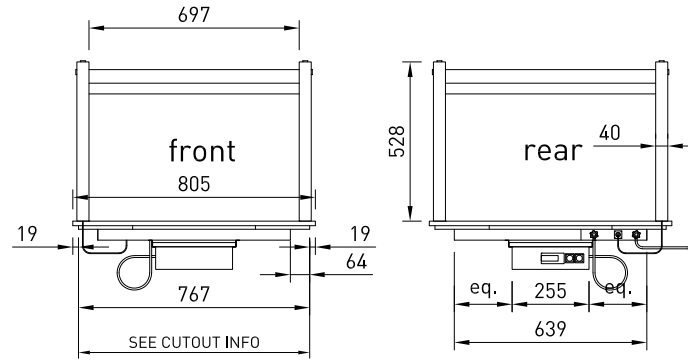
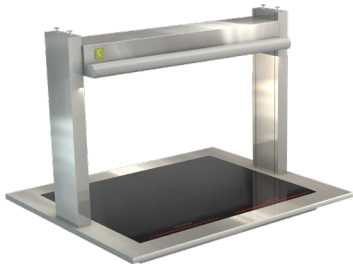
ELECTRICAL POWER

Electrical power cord 3000mm 1 phase connection required.
Unit must be hard wired on site to isolation switch.

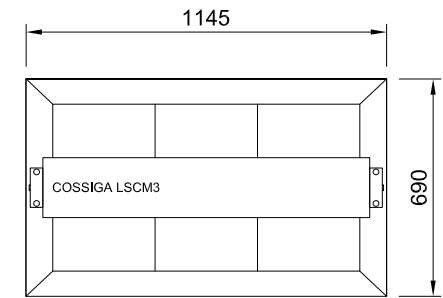
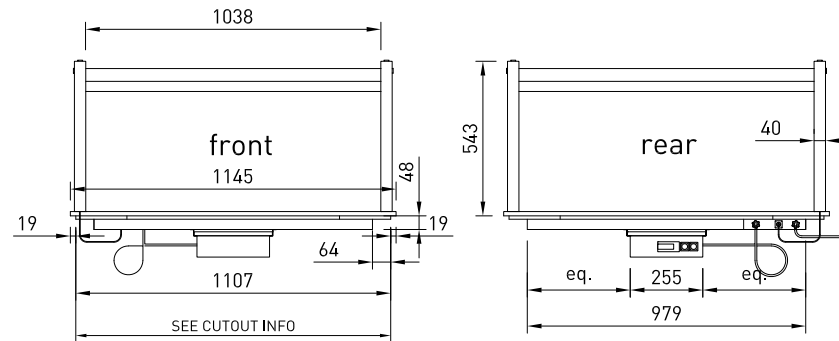
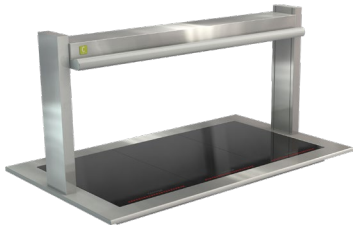
ASSEMBLY REQUIRED

Prior to installation see, installation guidelines, ventilation requirements and drainage options documents

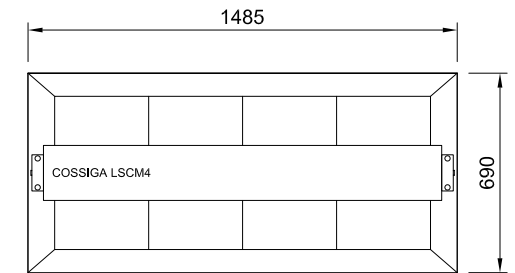
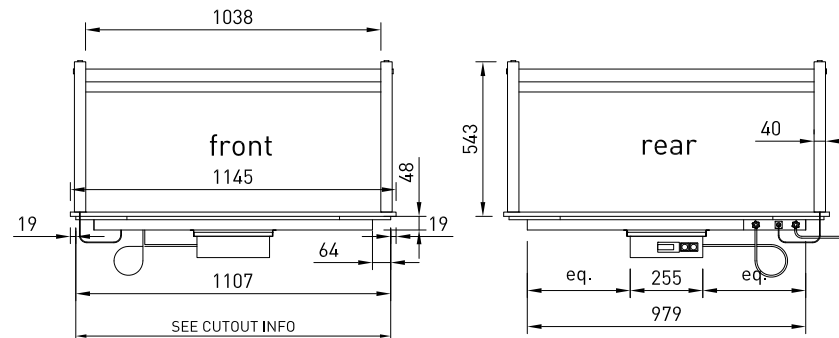
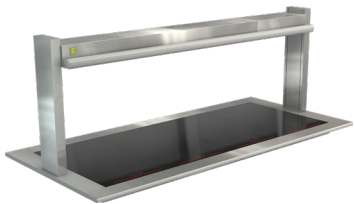
LSCM2



LSCM3

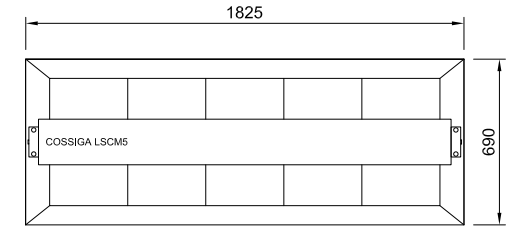
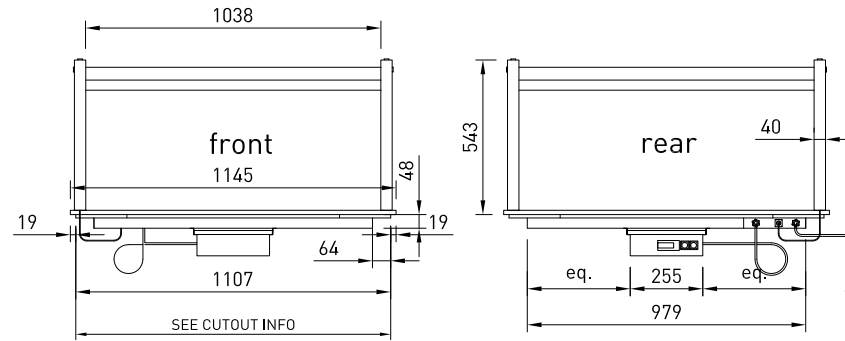
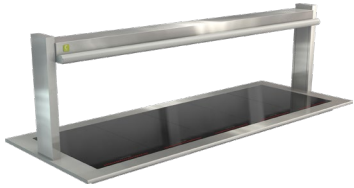


LSCM4

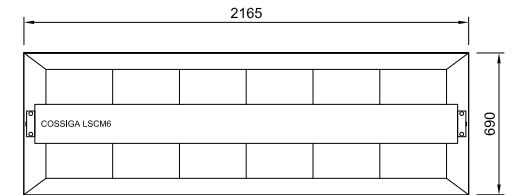
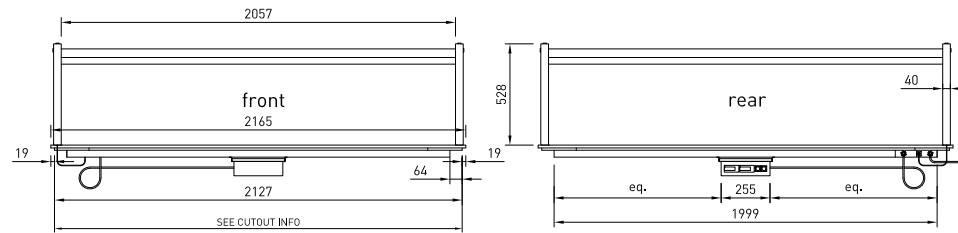
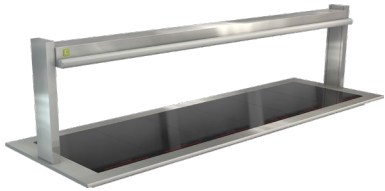


ASSEMBLY REQUIRED

LSCM5



LSCM6



ASSEMBLY REQUIRED

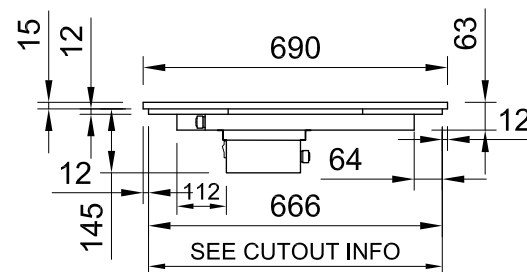
CABINET DIMENSIONS & SPECIFICATIONS

| MODEL | CABINET | | | WEIGHT KG | BENCH TOP CUT OUT HOLE SIZE | TEMP RANGE DEG C | DISPLAY AREA M2 | FREQUENCY | OPERATING CURRENT WITH LAMPS AMPS | OPERATING CURRENT NO LAMPS AMPS | POWER KW 230V | CONNECTION ELECTRICAL POWER CORD 3000MM NZ/AUS/UK | VOLTAGE | PACKED FOR SHIPPING | | | |
|----------|----------------|---------------|----------------|--------------|-----------------------------------|------------------------|-----------------------|-----------|--|--|---------------------|--|----------|---------------------|---------------|----------------|----------------|
| | LENGTH [MM] | DEPTH [MM] | HEIGHT [MM] | | | | | | | | | | | LENGTH [MM] | DEPTH [MM] | HEIGHT [MM] | WEIGHT [KG] |
| LSCM2-NG | 805 | 690 | 555 | 65 | 775x672 | 75-95 | 0.33 | 50/60 HZ | | 5.2 | 1.2 | 15 AMP LEAD ONLY | 220-240V | 910 | 770 | 410 | 76 |
| LSCM3-NG | 1145 | 690 | 555 | 65 | 1115x672 | 75-95 | 0.51 | 50/60 HZ | | 7.61 | 1.75 | 15 AMP LEAD ONLY | 220-240V | 1250 | 770 | 410 | 88 |
| LSCM4-NG | 1485 | 690 | 555 | 85 | 1455x672 | 75-95 | 0.68 | 50/60 HZ | | 10.25 | 2.36 | 20 AMP LEAD ONLY | 220-240V | 1590 | 770 | 410 | 107 |
| LSCM5-NG | 1825 | 690 | 555 | 97 | 1795x672 | 75-95 | 0.86 | 50/60 HZ | | 12.78 | 2.94 | 20 AMP LEAD ONLY | 220-240V | 1930 | 770 | 410 | 128 |
| LSCM6-NG | 2165 | 690 | 555 | 109 | 2135x672 | 75-95 | 1.04 | 50/60 HZ | | 15.32 | 3.52 | 30 AMP LEAD ONLY | 220-240V | 2270 | 770 | 410 | 140 |

PRODUCT FEATURES

- Ceramic Heated Glass
- Overhead Halogen Lamps
- Digital thermostatic controller
- Heat indicating LED lights

LSCM-NG LEFT SIDE ELEVATION



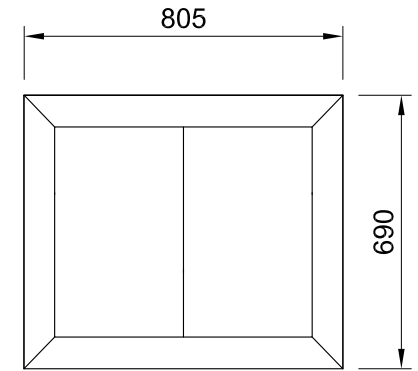
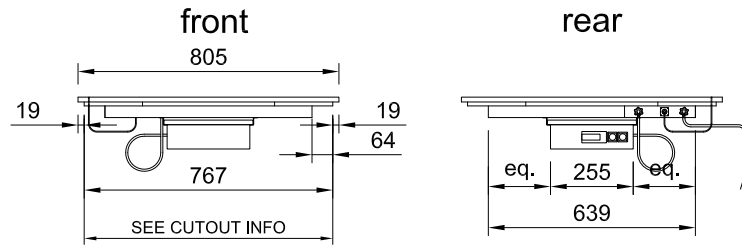
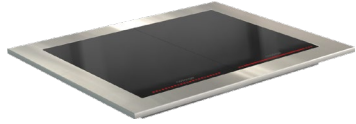
ELECTRICAL POWER

Electrical power cord 3000mm 1 phase connection required.
Unit must be hard wired on site to isolation switch.

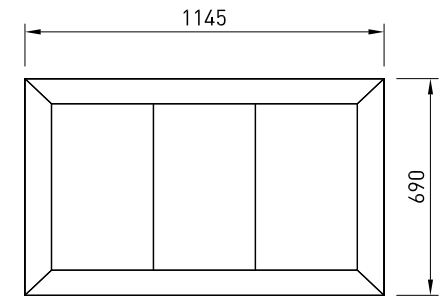
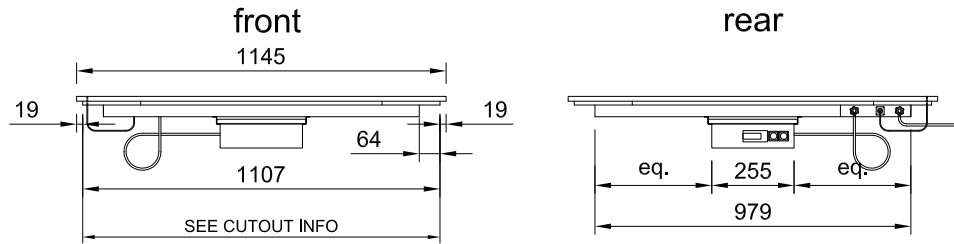
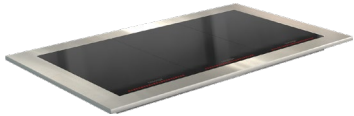
ASSEMBLY REQUIRED

Prior to installation see, installation guidelines, ventilation requirements and drainage options documents

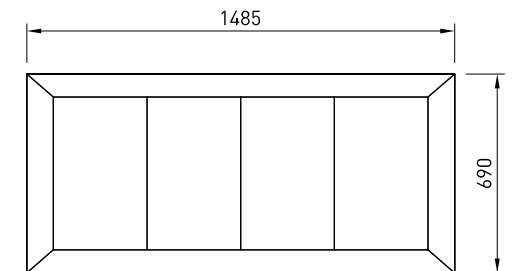
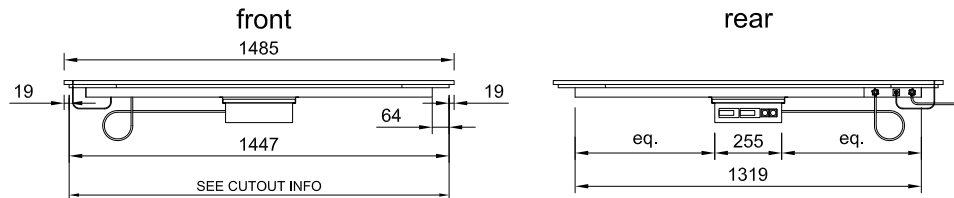
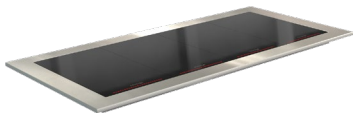
LSCM2-NG



LSCM3-NG

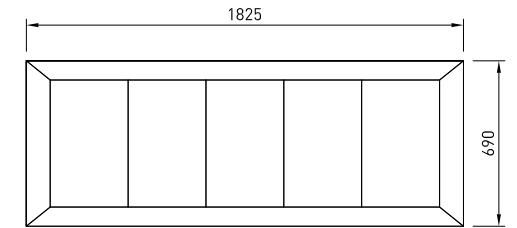
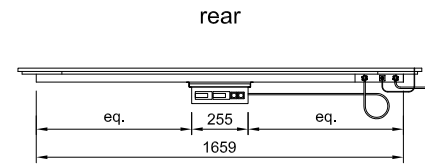
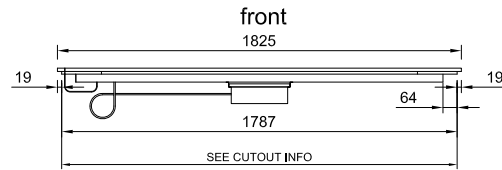
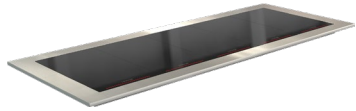


LSCM4-NG

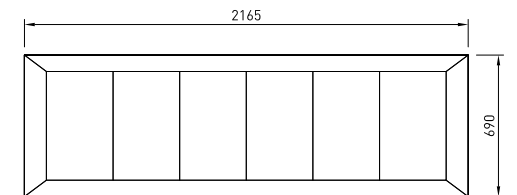
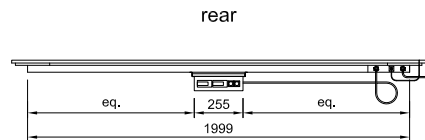
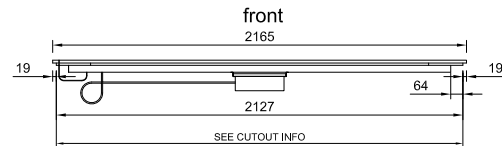
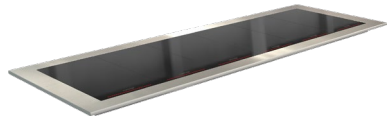


ASSEMBLY REQUIRED

LSCM5-NG



LSCM6-NG



ASSEMBLY REQUIRED

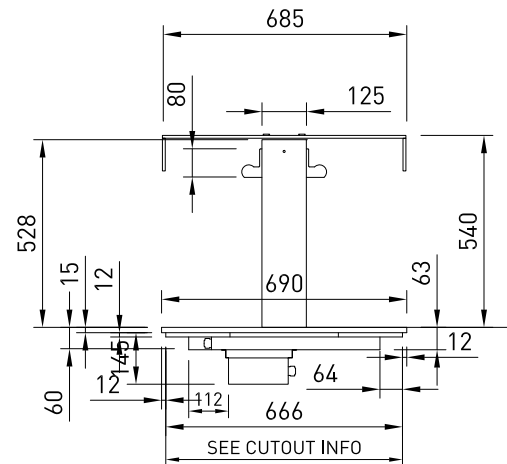
CABINET DIMENSIONS & SPECIFICATIONS

| MODEL | CABINET | | | WEIGHT KG | BENCH TOP CUT OUT HOLE SIZE | TEMP RANGE DEG C | DISPLAY AREA M2 | FREQUENCY | OPERATING CURRENT WITH LAMPS AMPS | OPERATING CURRENT NO LAMPS AMPS | POWER WITH LAMPS KW 230V | CONNECTION ELECTRICAL POWER CORD 3000MM NZ/AUS/UK | VOLTAGE | PACKED FOR SHIPPING | | | |
|----------|----------------|---------------|----------------|--------------|-----------------------------------|------------------------|-----------------------|-----------|--|--|--------------------------------------|--|----------|---------------------|---------------|----------------|----------------|
| | LENGTH [MM] | DEPTH [MM] | HEIGHT [MM] | | | | | | | | | | | LENGTH [MM] | DEPTH [MM] | HEIGHT [MM] | WEIGHT [KG] |
| LSCM2-FT | 805 | 690 | 555 | 65 | 775x672 | 75-95 | 0.33 | 50/60 HZ | 7.9 | 5.2 | 1.9 | 15 AMP LEAD ONLY | 220-240V | 910 | 770 | 410 | 76 |
| LSCM3-FT | 1145 | 690 | 555 | 65 | 1115x672 | 75-95 | 0.51 | 50/60 HZ | 11.7 | 7.61 | 2.691 | 15 AMP LEAD ONLY | 220-240V | 1250 | 770 | 410 | 88 |
| LSCM4-FT | 1485 | 690 | 555 | 85 | 1455x672 | 75-95 | 0.68 | 50/60 HZ | 15.7 | 10.25 | 3.611 | 20 AMP LEAD ONLY | 220-240V | 1590 | 770 | 410 | 107 |
| LSCM5-FT | 1825 | 690 | 555 | 97 | 1795x672 | 75-95 | 0.86 | 50/60 HZ | 19.6 | 12.78 | 4.508 | 20 AMP LEAD ONLY | 220-240V | 1930 | 770 | 410 | 128 |
| LSCM6-FT | 2165 | 690 | 555 | 109 | 2135x672 | 75-95 | 1.04 | 50/60 HZ | 23.5 | 15.32 | 5.405 | 30 AMP LEAD ONLY | 220-240V | 2270 | 770 | 410 | 140 |

PRODUCT FEATURES

- Ceramic Heated Glass
- Overhead Halogen Lamps
- Digital thermostatic controller
- Heat indicating LED lights

LSCM-FT LEFT SIDE ELEVATION



ELECTRICAL POWER

Electrical power cord 3000mm 1 phase connection required.
Unit must be hard wired on site to isolation switch.

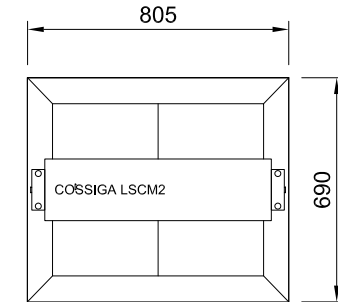
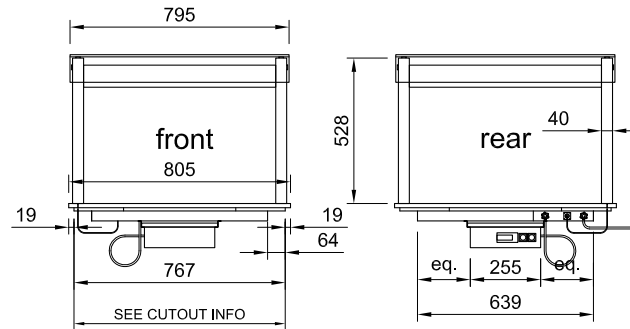
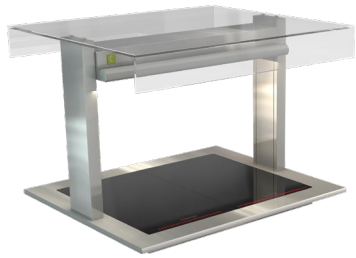
ASSEMBLY REQUIRED

Prior to installation see, installation guidelines, ventilation requirements and drainage options documents

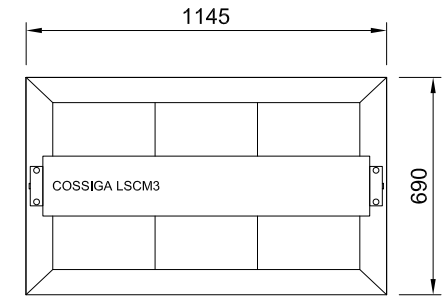
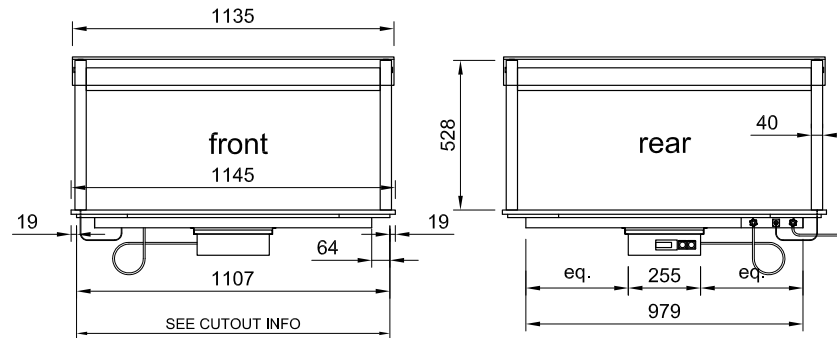
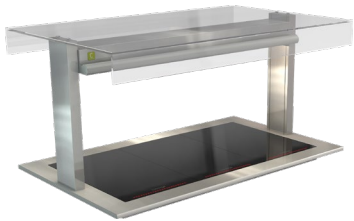
LSCM-FT LINEAR SERIES - CERAMIC HEATED GLASS - Flat Top Sneeze Guard

COSSIGA

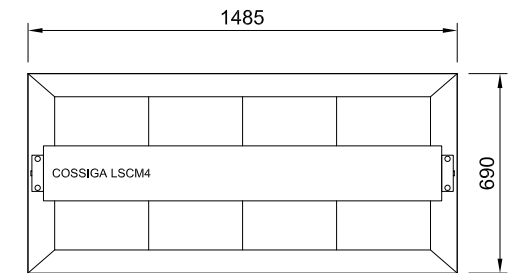
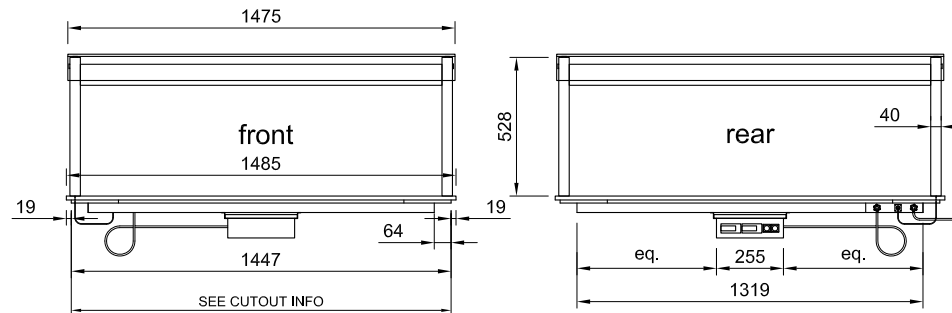
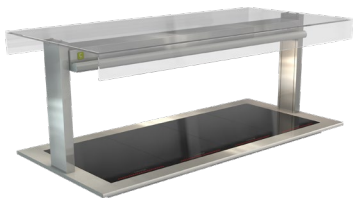
LSCM2-FT



LSCM3-FT



LSCM4-FT

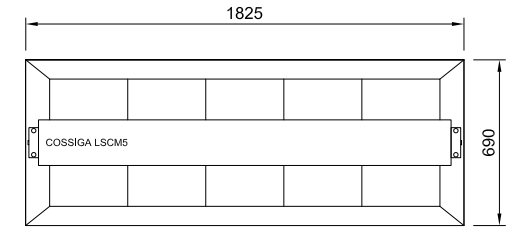
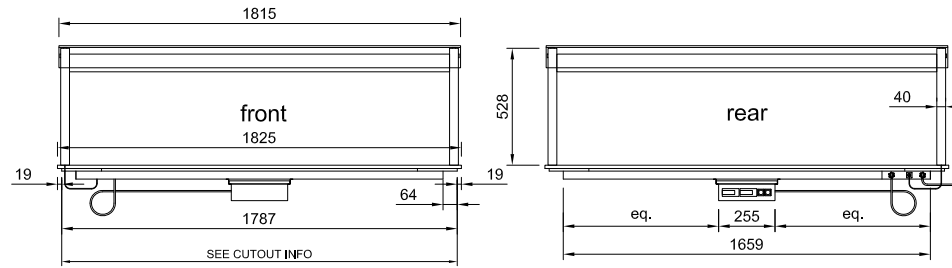
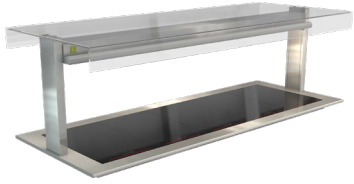


ASSEMBLY REQUIRED

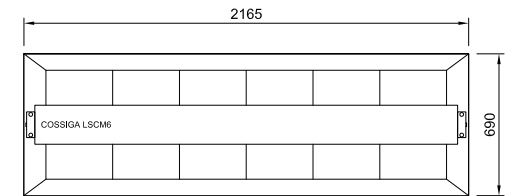
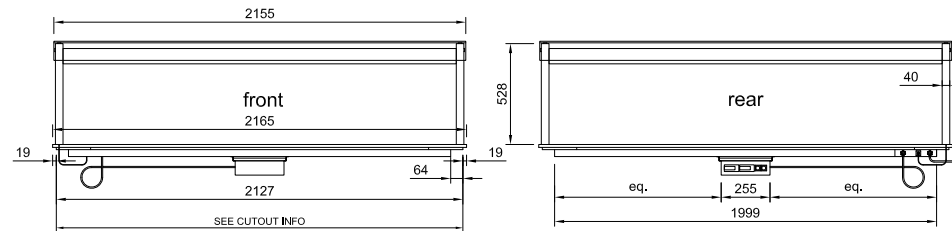
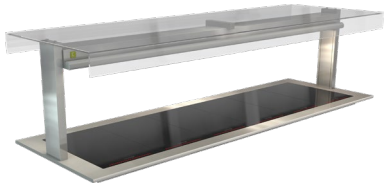
LSCM-FT LINEAR SERIES - CERAMIC HEATED GLASS - Flat Top Sneeze Guard

COSSIGA

LSCM5-FT



LSCM6-FT



ASSEMBLY REQUIRED

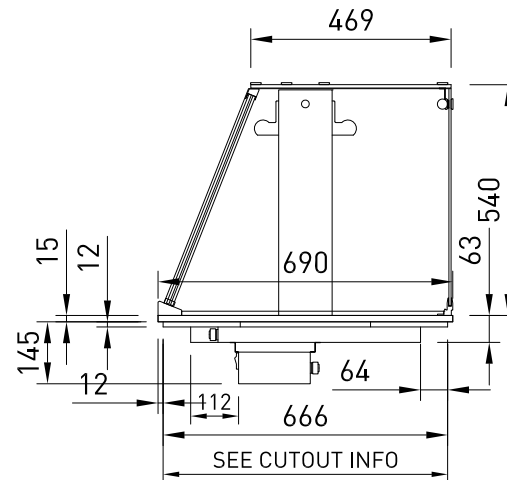
CABINET DIMENSIONS & SPECIFICATIONS

| MODEL | CABINET | | | WEIGHT KG | BENCH TOP CUT OUT HOLE SIZE | TEMP RANGE DEG C | DISPLAY AREA M2 | FREQUENCY | OPERATING CURRENT WITH LAMPS AMPS | OPERATING CURRENT NO LAMPS AMPS | POWER WITH LAMPS KW 230V | CONNECTION ELECTRICAL POWER CORD 3000MM NZ/AUS/UK | VOLTAGE | PACKED FOR SHIPPING | | | |
|----------|----------------|---------------|----------------|--------------|-----------------------------------|------------------------|-----------------------|-----------|--|--|--------------------------------------|--|----------|---------------------|---------------|----------------|----------------|
| | LENGTH [MM] | DEPTH [MM] | HEIGHT [MM] | | | | | | | | | | | LENGTH [MM] | DEPTH [MM] | HEIGHT [MM] | WEIGHT [KG] |
| LSCM2-FS | 805 | 690 | 555 | 65 | 775x672 | 75-95 | 0.33 | 50/60 HZ | 7.9 | 5.2 | 1.9 | 15 AMP LEAD ONLY | 220-240V | 910 | 770 | 410 | 76 |
| LSCM3-FS | 1145 | 690 | 555 | 65 | 1115x672 | 75-95 | 0.51 | 50/60 HZ | 11.7 | 7.61 | 2.691 | 15 AMP LEAD ONLY | 220-240V | 1250 | 770 | 410 | 88 |
| LSCM4-FS | 1485 | 690 | 555 | 85 | 1455x672 | 75-95 | 0.68 | 50/60 HZ | 15.7 | 10.25 | 3.611 | 20 AMP LEAD ONLY | 220-240V | 1590 | 770 | 410 | 107 |
| LSCM5-FS | 1825 | 690 | 555 | 97 | 1795x672 | 75-95 | 0.86 | 50/60 HZ | 19.6 | 12.78 | 4.508 | 20 AMP LEAD ONLY | 220-240V | 1930 | 770 | 410 | 128 |
| LSCM6-FS | 2165 | 690 | 555 | 109 | 2135x672 | 75-95 | 1.04 | 50/60 HZ | 23.5 | 15.32 | 5.405 | 30 AMP LEAD ONLY | 220-240V | 2270 | 770 | 410 | 140 |

PRODUCT FEATURES

- Ceramic Heated Glass
- Overhead Halogen Lamps
- Digital thermostatic controller
- Heat indicating LED lights

LSCM-FS LEFT SIDE ELEVATION



ELECTRICAL POWER

Electrical power cord 3000mm 1 phase connection required.
Unit must be hard wired on site to isolation switch.

ASSEMBLY REQUIRED

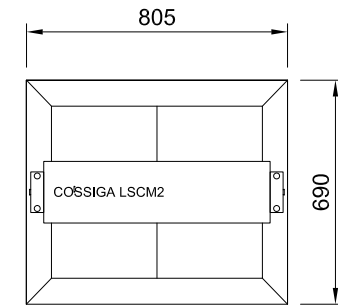
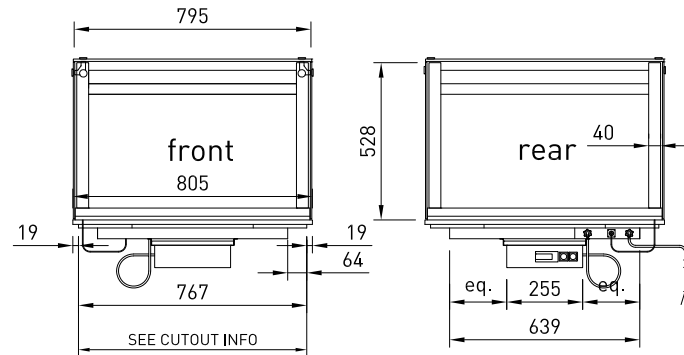
Prior to installation see, installation guidelines, ventilation requirements and drainage options documents

LSCM-FS

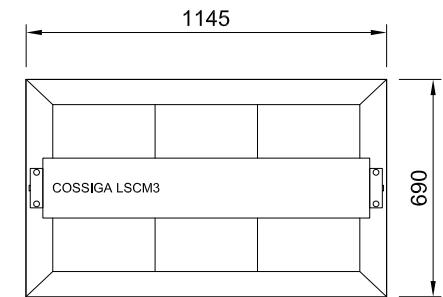
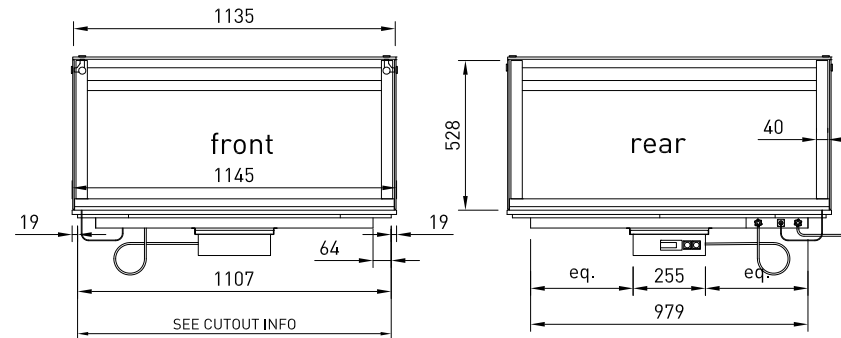
LINEAR SERIES - CERAMIC HEATED GLASS - Full Square Glass Canopy

COSSIGA

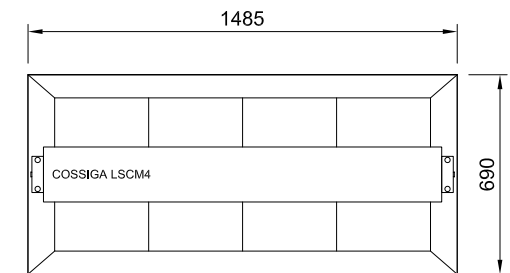
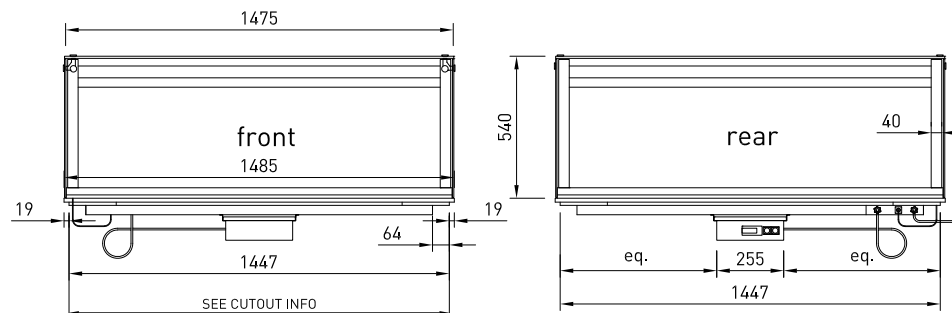
LSCM2-FS



LSCM3-FS



LSCM4-FS



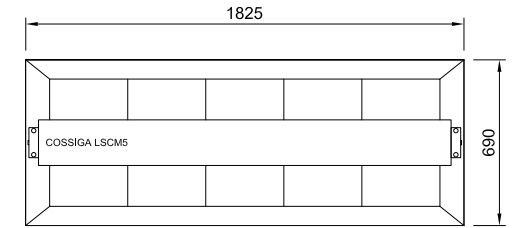
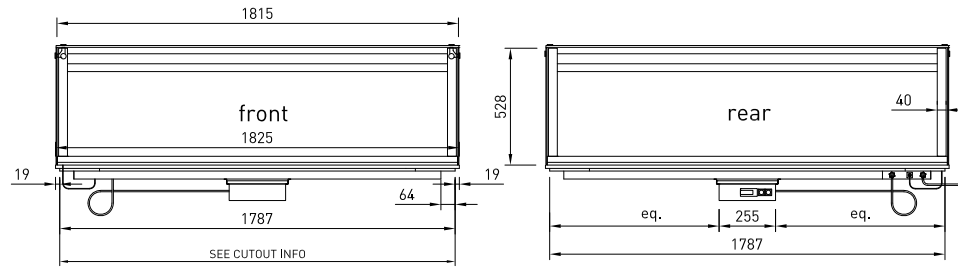
ASSEMBLY REQUIRED

LSCM-FS

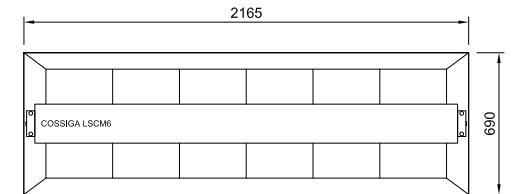
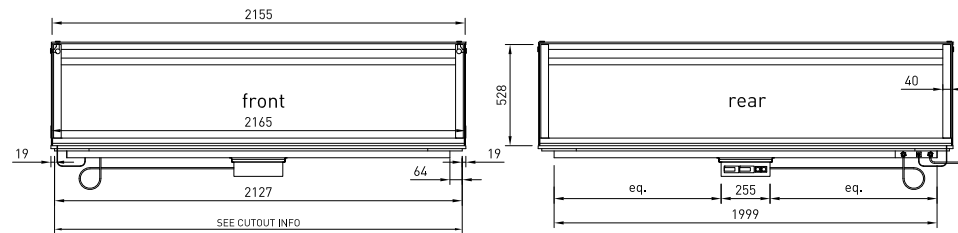
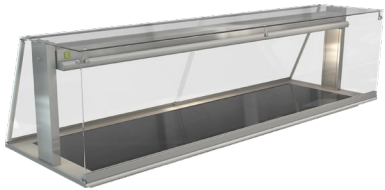
LINEAR SERIES - CERAMIC HEATED GLASS - Full Square Glass Canopy

COSSIGA

LSCM5-FS



LSCM6-FS



ASSEMBLY REQUIRED