

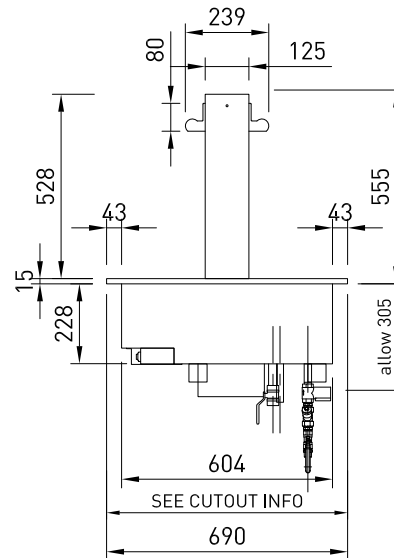
CABINET DIMENSIONS & SPECIFICATIONS

| MODEL | CABINET | | | | | PANS | WATER FILL | TEMP | DISPLAY AREA | POWER | | CONNECTION ELECTRICAL POWER CORD 3000MM | VOLTAGE | PACKED FOR SHIPPING | | | |
|-------|-------------|------------|-------------|-------------|----------|-----------------------------|------------|--------|--------------|--------|-------|---|----------|---------------------|---------|----------------|-----------|
| | LENGTH [MM] | DEPTH [MM] | HEIGHT [MM] | WEIGHT [KG] | CUT OUTS | | | | | LITERS | DEG C | | | M2 | KW 230V | AMPS WITH LAMP | NZ/AUS/UK |
| LSBM3 | 1145 | 690 | 555 | 86 | 1120X635 | 3 x 1/1 65mm Gastro Pans | 57 | 75 -95 | 0.53 | 3.45 | 15 | 20 AMP LEAD ONLY | 220-240V | 1250 | 770 | 670 | 86 |
| LSBM4 | 1485 | 690 | 555 | 106 | 1460X635 | 4 x 1/1 65mm Gastro Pans | 75 | 75 -95 | 0.73 | 4.30 | 18.7 | 30 AMP LEAD ONLY | 220-240V | 1590 | 770 | 670 | 106 |
| LSBM5 | 1825 | 690 | 555 | 121 | 1800X635 | 5 x 1/1 65mm Gastro Pans | 93 | 75 -95 | 0.92 | 5.75 | 25 | 30 AMP LEAD ONLY | 220-240V | 1930 | 770 | 670 | 121 |
| LSBM6 | 2165 | 690 | 555 | 140 | 2140X635 | 6 x 1/1 65mm Gastro Pans | 113 | 75 -95 | 1.10 | 6.56 | 28.5 | 40 AMP LEAD ONLY | 220-240V | 2270 | 770 | 670 | 140 |

PRODUCT FEATURES

- Dual purpose used wet or dry
- Auto Fill - Dry elements
- Overhead halogen lights
- with adjustable dimmer
- Full size pans 65mm deep supplied (max 100mm)

LSBM LEFT SIDE ELEVATION



GASTRO PANS

Units supplied with 1/1 pans at 65mm deep, max pan depth is 100mm

ELECTRICAL POWER

Electrical power cord 3000mm 1 phase connection required. Unit must be hard wired on site to isolation switch.

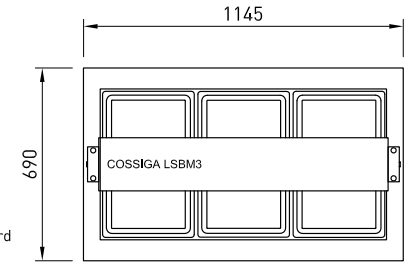
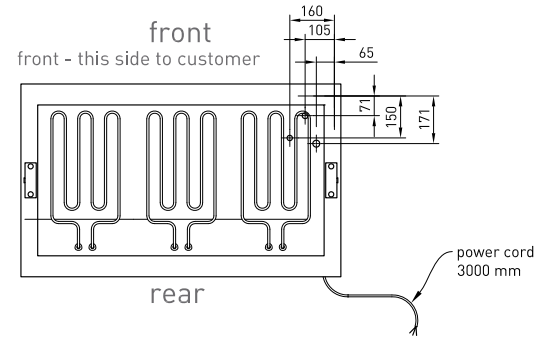
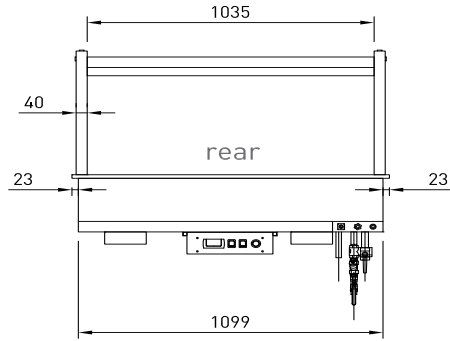
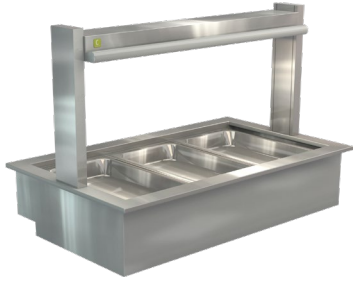
WATER DRAINAGE

Screw on stop cock valve drain pipe Ideally drain connected to waste. Overflow flexible waste pipe 19mm dia.1000 mm length from spigot must be connected to waste.

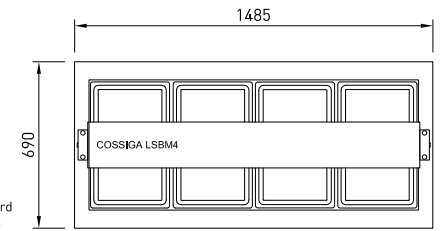
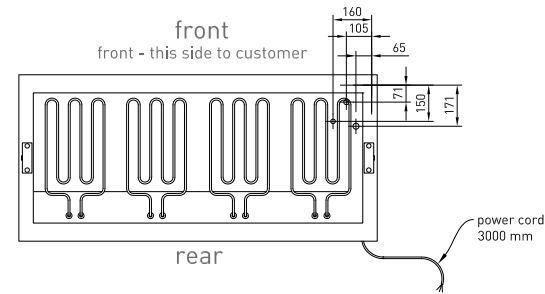
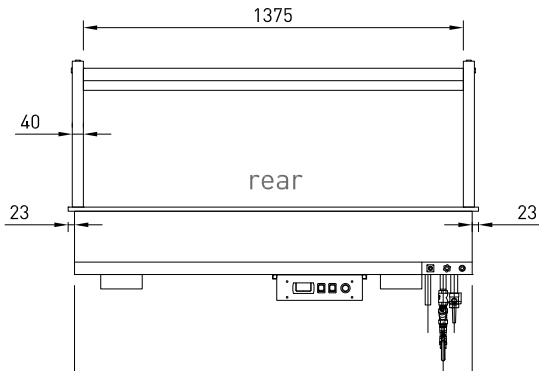
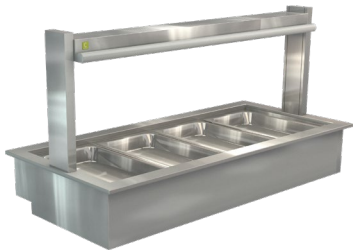
ASSEMBLY REQUIRED

Prior to installation see, installation guidelines, ventilation requirements and drainage options documents

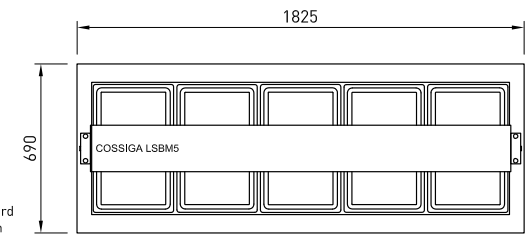
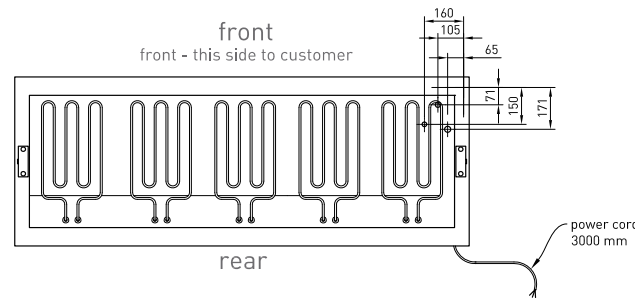
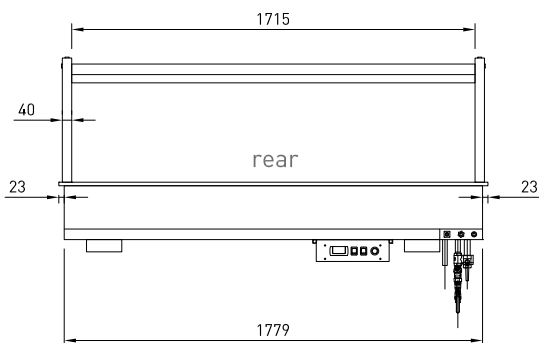
LSBM3



LSBM4

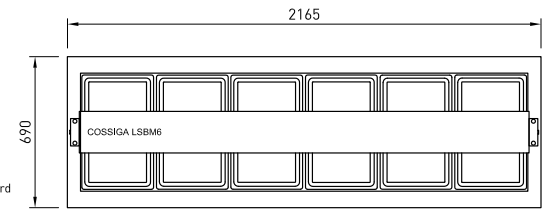
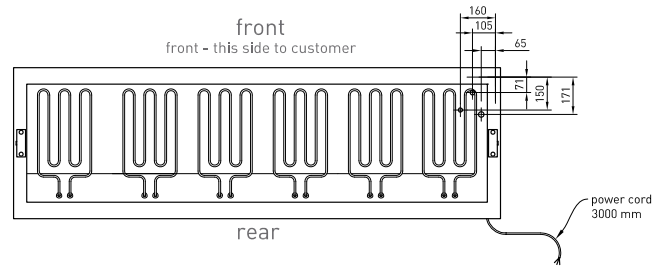
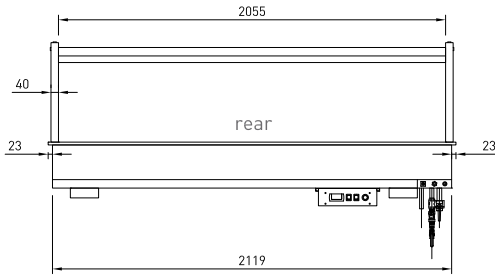
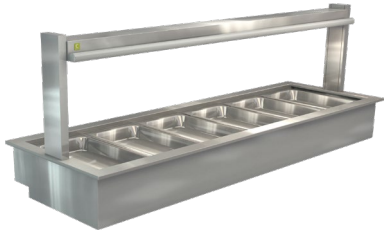


LSBM5



ASSEMBLY REQUIRED

LSBM6



ASSEMBLY REQUIRED

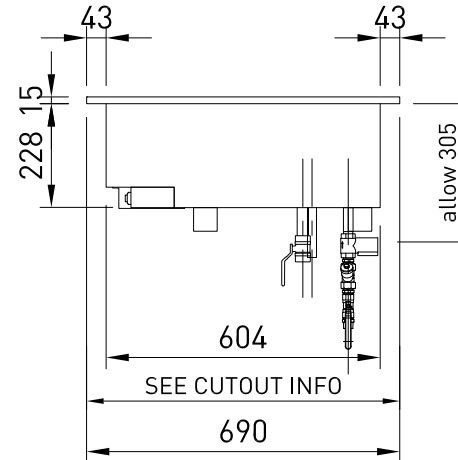
CABINET DIMENSIONS & SPECIFICATIONS

| MODEL | CABINET | | | | | PANS | WATER FILL | TEMP | DISPLAY AREA | POWER | | CONNECTION ELECTRICAL POWER CORD 3000MM | VOLTAGE | PACKED FOR SHIPPING | | | |
|----------|-------------|------------|-------------|-------------|----------|-----------------------------|------------|--------|--------------|--------|-------|---|----------|---------------------|---------|-------------------|-----------|
| | LENGTH [MM] | DEPTH [MM] | HEIGHT [MM] | WEIGHT [KG] | CUT OUTS | | | | | LITERS | DEG C | | | M2 | KW 230V | AMPS NO HEAT LAMP | NZ/AUS/UK |
| LSBM3-NG | 1145 | 690 | 15 | 80 | 1120X635 | 3 x 1/1 65mm Gastro Pans | 57 | 75 -95 | 0.53 | 2.4 | 10.91 | 20 AMP LEAD ONLY | 220-240V | 1250 | 770 | 670 | 86 |
| LSBM4-NG | 1485 | 690 | 15 | 97 | 1460X635 | 4 x 1/1 65mm Gastro Pans | 75 | 75 -95 | 0.73 | 2.91 | 13.25 | 30 AMP LEAD ONLY | 220-240V | 1590 | 770 | 670 | 106 |
| LSBM5-NG | 1825 | 690 | 15 | 119 | 1800X635 | 5 x 1/1 65mm Gastro Pans | 93 | 75 -95 | 0.92 | 4.0 | 17.18 | 30 AMP LEAD ONLY | 220-240V | 1930 | 770 | 670 | 121 |
| LSBM6-NG | 2165 | 690 | 15 | 130 | 2140X635 | 6 x 1/1 65mm Gastro Pans | 113 | 75 -95 | 1.10 | 4.47 | 20.32 | 40 AMP LEAD ONLY | 220-240V | 2270 | 770 | 670 | 140 |

PRODUCT FEATURES

- Dual purpose used wet or dry
- Auto Fill - Dry elements
- Full size pans 65mm deep supplied (max 100mm)

LSBM LEFT SIDE ELEVATION



GASTRO PANS

Units supplied with 1/1 pans at 65mm deep, max pan depth is 100mm

ELECTRICAL POWER

Electrical power cord 3000mm 1 phase connection required. Unit must be hard wired on site to isolation switch.

WATER DRAINAGE

Screw on stop cock valve drain pipe Ideally drain connected to waste. Overflow flexible waste pipe 19mm dia.1000 mm length from spigot must be connected to waste.

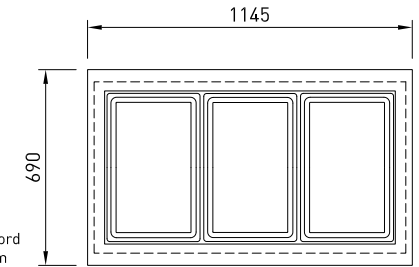
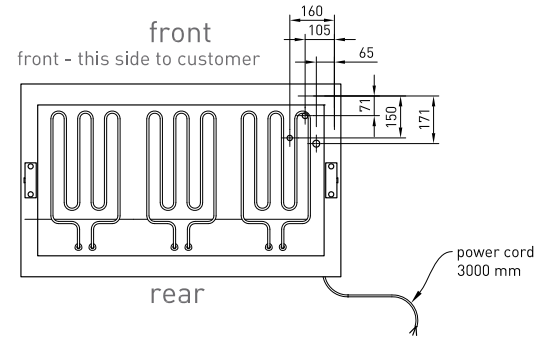
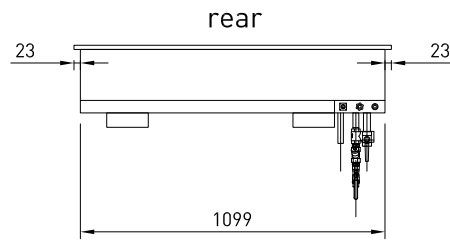
Prior to installation see, installation guidelines, ventilation requirements and drainage options documents

LSBM-NG

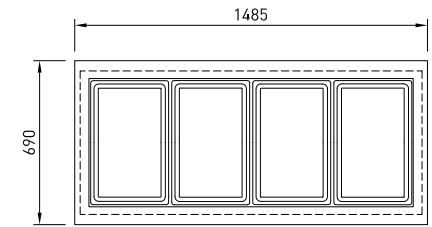
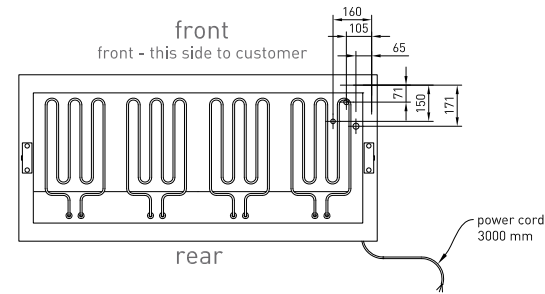
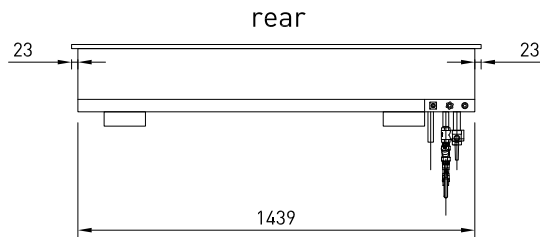
LINEAR SERIES - BAIN MARIE - No Gantry

COSSIGA

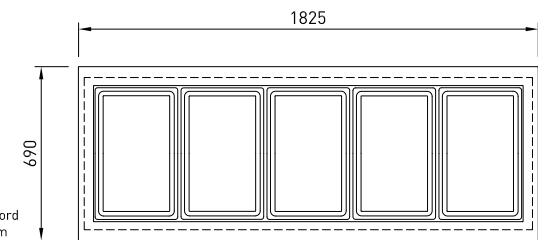
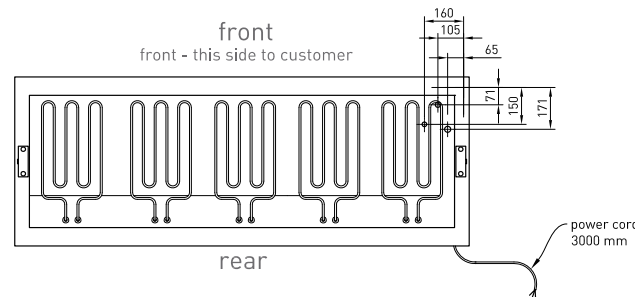
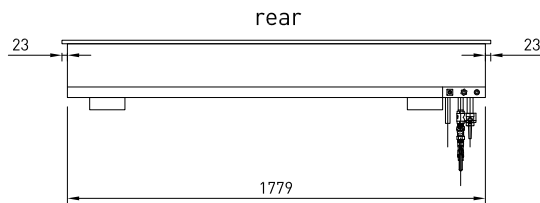
LSBM3-NG



LSBM4-NG



LSBM5-NG

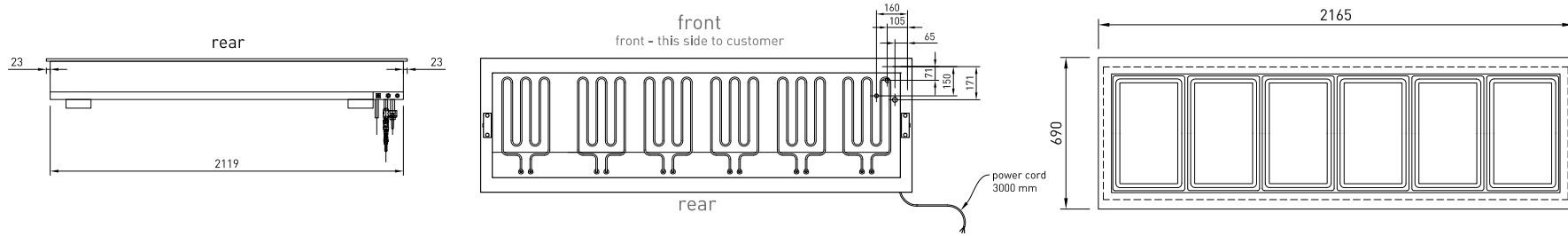


ASSEMBLY REQUIRED

LSBM-NG LINEAR SERIES - BAIN MARIE - No Gantry

COSSIGA

LSBM6-NG



ASSEMBLY REQUIRED

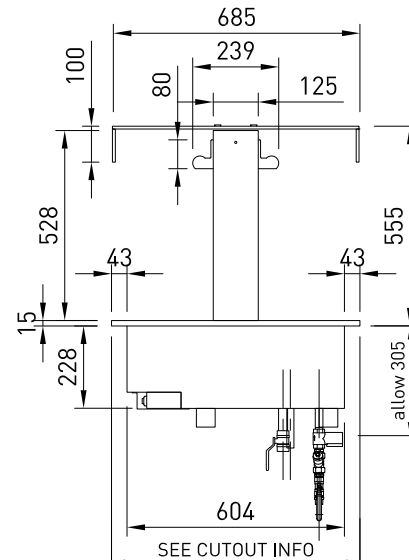
CABINET DIMENSIONS & SPECIFICATIONS

| MODEL | CABINET | | | | CUT OUTS | PANS | WATER FILL | TEMP | DISPLAY AREA | POWER | | CONNECTION ELECTRICAL POWER CORD 3000MM | VOLTAGE | PACKED FOR SHIPPING | | | |
|----------|-------------|------------|-------------|-------------|----------|-----------------------------|------------|--------|--------------|---------|----------------|---|----------|---------------------|------------|-------------|-------------|
| | LENGTH [MM] | DEPTH [MM] | HEIGHT [MM] | WEIGHT [KG] | | | LITERS | DEG C | M2 | KW 230V | AMPS WITH LAMP | NZ/AUS/UK | | LENGTH [MM] | DEPTH [MM] | HEIGHT [MM] | WEIGHT [KG] |
| LSBM3-FT | 1145 | 690 | 555 | 123 | 1120X635 | 3 x 1/1 65mm Gastro Pans | 57 | 75 -95 | 0.53 | 3.45 | 15 | 20 AMP LEAD ONLY | 220-240V | 1250 | 770 | 670 | 123 |
| LSBM4-FT | 1485 | 690 | 555 | 152 | 1460X635 | 4 x 1/1 65mm Gastro Pans | 75 | 75 -95 | 0.73 | 4.30 | 18.7 | 30 AMP LEAD ONLY | 220-240V | 1590 | 770 | 670 | 152 |
| LSBM5-FT | 1825 | 690 | 555 | 183 | 1800X635 | 5 x 1/1 65mm Gastro Pans | 93 | 75 -95 | 0.92 | 5.75 | 25 | 30 AMP LEAD ONLY | 220-240V | 1930 | 770 | 670 | 183 |
| LSBM6-FT | 2165 | 690 | 555 | 215 | 2140X635 | 6 x 1/1 65mm Gastro Pans | 113 | 75 -95 | 1.10 | 6.56 | 28.5 | 40 AMP LEAD ONLY | 220-240V | 2270 | 770 | 670 | 215 |

PRODUCT FEATURES

- Dual purpose used wet or dry
- Auto Fill - Dry elements
- Overhead halogen lights with adjustable dimmer
- Full size pans 65mm deep supplied (max 100mm)

LSBM LEFT SIDE ELEVATION



GASTRO PANS

Units supplied with 1/1 pans at 65mm deep, max pan depth is 100mm

ELECTRICAL POWER

Electrical power cord 3000mm 1 phase connection required. Unit must be hard wired on site to isolation switch.

WATER DRAINAGE

Screw on stop cock valve drain pipe Ideally drain connected to waste. Overflow flexible waste pipe 19mm dia.1000 mm length from spigot must be connected to waste.

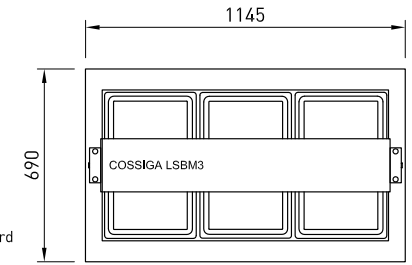
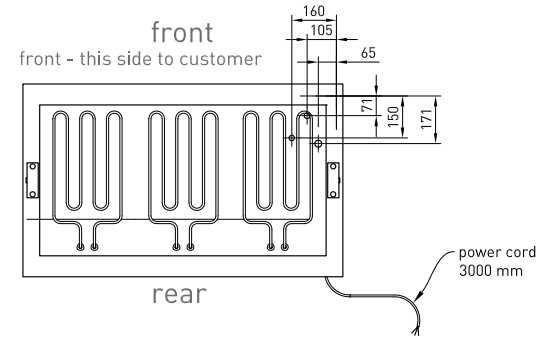
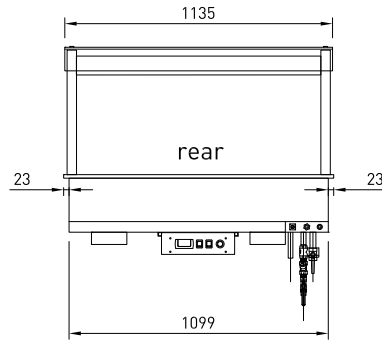
Prior to installation see, installation guidelines, ventilation requirements and drainage options documents

LSBM-FT

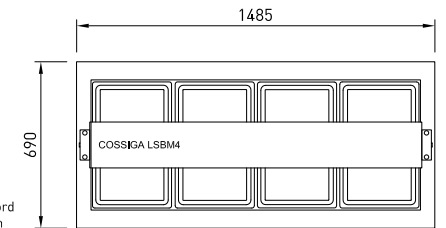
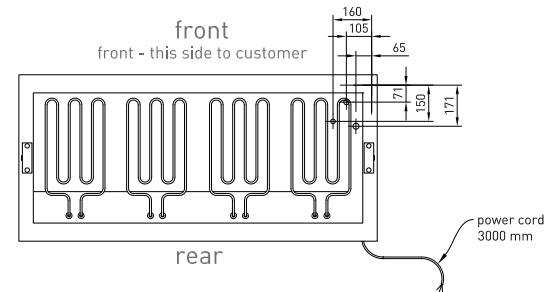
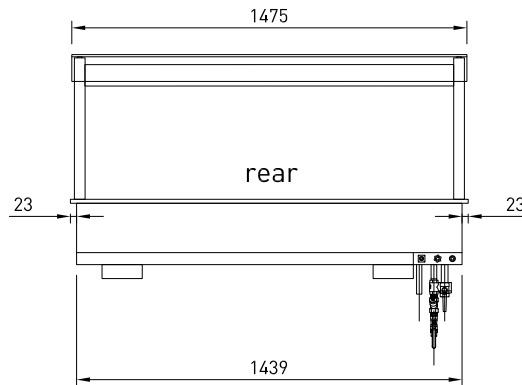
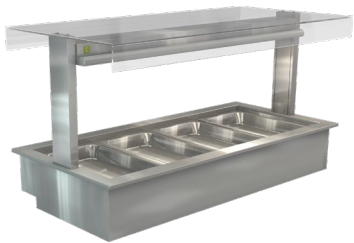
LINEAR SERIES - BAIN MARIE - Flat Top Sneeze Guard

COSSIGA

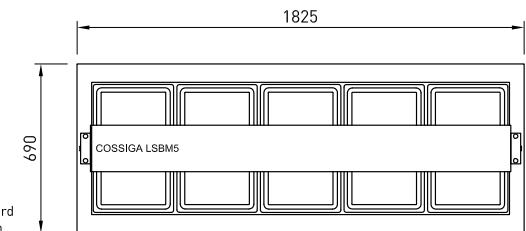
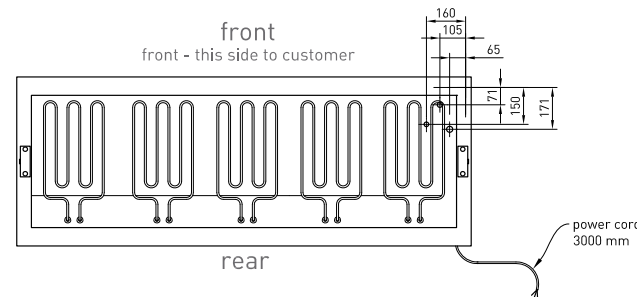
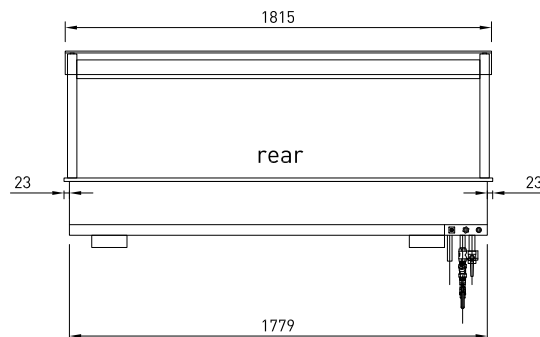
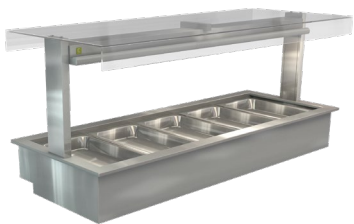
LSBM3-FT



LSBM4-FT



LSBM5-FT



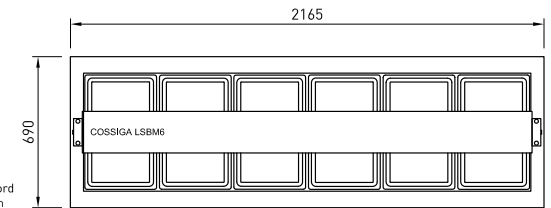
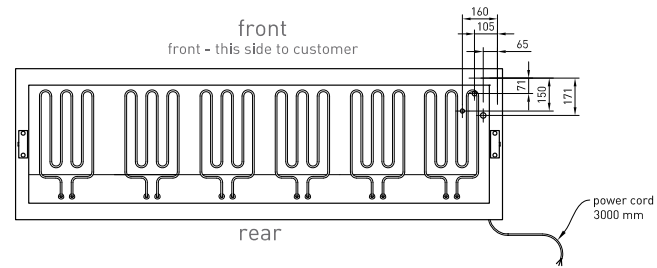
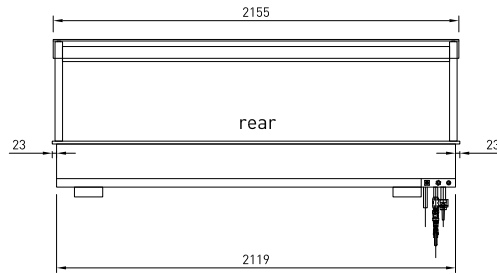
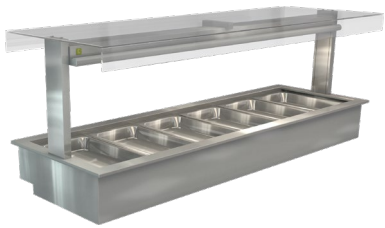
ASSEMBLY REQUIRED

LSBM-FT

LINEAR SERIES - BAIN MARIE - Flat Top Sneeze Guard

COSSIGA

LSBM6-FT



ASSEMBLY REQUIRED

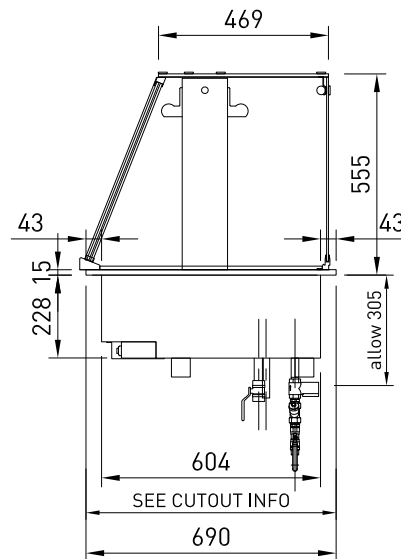
CABINET DIMENSIONS & SPECIFICATIONS

| MODEL | CABINET | | | | CUT OUTS | PANS | WATER FILL | TEMP | DISPLAY AREA | POWER | | CONNECTION ELECTRICAL POWER CORD 3000MM | VOLTAGE | PACKED FOR SHIPPING | | | |
|----------|-------------|------------|-------------|-------------|----------|-----------------------------|------------|--------|--------------|--------|-------|---|----------|---------------------|---------|----------------|-----------|
| | LENGTH [MM] | DEPTH [MM] | HEIGHT [MM] | WEIGHT [KG] | | | | | | LITERS | DEG C | | | M2 | KW 230V | AMPS WITH LAMP | NZ/AUS/UK |
| LSBM3-FS | 1145 | 690 | 555 | 139 | 1120X635 | 3 x 1/1 65mm Gastro Pans | 57 | 75 -95 | 0.53 | 3.45 | 15 | 20 AMP LEAD ONLY | 220-240V | 1250 | 770 | 670 | 139 |
| LSBM4-FS | 1485 | 690 | 555 | 166 | 1460X635 | 4 x 1/1 65mm Gastro Pans | 75 | 75 -95 | 0.73 | 4.30 | 18.7 | 30 AMP LEAD ONLY | 220-240V | 1590 | 770 | 670 | 166 |
| LSBM5-FS | 1825 | 690 | 555 | 199 | 1800X635 | 5 x 1/1 65mm Gastro Pans | 93 | 75 -95 | 0.92 | 5.75 | 25 | 30 AMP LEAD ONLY | 220-240V | 1930 | 770 | 670 | 199 |
| LSBM6-FS | 2165 | 690 | 555 | 230 | 2140X635 | 6 x 1/1 65mm Gastro Pans | 113 | 75 -95 | 1.10 | 6.56 | 28.5 | 40 AMP LEAD ONLY | 220-240V | 2270 | 770 | 670 | 230 |

PRODUCT FEATURES

- Dual purpose used wet or dry
- Auto Fill - Dry elements
- Overhead halogen lights with adjustable dimmer
- Full size pans 65mm deep supplied (max 100mm)

LSBM LEFT SIDE ELEVATION



GASTRO PANS

Units supplied with 1/1 pans at 65mm deep, max pan depth is 100mm

ELECTRICAL POWER

Electrical power cord 3000mm 1 phase connection required. Unit must be hard wired on site to isolation switch.

WATER DRAINAGE

Screw on stop cock valve drain pipe Ideally drain connected to waste. Overflow flexible waste pipe 19mm dia.1000 mm length from spigot must be connected to waste.

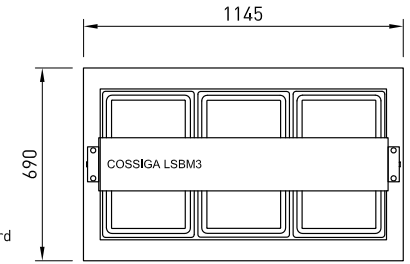
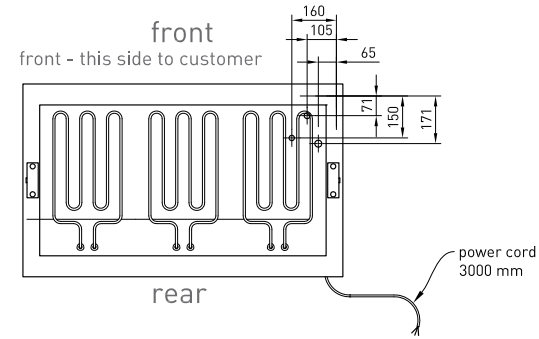
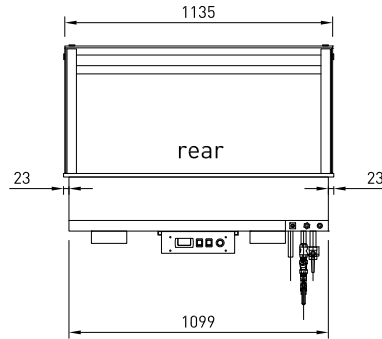
Prior to installation see, installation guidelines, ventilation requirements and drainage options documents

LSBM-FS

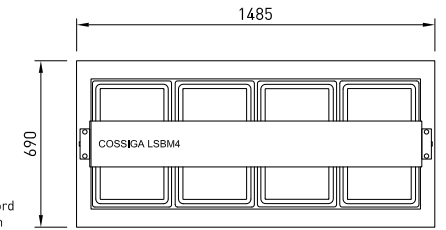
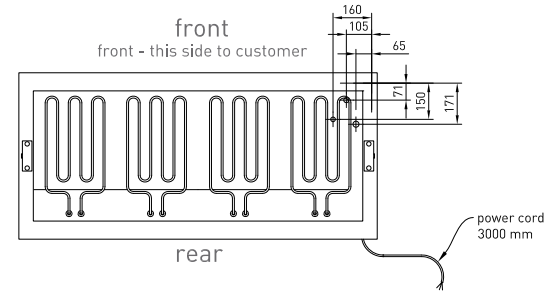
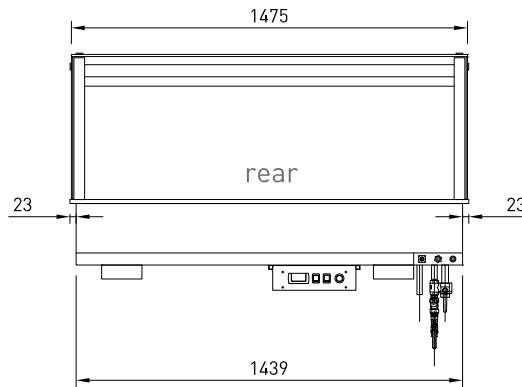
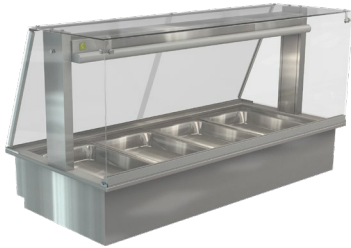
LINEAR SERIES - BAIN MARIE - Full Square Glass

COSSIGA

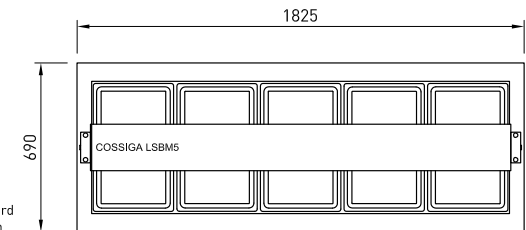
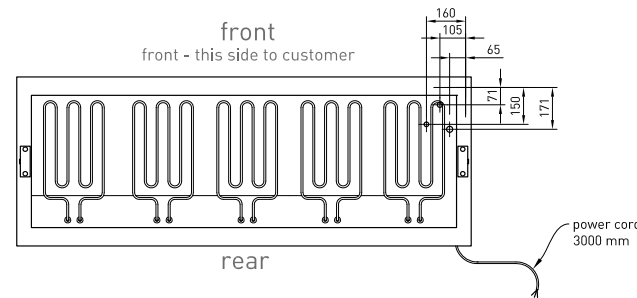
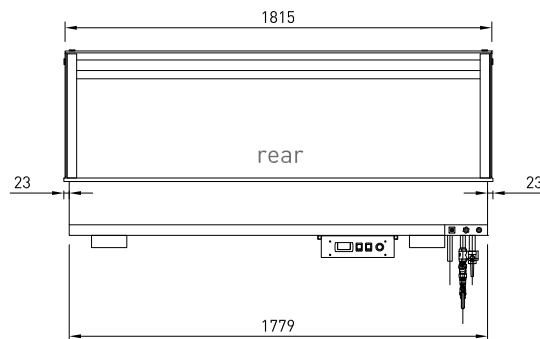
LSBM3-FS



LSBM4-FS



LSBM5-FS

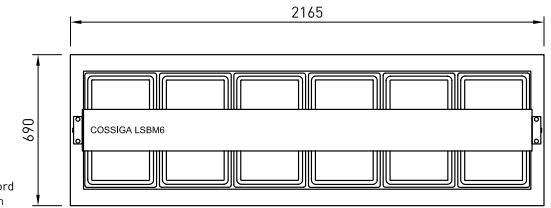
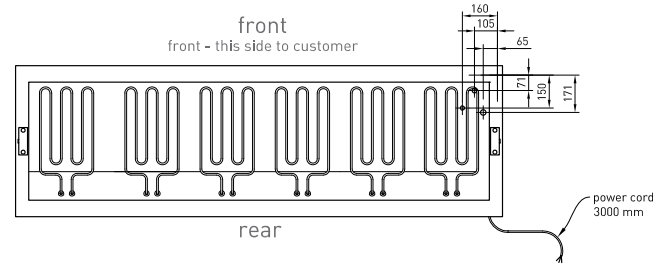
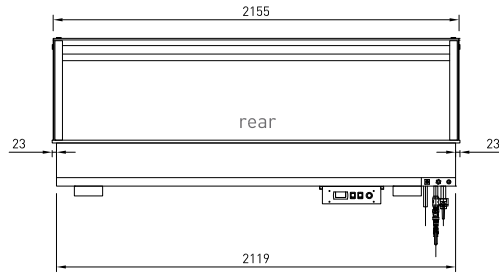


ASSEMBLY REQUIRED

LSBM-FS LINEAR SERIES - BAIN MARIE - Full Square Glass

COSSIGA

LSBM6-FS



ASSEMBLY REQUIRED