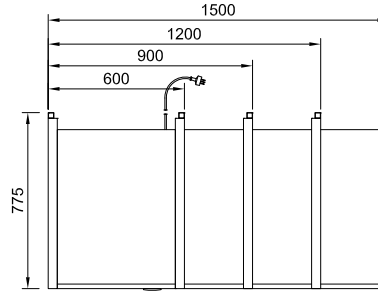




OR

- DTGOR6
- DTGOR9
- DTGOR12
- DTGOR15

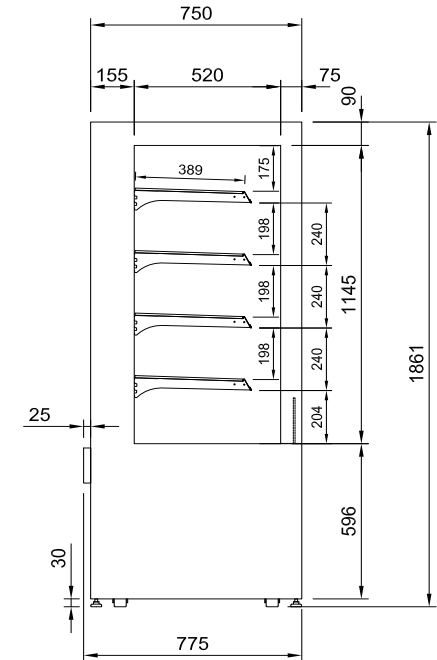
- Stainless steel construction
- Four adjustable shelves
- Ticket strips on shelves
- Shelf mounted air curtains
- Under shelf and canopy LED lights
- Pull down night blind
- Forced air circulation
- Integral condenser
- Removable front grille panel
- Roll in on castors with locking feet
- Climate class M1
- Hinged acrylic front doors - **optional**



PULL DOWN NIGHT BLIND



OPTIONAL DOOR KIT



CABINET DIMENSIONS & SPECIFICATIONS

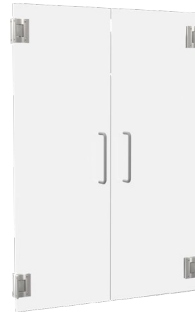
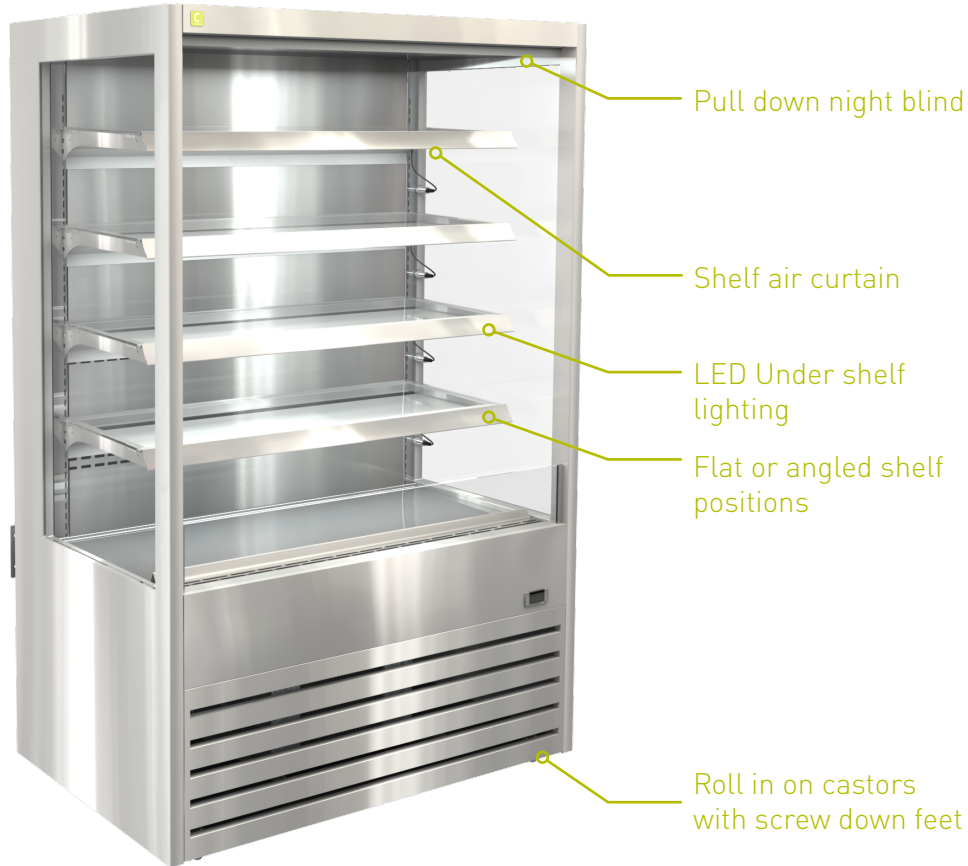
MODEL	CABINET				SHELVING	OPERATING TEMP	SHELF	BASE TRAY	DISPLAY	REFRIGERANT	FREQUENCY	OPERATING CURRENT	POWER	CONNECTION ELECTRICAL POWER CORD 2200MM		VOLTAGE	PACKED FOR SHIPPING			
	LENGTH [MM]	DEPTH [MM]	HEIGHT [MM]	WEIGHT [KG]										NZ/AUS	UK 13 AMP		LENGTH [MM]	DEPTH [MM]	HEIGHT [MM]	WEIGHT [KG]
DTGOR6	600	775	1860	170	4 + BASE	-1 +5	486 X 386	520 x 453	0.98	R290	50/60 HZ	5.5	1.04	10 AMP 3 PIN PLUG	3 PIN PLUG	220-240V	700	830	2030	180
DTGOR9	900	775	1860	209	4 + BASE	-1 +5	786 X 386	820x 453	1.63	R290	50/60 HZ	5.8	1.21	10 AMP 3 PIN PLUG	3 PIN PLUG	220-240V	1000	830	2030	219
DTGOR12	1200	775	1860	282	4 + BASE	-1 +5	1086 X 386	1120 x 453	2.18	R290	50/60 HZ	7.0	1.46	10 AMP 3 PIN PLUG	3 PIN PLUG	220-240V	1300	830	2030	292
DTGOR15	1500	775	1860	298	4 + BASE	-1 +5	1386 X 386	1420 x 453	2.78	R290	50/60 HZ	11	1.53	15 AMP 3 PIN PLUG	3 PIN PLUG	220-240V	1600	830	2030	298



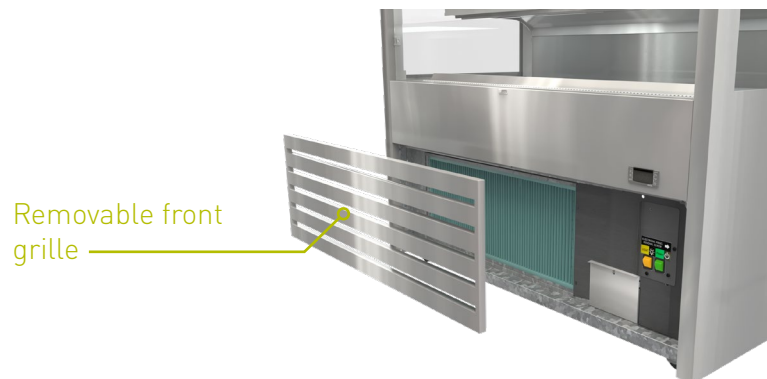
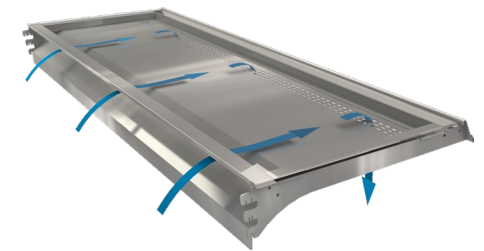
Download or contact us on COSSIGA.COM

DTG OR OPEN FRONT MULTIDECK - PRODUCT FEATURES

COSSIGA



OPTIONAL DOOR KIT



MODEL	MAX LOADING - BOTTLE/CAN 330ml		
	EACH SHELF	BASE TRAY	TOTAL
DTGOR6	42	56	224
DTGOR9	72	91	379
DTGOR12	96	119	503
DTGOR15	126	147	651

Shelf air curtain - for improved performance



Lock and key



Double glazed in aluminium frame

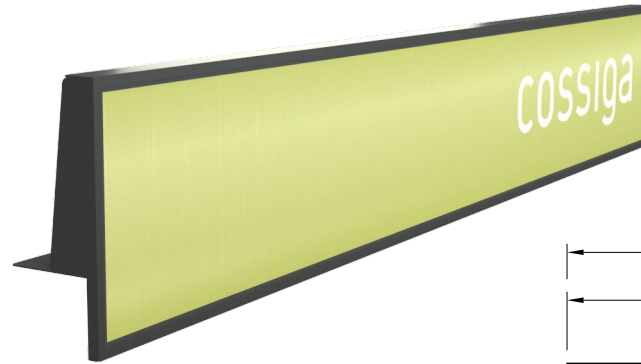


Fitted to standard DTGOR units

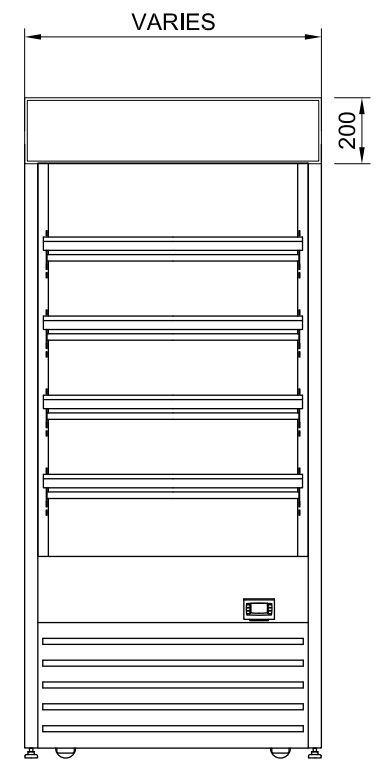
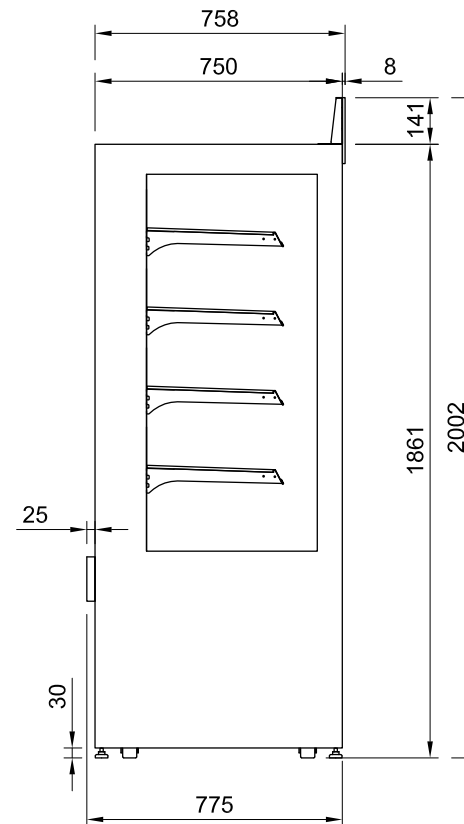
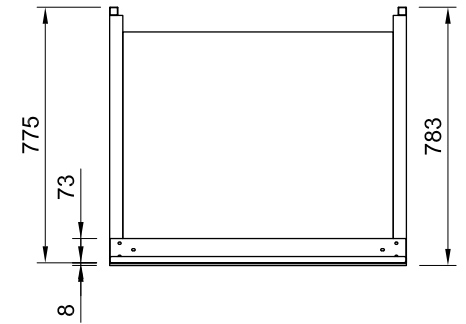
SLIDING DOORS AVAILABLE UK / EUR ONLY



- Top mounting bracket
- 8mm Glass front light box with L.E.D. white back lit panel
- Custom PVC graphic slides into light box



Custom graphic panel inserted into frame (see sizes in table)



LIGHT BOX SIZES

See Light box assembly document

MODEL	OVER ALL LENGTH	HEIGHT MM	GRAPHIC PANEL SIZE W X H
DTG6	600	200	595 X 189
DTG9	900	200	895 X 189
DTG12	1200	200	1195 X 189
DTG15	1500	200	1495 X 189



Fitted to top of unit with supplied brackets

Fixed to front of unit



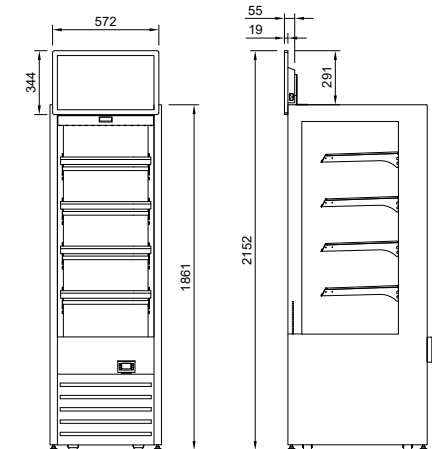
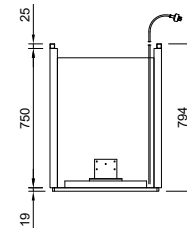
MERCHANDISING BASKET
sold as accessory kit



DIGITAL SCREEN
sold as accessory kit

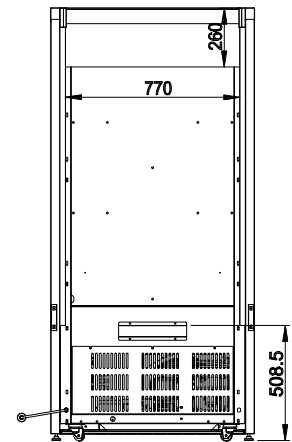
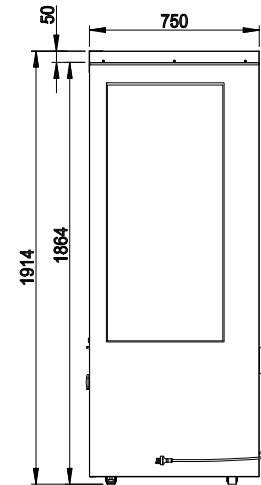
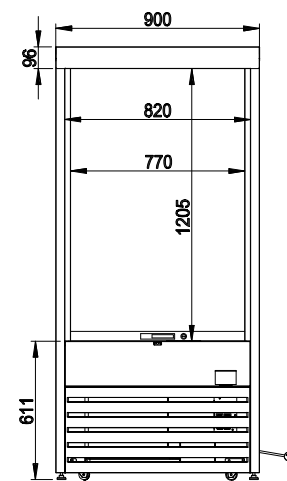
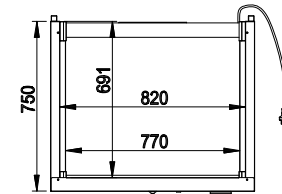


- Top mounting bracket
- Digital display screen
- High Gloss picture
- Data input from USB





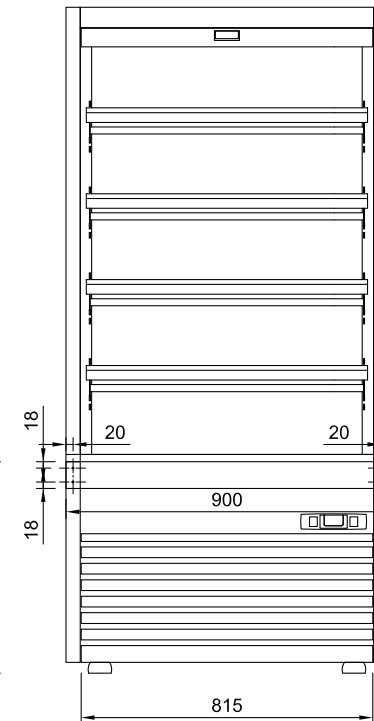
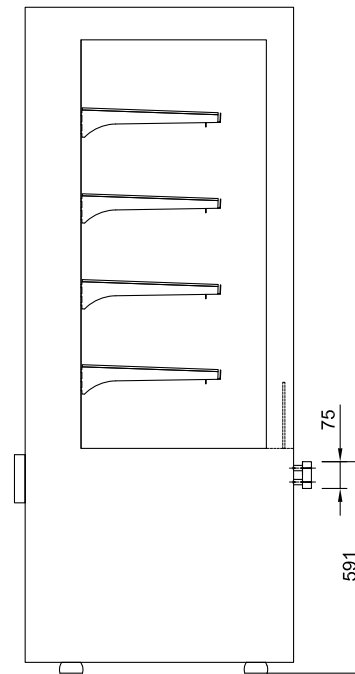
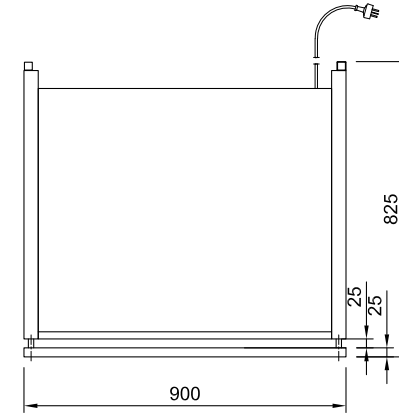
LOCKABLE SECURITY SCREEN
sold as accessory kit



Extends unit height by 54mm
to 1914mm over all



- Stainless steel buffer
- Screw fixed to unit frame

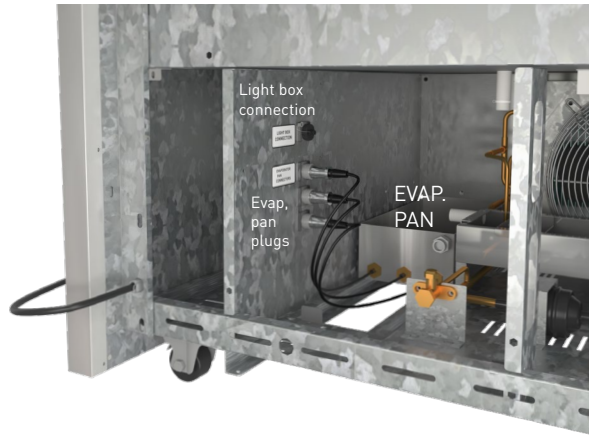


self tapping screws with spacers

BUFFER STRIP BAR

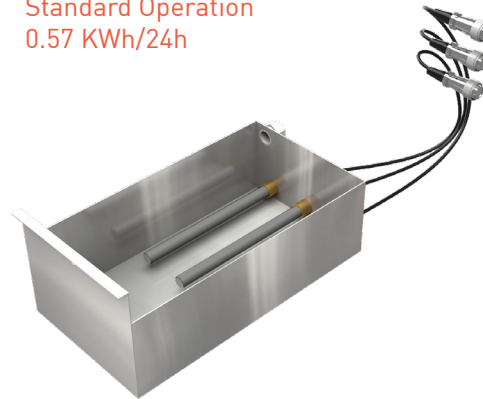
MODEL	BUMPER STRIP SIZES		
	OVER ALL BUFFER LENGTH	HEIGHT MM	SCREW FIXING POINTS
DTG6	600	75	2
DTG9	900	75	2
DTG12	1200	75	2
DTG15	1500	75	2

1. ELECTRONIC EVAPORATOR PAN - FITTED AS STANDARD OPTION

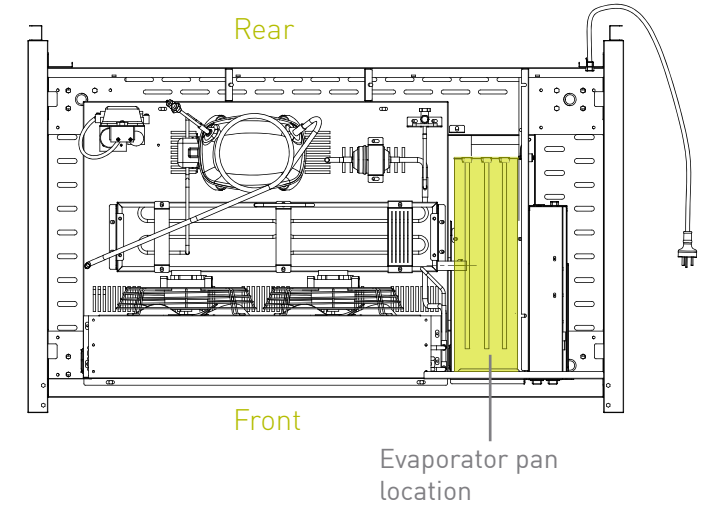


Rear view

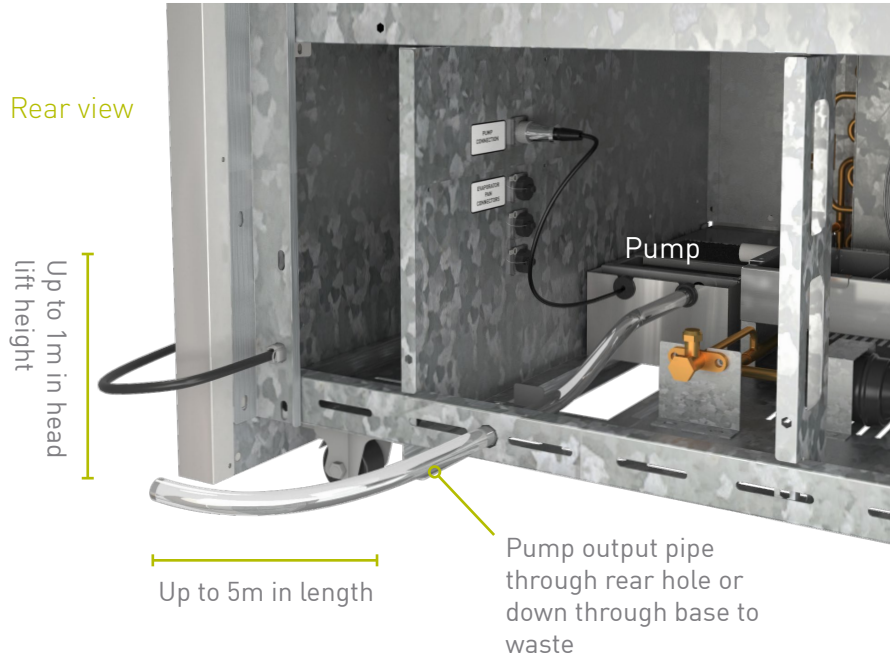
ELECTRONIC EVAPORATOR PAN
Energy Consumption:
Standard Operation
0.57 KWh/24h



DRAINAGE TO ELECTRONIC EVAPORATOR PAN



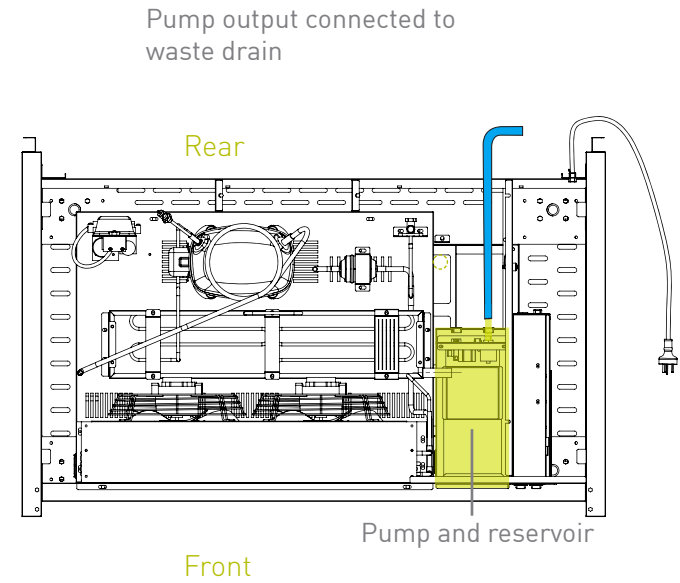
2. DRAINAGE WITH PUMP TO WASTE - UP TO 5 METRES



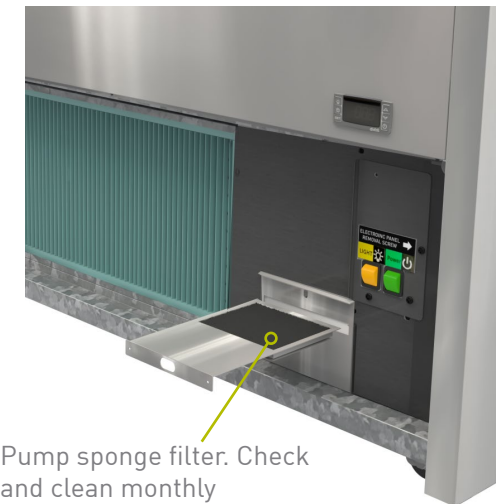
PUMP SYSTEM

Energy Consumption:
0.06 kWh / 24 Hour

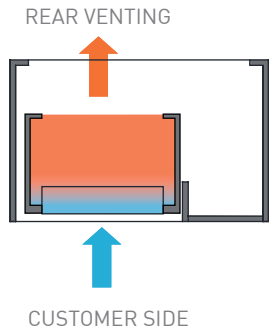
Flexible Tubing Supplied
Diameter 19 mm



Front view



PUMP AND RESERVOIR UNIT



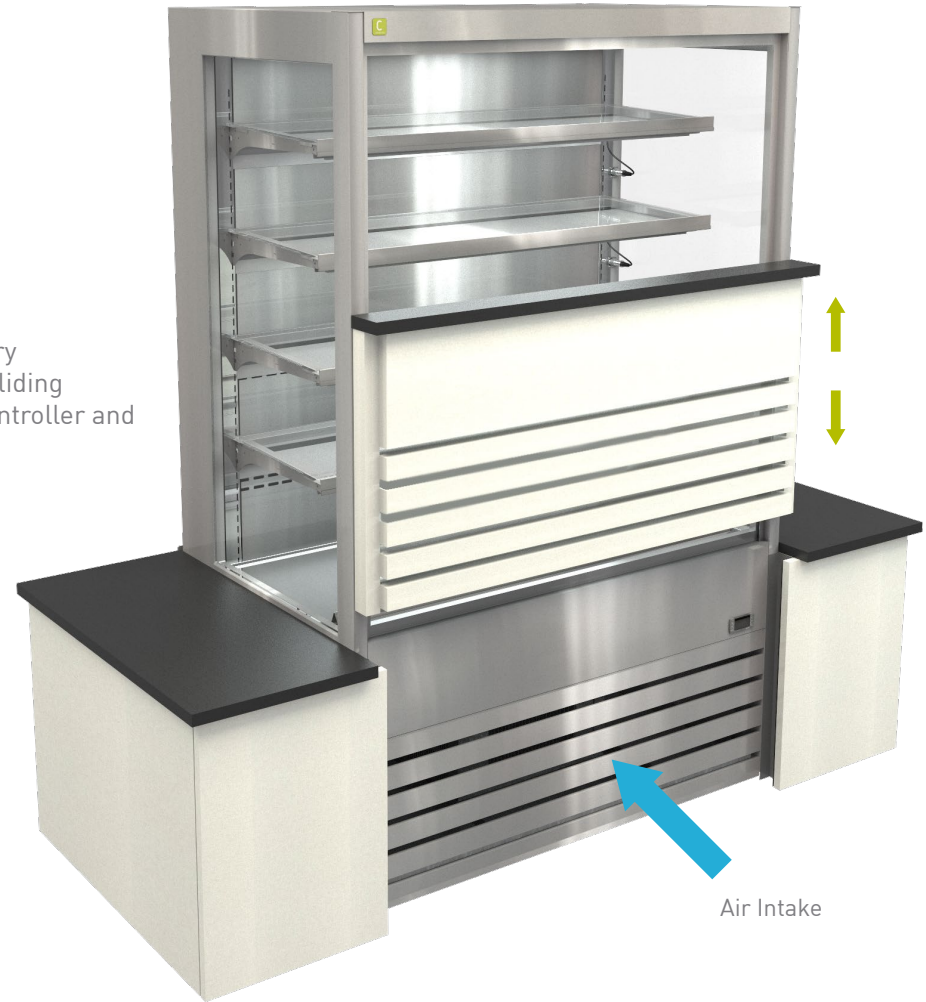
Rear Ventilation

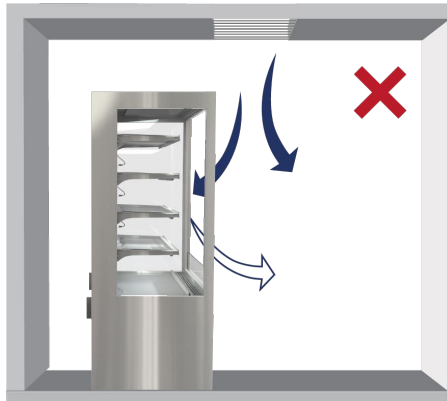
Units are rear venting with front air intake through front grill.



Cabinetry to match unit ventilation grill or larger

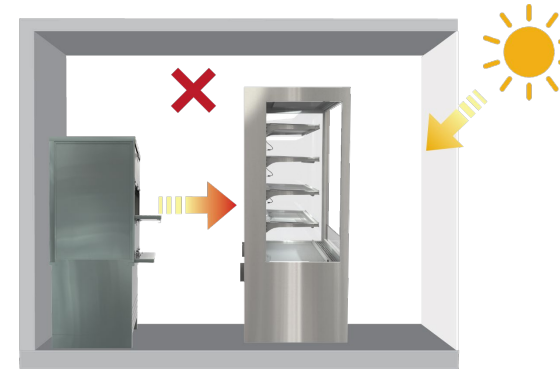
Example of cabinetry joinery vent panel sliding out for access to controller and condenser cleaning





Mechanical airflow

Mechanical air flows, such as diffusers and fans can disturb the air curtain on open fronted units causing failure



Environmental conditions

Heat from other equipment and natural conditions, such as direct sunlight straight on units, can cause cooling to fail and overload compressor



Locations to avoid

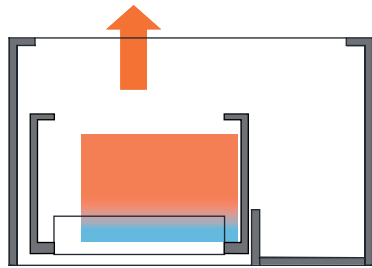
- Close to shop front exterior
- In an outside location
- In direct sunlight
- In a high wind
- Near any source producing excessive heat
- Service units more frequently in dusty or polluted areas

The location of the chiller may be the single most important decision that will extend its life and ensure economical, high performance

The cabinet must NOT be situated where it is affected by air-conditioning air outlets, ventilation fans or air re-circulation fans, as this will compromise the airflow and product temperature in the open cabinet zone.

There must be NO air movement directly into the cabinet opening. Air movement will cause failure of the air curtain over the product, resulting in excessive temperature rise. Detectable air draft will adversely effect the cabinet operation. Maximum air movement across the cabinet opening must not exceed 0.2 m/s.

REAR VENTING



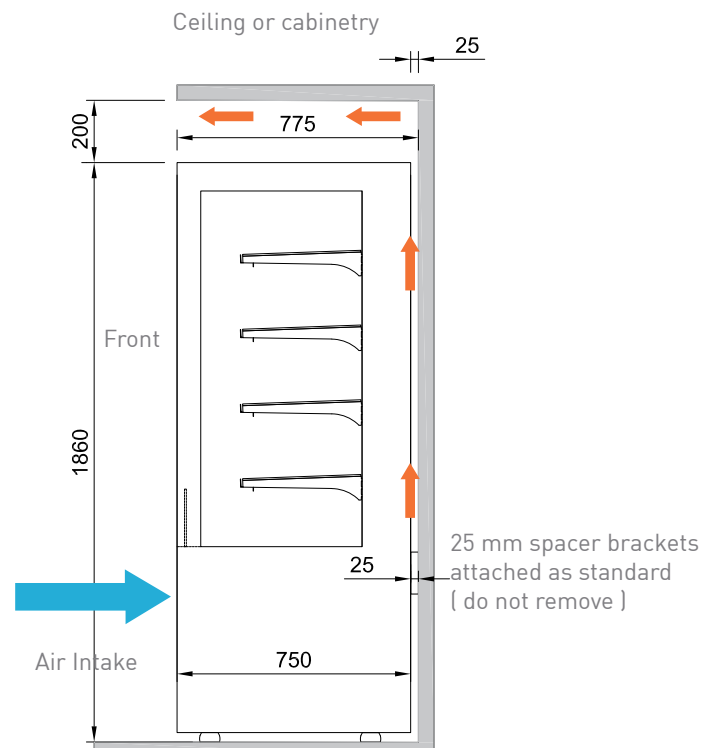
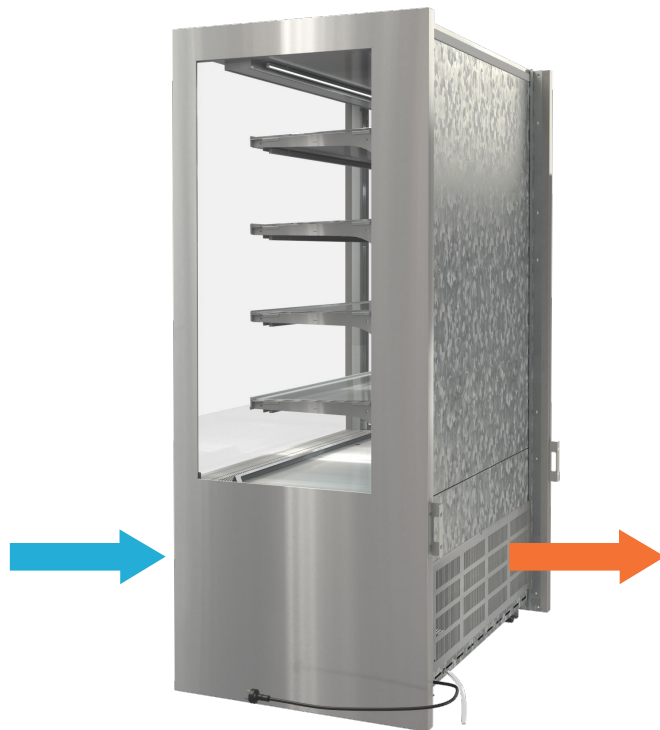
CUSTOMER SIDE

Separation To Wall

A separation gap of 25mm to a wall is required. The OR unit comes fitted with 25mm spacer brackets so the units can be pushed back until the brackets meet the wall. A 200mm gap above the unit is also required to ensure proper hot air extract.

Overhead Cabinetry

When using cabinetry ensure top ventilation with a cutout to ceiling plenum or vented system with in the cabinetry design



Separation between cold and heated units

Cold and heated units must be separated with a minimum gap of 150mm to avoid heat transfer between cabinets

DTG OR REFRIGERATED

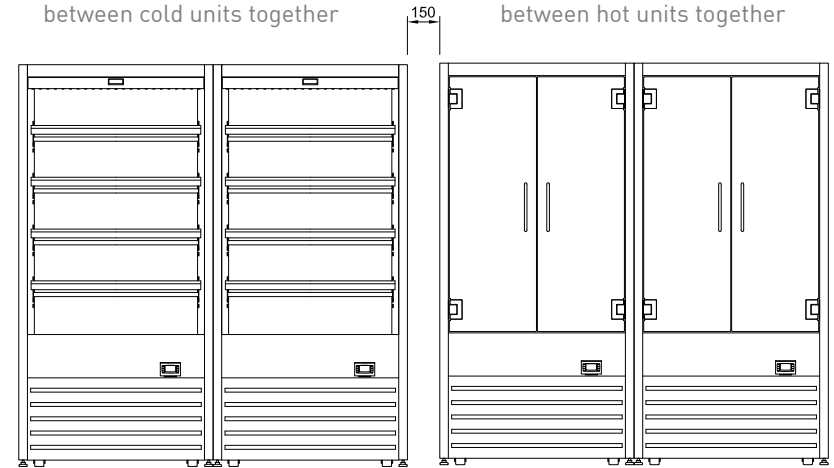
DTG HT HEATED



150mm minimum gap between cold and hot units

No Minimum gap required between cold units together

No Minimum gap required between hot units together



DTG OR REFRIGERATED

DTG HT HEATED

Full Wrap

front and side facing areas covered (excludes top and rear)



Full Wrap With Doors

front and side facing areas covered (excludes top and rear)



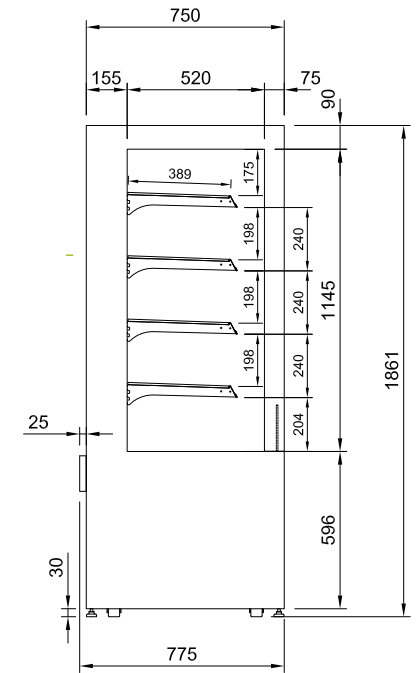
Front Wrap

Only front facing areas covered



Front Wrap With Doors

Only front facing areas covered



DTG OR SIDE DIMENSIONS



1. Lift off truck on pallet with the **rear of the unit facing the forklift**



2. Unpack. Remove front grill.

Tools Required



3. Lift with forks under centre of frame. **Check span of forks under unit to avoid any damage to components.**



4. Transport to required location

Tools Required



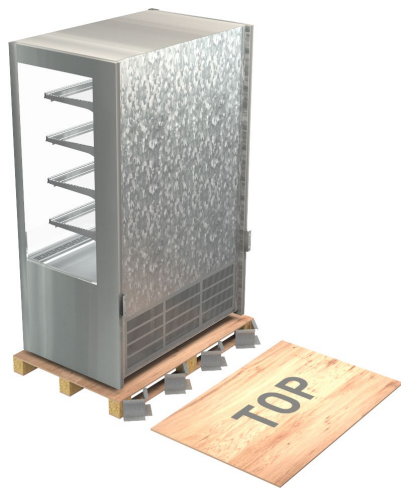
1. Lift of transport on pallet with the **rear of the unit facing the forklift**



2. Place the boxed unit on a level floor area. Remove plywood top cover and put aside. Remove front, side and corner pieces and discard.



3. Locate the four metal brackets in the accessory pack.



4. Place three or four of the metal brackets on a level floor in front of the bottom pallet with the **rear of the cabinet facing the ramp**. Place the plywood top cover on the floor and corner brackets to form a ramp.



5. Carefully roll the unit off the pallet down the ramp. Two or more people may be required depending on the size of the unit.