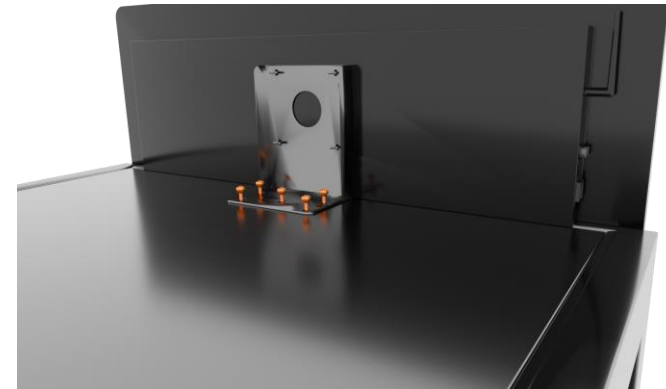
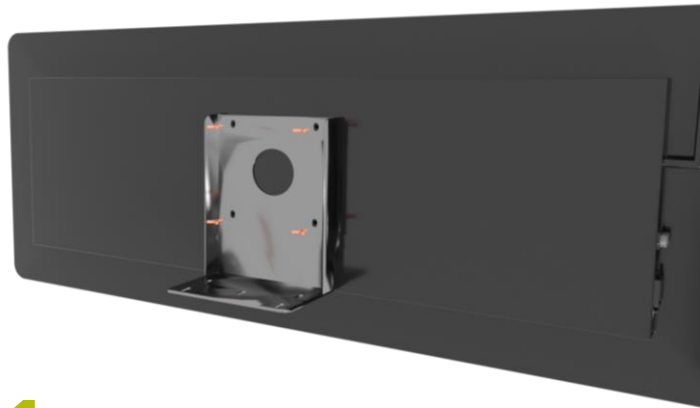
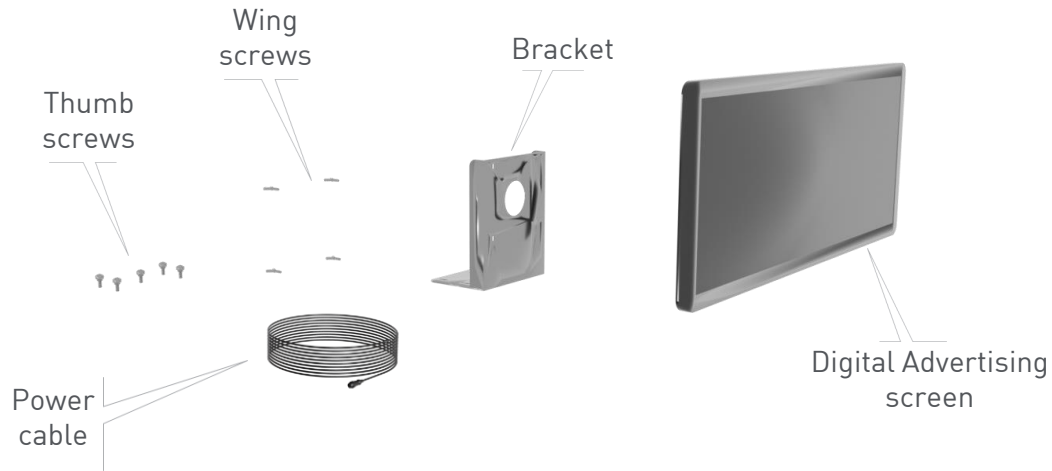




Applicable models:

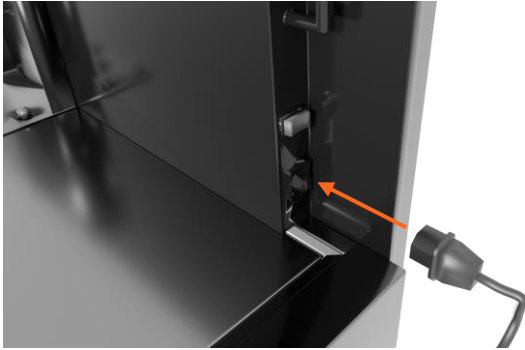
- DTGHT6
- DTGHT9
- DTGOR6
- DTGOR9
- DTGOR12
- DTGOR15



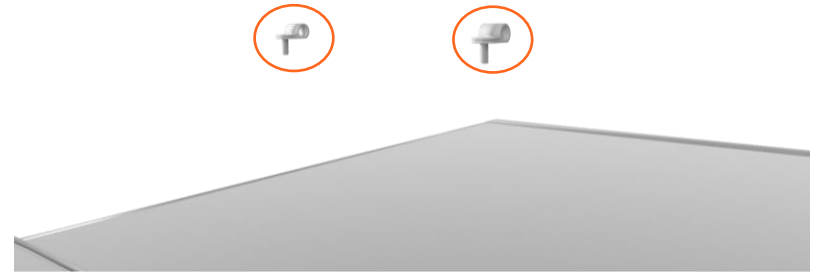
1. Attach the Bracket to the Digital screen using provided wing screws

2. Attach the bracket to the cabinet using the provided thumb screws

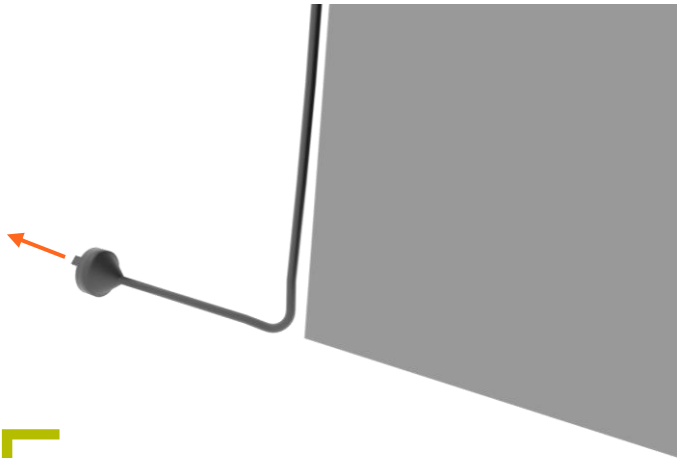




- 3.** Plug the power cable into the side of the screen



- 4.** Cable clips are provided, allowing you to secure the cable to the cabinet



- 5.** Plug the power cable into a wall outlet



- 6.** Press the switch on the side of the screen to turn the digital advertising screen on/off

