

# LS HOW TO Replace a Ceramic Heater

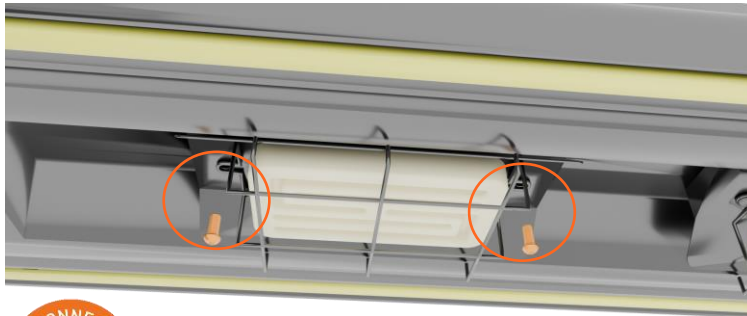
COSSIGA



Applicable models:

- LSCM2
- LSCM3 LSBM3
- LSCM4 LSBM4
- LSCM5 LSBM5
- LSCM6 LSBM6

Replacement  
Ceramic Heater  
Part  
(S17-209)

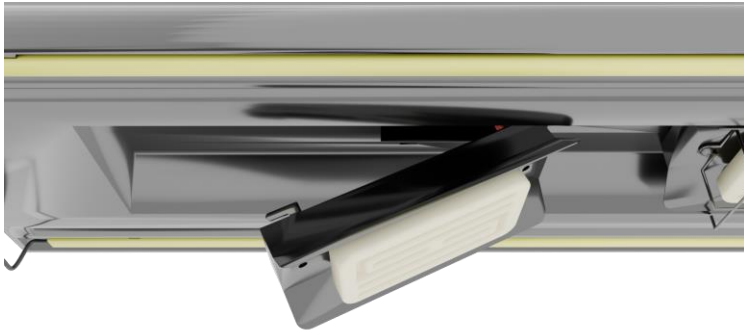


1. To remove the wire guard, unscrew the two screws that hold it to the heater housing

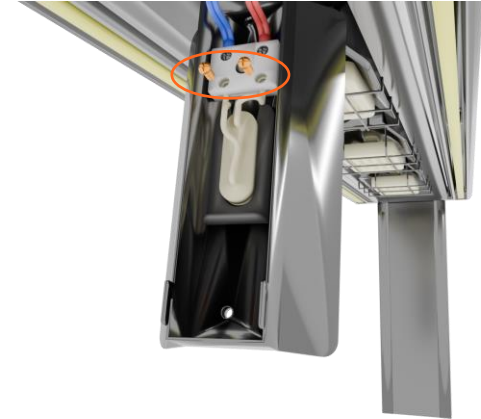


2. Remove the screw that attaches the heater housing to the gantry

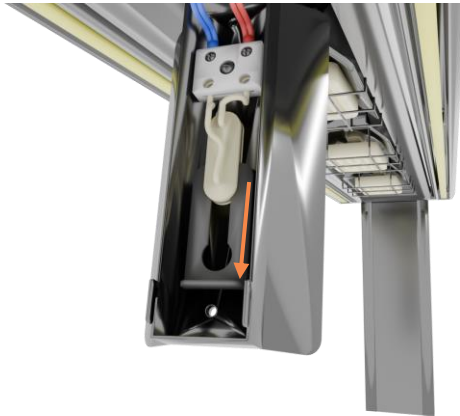




- 3.** Move the housing to one side before pulling it down to release it from the gantry



- 4.** Remove the two screws attaching the ceramic to the housing wiring

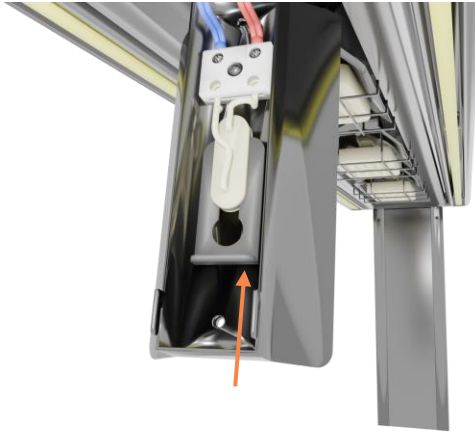


- 5.** Pull the clip down to release the ceramic heater from the housing

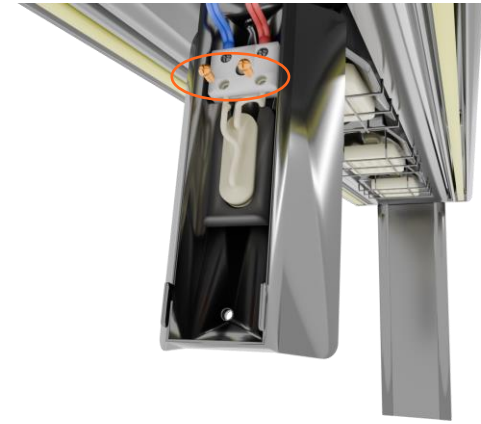


- 6.** Carefully remove the ceramic heater from the housing and slide a new heater into the housing

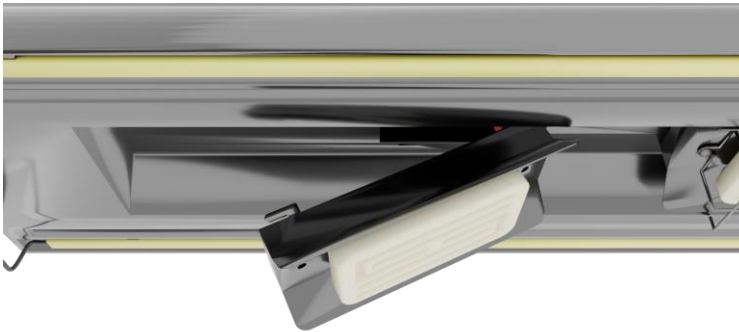




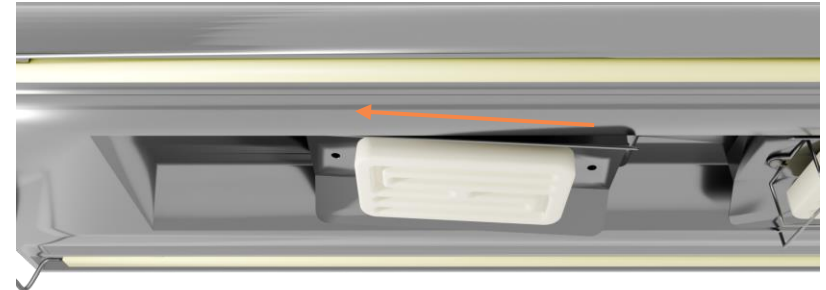
- 7** ■ Slide the clip up to secure the new ceramic heater to the housing



- 8** ■ Screw the new ceramic wiring to the wiring of the housing



- 9** ■ Place the heater housing back into the gantry, making sure not to crush any of the wires

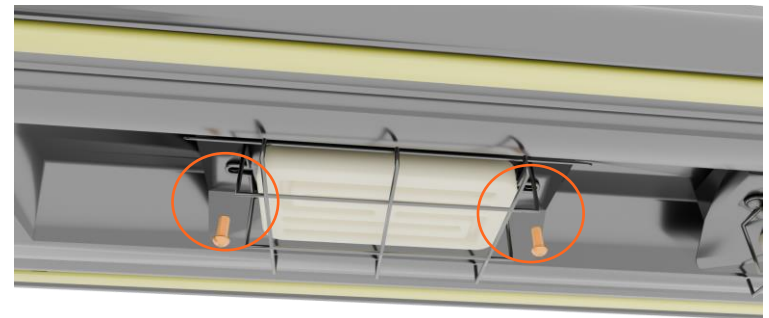


- 10** ■ Slide the housing to the side to lock it in position in the gantry





- 11.** Reattach the screw to hold the housing to the gantry



- 12.** Reattach the wire guard to the heater housing using the same two screws

