



PRODUCT FEATURES

- Single ceramic heated glass
- Digital thermostatic controller
- Heat indicating LED lights on panel
- Flush mount drop in module

UNIT DIMENSIONS & SPECIFICATIONS

CERAMIC TOP

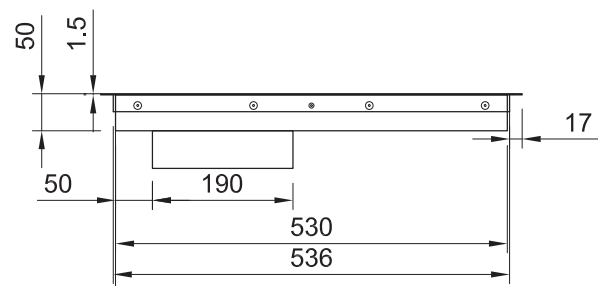
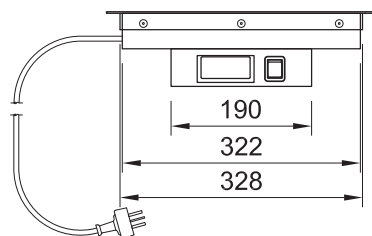
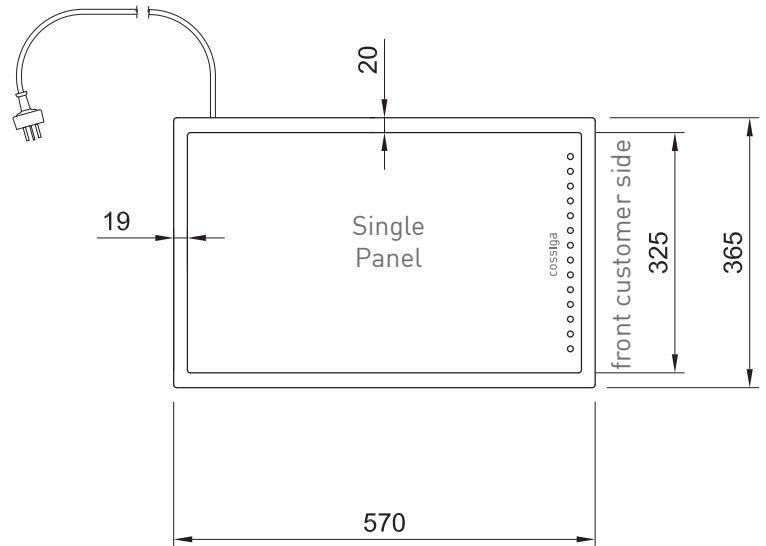
Model	Cabinet			Bench cut out hole size	Heating	Operating Current	Connection	Voltage
	Length mm	Depth mm	Height mm					
LSSC	570	365	1.5mm	545 x 338	Ceramic Glass 1 x panel	2.7 Amp	10amp 3 pin plug	50/60 Hertz 240V

SPECIFICATIONS

ELECTRICAL POWER

Electrical power cord 3000mm
3 pin 10 amp 1 phase socket required
Single controller

Flush Mount

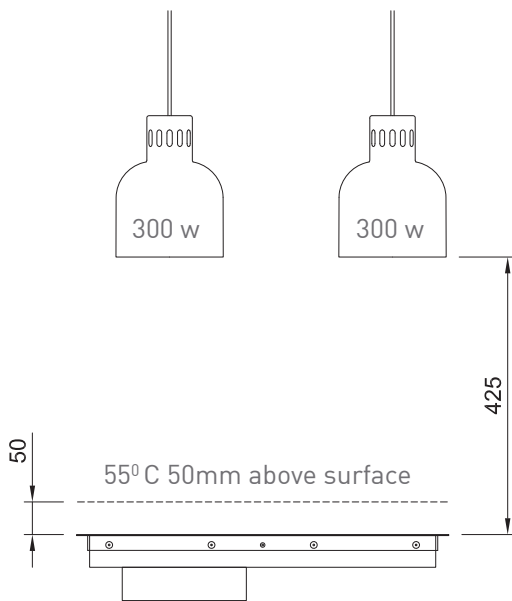




SINGLE CERAMIC

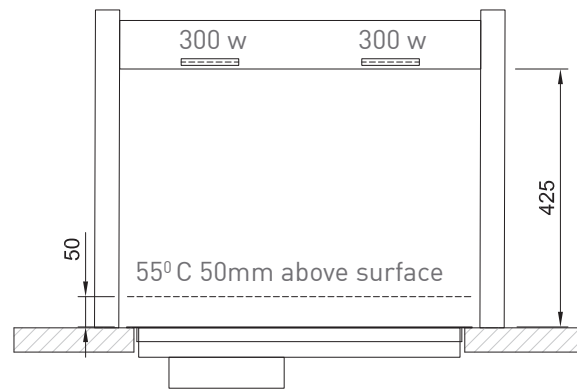
- Single ceramic heated glass
- Digital thermostatic controller
- Heat indicating LED lights on panel
- Flush mount drop in module

OVERHEAD LAMP OPTION -by others



COSSIGA OVERHEAD GANTRY

For matching overhead heat source to match Cossiga supplied gantry use 300 watt halogen bulb



HEAT SPREAD

Check heat spread from chosen overhead heat source

