



## PRODUCT FEATURES

- Heated double glazed glass top and sides
- Sliding doors front and rear  
Double glazed
- Deck forced refrigeration
- Two adjustable shelves
- Ticket strips on shelves and deck
- Under shelf and canopy LED lights
- Integral condenser
- Self evaporating
- Solid glass front - optional

## CABINET DIMENSIONS & SPECIFICATIONS

Refrigerated 4<sup>0</sup> factory set point

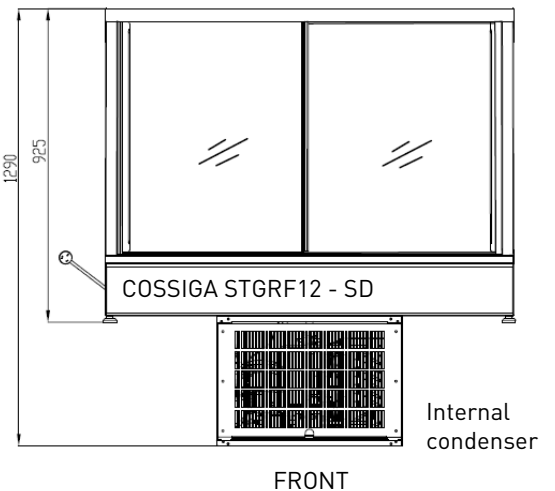
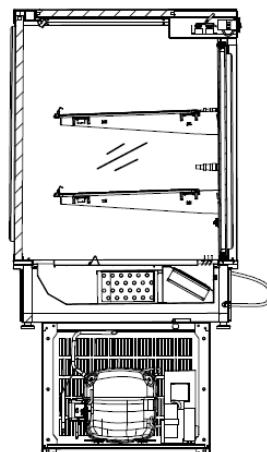
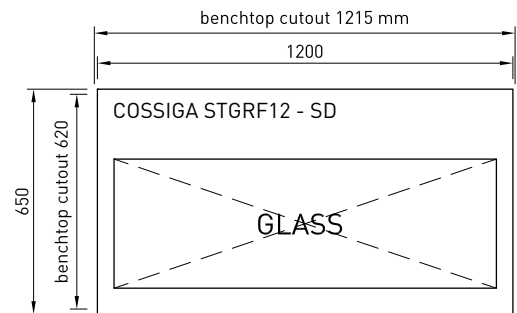
Model	Cabinet			Shelving no.	Display m <sup>2</sup>	Total food units	Refrigerant	Operating Current	Connection	Voltage
	Length mm	Depth mm	Height mm							
STGRF12-SD	1200	650	925	2 + base	1.32	121	R290	5.0 Amp	10amp 3 pin plug	240V

\* prior to installation see, installation guidelines, ventilation requirements and drainage options documents

### ELECTRICAL POWER

Electrical power cord 2200mm  
3 pin 10 amp 1 phase socket required.  
Maximum ambient operating temperature climate class N max 32°C

Maximum shelf load weight 15kg  
spread evenly



Electrical Safety & EMC  
Regulatory Compliance Mark



GEMS / MEPS Compliance Mark

 [Download C.A.D models or contact us on COSSIGA.COM](https://www.cossiga.com)