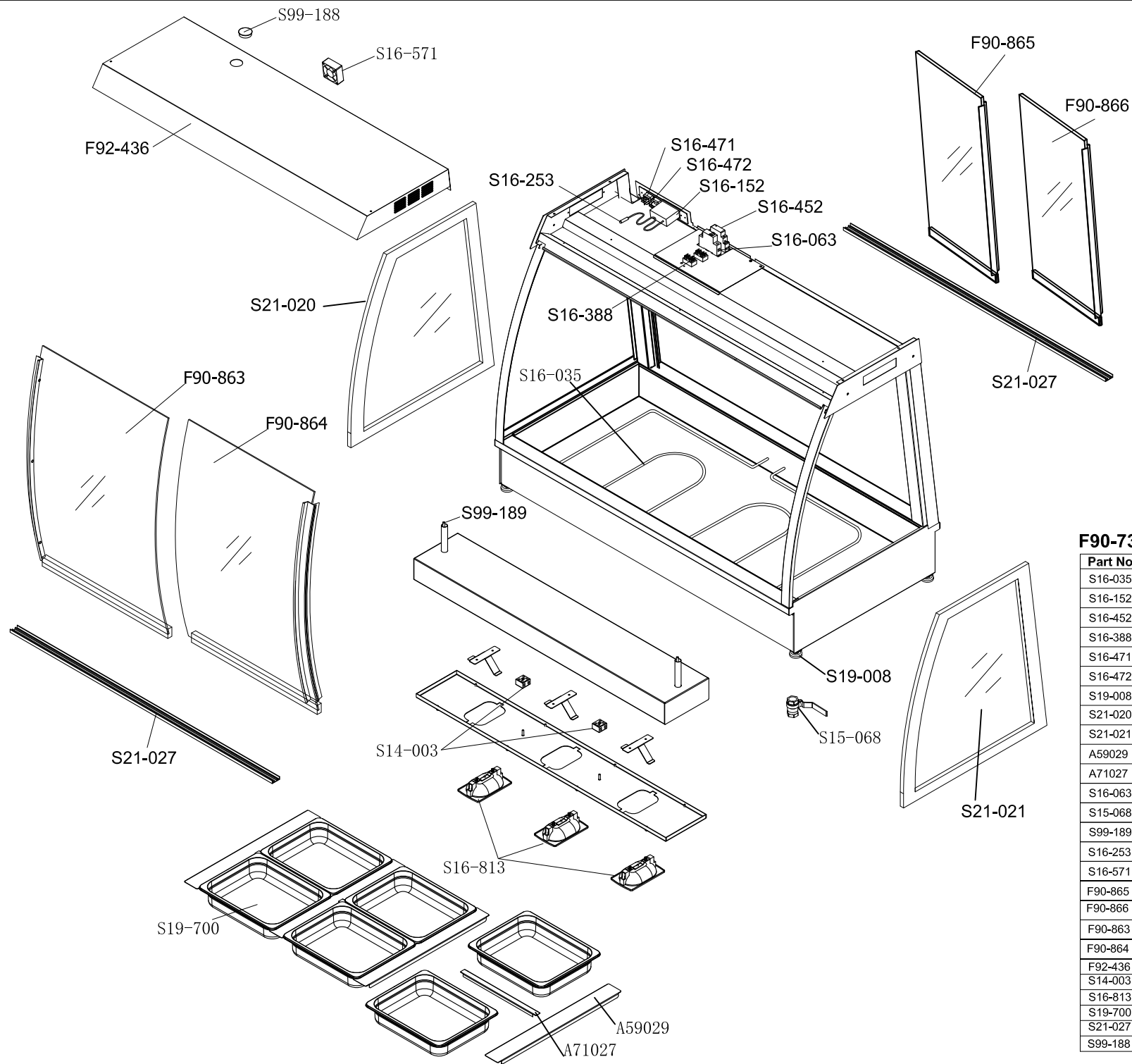


VER	DESCRIPTION OF REVISIONS	DATE
A-1		2016/01/19



### F90-738 C4BM12 Part List

Part No	Name	Qty
S16-035	HEATER 1500W 240V	1
S16-152	THERMOSTAT	1
S16-452	CIRCUIT BREAKER	2
S16-388	TERMINAL BLOCK	2
S16-471	POWER SUPPLY BUTTON	1
S16-472	LAMP BOTTON	1
S19-008	RUBBER FOOTING	4
S21-020	SIDE GLASS LEFT	1
S21-021	SIDE GLASS RIGHT	1
A59029	DIVIDER BAR	4
A71027	DIVIDER BAR B	3
S16-063	BREAKER	1
S15-068	BRASS VALVE	1
S99-189	SUSPENDER	2
S16-253	SENSOR	1
S16-571	CEILING FAN	1
F90-865	Left Rear Door Assy	1
F90-866	Right Rear Door Assy	1
F90-863	Left Front Door Assy	1
F90-864	Right Front Door Assy	1
F92-436	New Top Hood	1
S14-003	Ceramic Terminal Block	2
S16-813	Halogen Lamp Assy	3
S19-700	1/2 GN pan	6
S21-027	Bottom Door Track	2
S99-188	KSS Plastic Cover	1