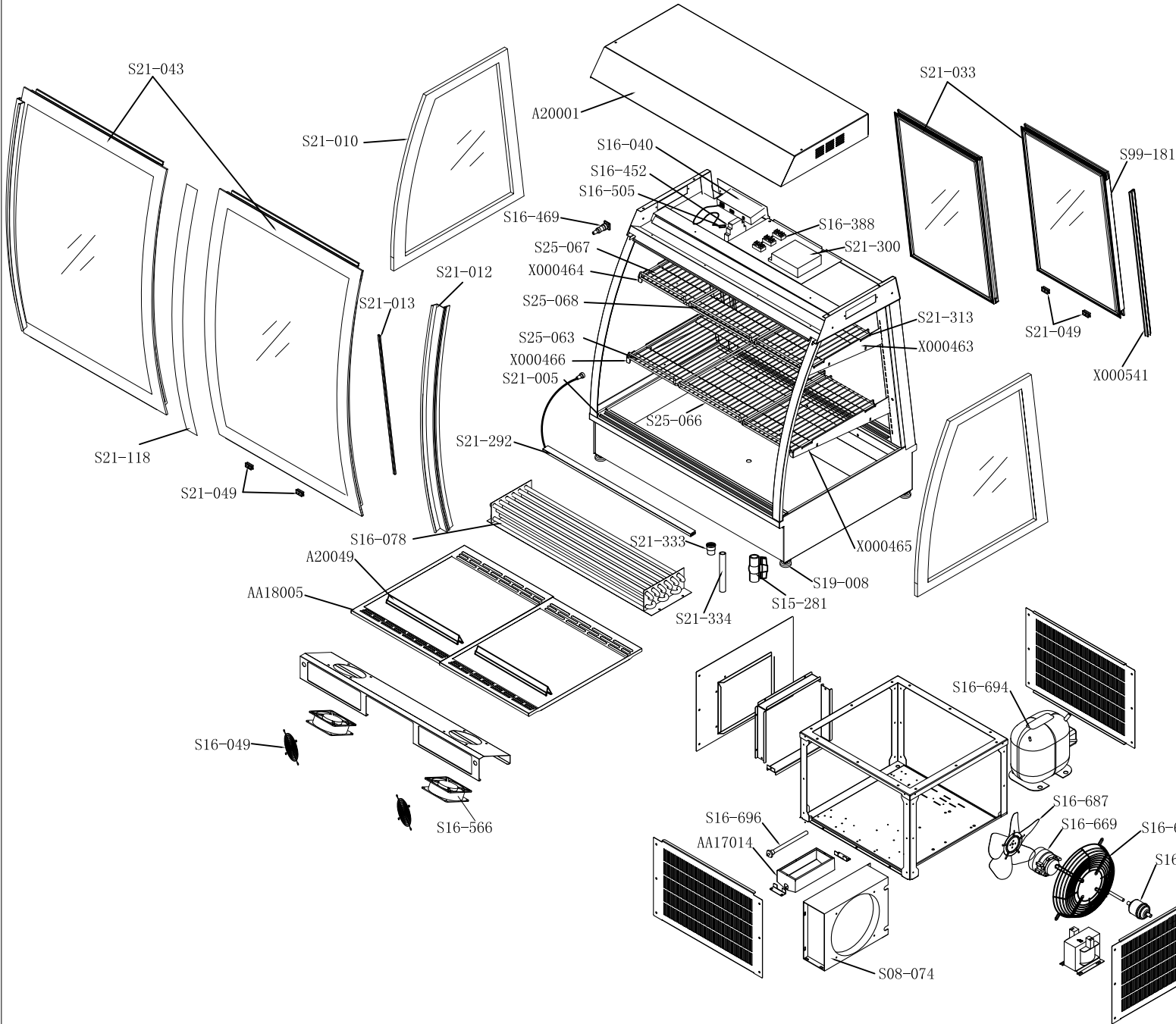


VER	DESCRIPTION OF REVISIONS	DATE
A-0		2014/06/27
A-1	更新系统设置	2016/10/10



ID	Part No	Name	Spec	Unit	QTY	Note
1	A20001	Top cover		PCS	1	
2	A20049	Ticket strips of deck		PCS	2	
3	AA17014	Evaporating pan with heater		PCS	1	
4	AA18005	Deck trays		PCS	2	
5		S21-043 Glass panel, front		SET	2	
6		S21-007 Glass frame		PCS	2	
7	F90-339 (Left)	S21-049 Roller		PCS	8	
8	F90-363 (Right)	S21-012 Door handle, front glass		PCS	2	
9		S21-013 Rubber seal		PCS	2	
10		S21-015 PVC stopper		PCS	6	
11		S21-118 Protector strip		PCS	2	
12		X000541 Alum seal		PCS	2	
13		S21-007 Glass frame		PCS	2	
14	F90-354 (Left)	S21-033 Glass panel, rear		SET	2	
15	F90-364 (Right)	S21-049 Roller		PCS	8	
16		S99-181 Door handle, rear glass		PCS	2	
17		S21-013 Rubber seal		PCS	2	
18		S21-004 Label		PCS	2	
19	S08-074	Condenser	245	PCS	1	
20	S15-281	Elastic ball-valve		PCS	1	
21	S16-040	Thermostat	PBOFOHA10 240V/50HZ	PCS	1	
22	S16-049	Fan guard	120X120	PCS	2	
23	S16-061	Filter	ELIMINATOR/DML-0535-3/8"	PCS	1	
24	S16-078	Evaporator	90X195X76	PCS	1	
25	S16-388	Terminal block	250VAC, 2.5MM2	PCS	3	
26	S16-452	Circuit breaker	NC18-20/20 AC230V 50°60HZ	PCS	1	
27	S16-469	Connector, 3-PIN		SET	2	
28	S16-505	Sensor	NTC015HP00-C4RF	PCS	1	
29	S16-566	Fan	SIENG KWE1-SK109AF-22-1	PCS	2	
30	S16-571	Axial flow fan	MA2062-HVL	PCS	1	
31	S16-694	Compressor	SC18G R134A	PCS	1	
32	S16-669	Fan motor	SP-BHEEM2 (9W)	PCS	1	
33	S16-687	Fan blade	FV800C30S38	PCS	1	
34	S16-688	Fan housing of motor	Φ 230-80	PCS	1	
35	S16-696	Heater	190W	PCS	1	
36	S19-008	Plastic footing	M10*55	PCS	4	
37	S21-010	Side glass		PCS	2	
38	S21-292	LED light	L=700	PCS	3	
39	S21-300	DC power supply	NES-50-12	PCS	1	
40	S21-313	LED extrusion	L=787MM	PCS	5	
41	S21-333	Coupling pipe	20X1/2"	PCS	1	
42	S21-334	PVC pipe	DE20	PCS	0.1	
43	S25-063	Shelf	400X238	PCS	2	
44	S25-066	Shelf	400X300	PCS	1	
45	S25-067	Shelf	320X238	PCS	2	
46	S25-068	Shelf	320X300	PCS	1	
47	X000463	Crossbeam of shelf-right		PCS	1	
48	X000464	Crossbeam of shelf-left		PCS	1	
49	X000465	Crossbeam of shelf-right		PCS	1	
50	X000466	Crossbeam of shelf-left		PCS	1	