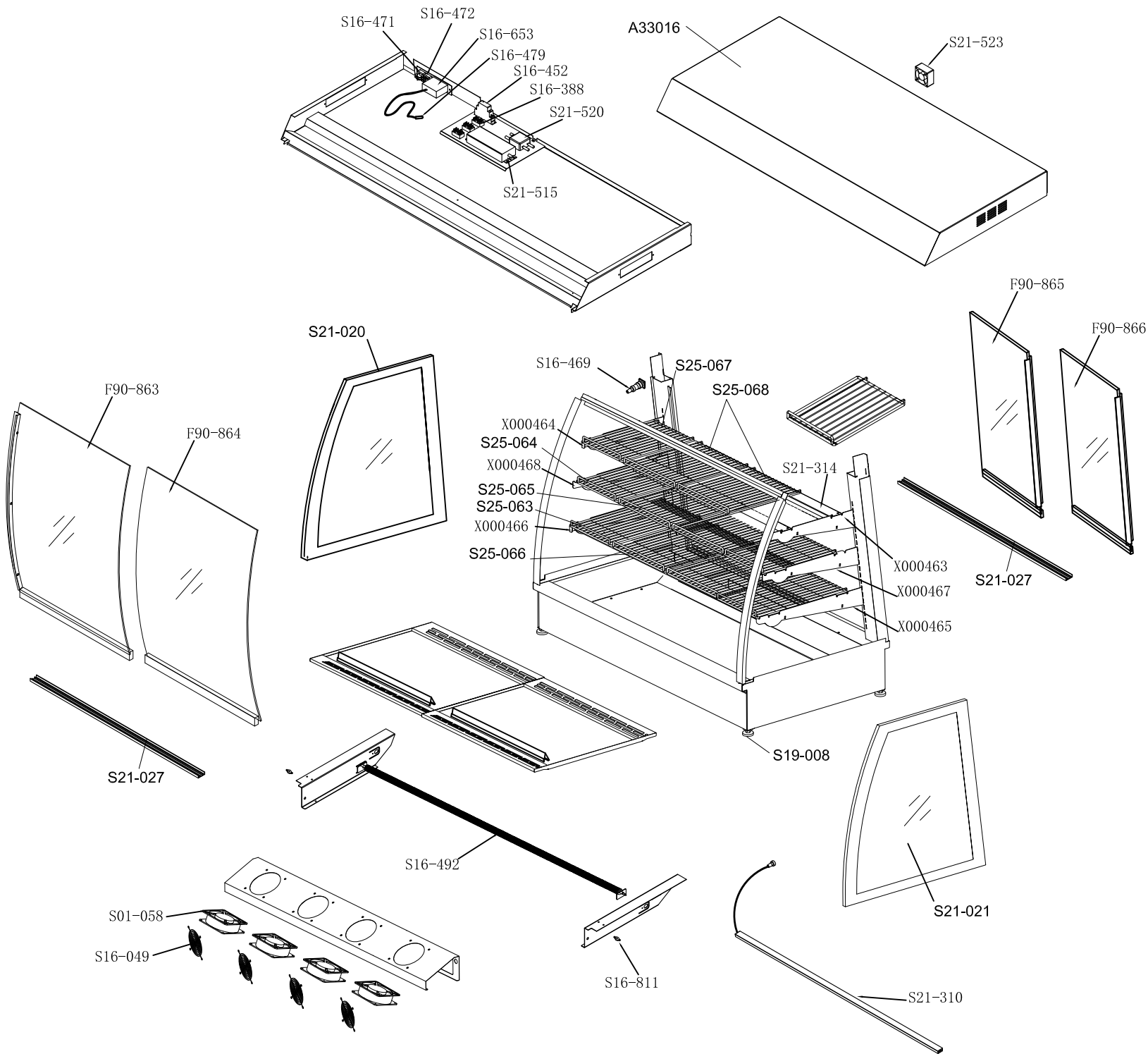


VER	DESCRIPTION OF REVISIONS	DATE
A-1		2016/02/23



## F90-716 C4HT12 Part list

Part No	Name	Qty
A33016	New Top Hood	1
F90-863	Left Front Door Assy	1
F90-864	Right Front Door Assy	1
F90-865	Left Rear Door Assy	1
F90-866	Right Rear Door Assy	1
S01-058	BLOWER	4
S16-049	Fan guard	4
S16-388	TERMINAL BLOCK	3
S16-452	CIRCUIT BREAKER	1
S16-469	CONNECTOR,3-PIN	2
S16-471	POWER SUPPLY BUTTON	1
S16-472	LAMP BOTTOM	1
S16-479	SENSOR	1
S16-492	HEATER 2000W/240V Φ8/ Φ24X1020MM	1
S16-653	THERMOSTAT	1
S16-811	Thermal Protector KSD301 90℃	2
S19-008	RUBBER FOOTING	4
S21-020	SIDE GLASS LEFT	1
S21-021	SIDE GLASS RIGHT	1
S21-027	ROLLER GUIDE	2
S21-310	LED light L=1000	3
S21-314	LED extrusion L=1087MM	6
S21-515	Water Proof Power Supply LW100-0120833-BC00	1
S21-520	EMI Filter HT170-10-L8-B3	1
S21-523	Flow Fan SUNON EE60251B2-000C-999	1
S25-063	Shelf 400X238	2
S25-064	Shelf 360X238	2
S25-065	Shelf 360X300	2
S25-066	Shelf 400X300	2
S25-067	Shelf 320X238	2
S25-068	Shelf 320X300	2
X000463	Crossbeam Of Shelf-right	1
X000464	Crossbeam Of Shelf-left	1
X000465	Crossbeam Of Shelf-right	1
X000466	Crossbeam Of Shelf-left	1
X000467	Crossbeam Of Shelf-right	1
X000468	Crossbeam Of Shelf-left	1