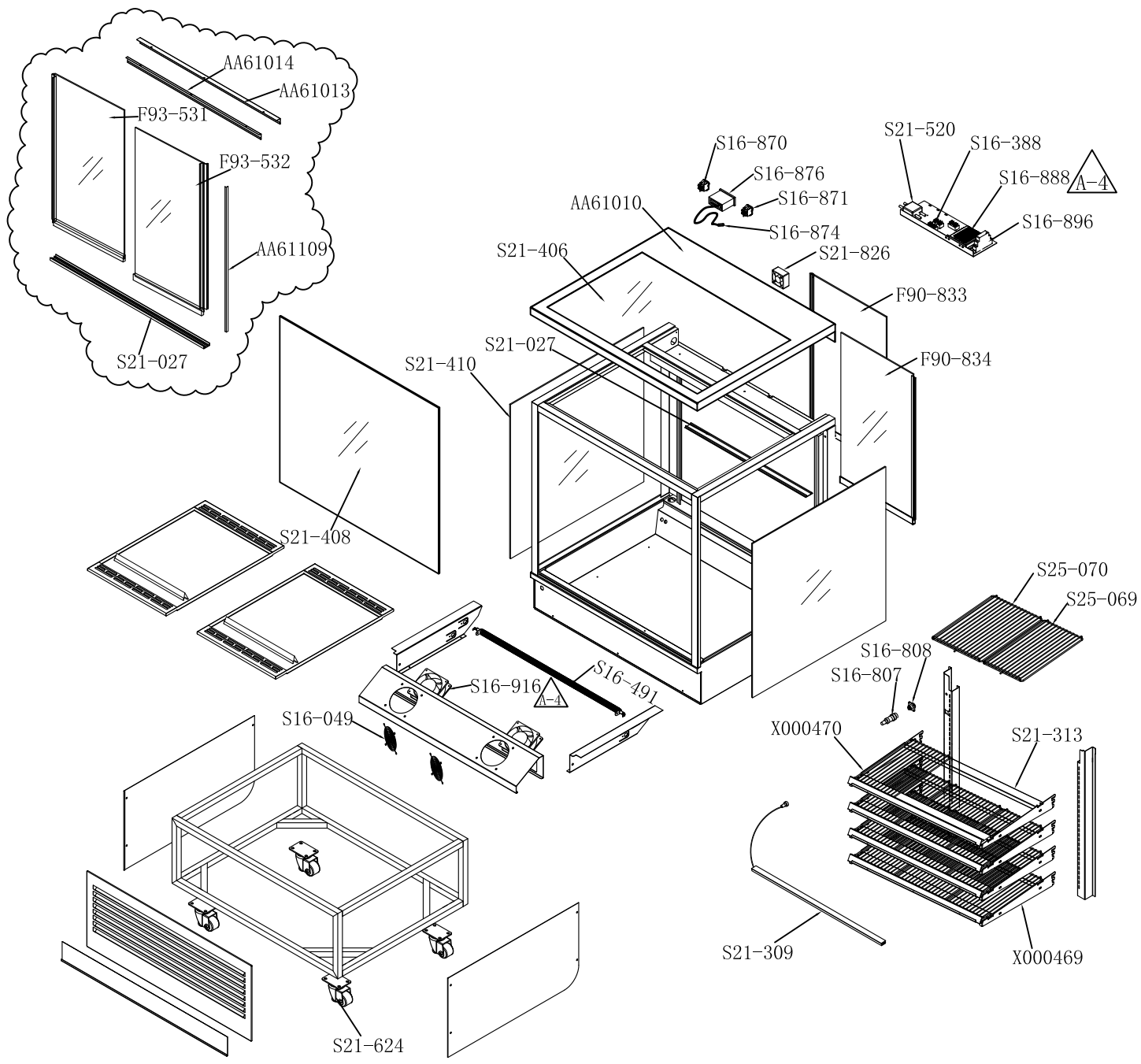


VER	DESCRIPTION OF REVISIONS	DATE
A-1		2016/08/09
A-2	The digital thermostat changes to S16-876	2017/11/20
A-3	Circuit breaker changes to S16-896 Flow fan changes to S21-826	2019/01/18
A-4	Fan changes to S16-916 Power Supply changes to S16-888	2019/12/17



F92-665 BTGHT9 Part List

Part No.	Name	Spec	QTY
AA61010	Top cover		1
F90-833	Left Rear Door Assy		1
F90-834	Right Rear Door Assy		1
S16-049	Fan guard	120X120	2
S16-388	Terminal block	250VAC, 2.5MM2	3
S16-491	Heater	1500W/240V Φ8/Φ24X720MM	1
S16-807	Plug	WS16J3TQ-C, WEIPU, 3P	3
S16-808	Socket	WS16K3Z-C, WEIPU, 3P	4
S16-870	Power supply button	Dixell CXLS green	1
S16-871	Lamp button	Dixell CXLS yellow	1
S16-874	Sensor	Dixell NS6S 1.5M BN11080150	1
S16-876	Thermostat	Dixell XR02CX 240V/50HZ	1
S16-888	Power Supply	LRS-75-12, 12V/6A	1
S16-896	Circuit breaker	ICT 1N0 230~240V 25A	1
S16-916	Fan	FULLTEC UF-12AM23BTHH	2
S21-027	Door track		1
S21-309	LED light	L=700	4
S21-313	LED extrusion	L=787MM	8
S21-406	Top glass		1
S21-408	Front glass		1
S21-410	Side glass		2
S21-520	EMI Filter	HT170-10-L8-B3	1
S21-826	Flow fan	SUNON EE60251B1-000C-999	1
S21-624	Adjustable Castor	2"	4
S25-069	Shelf	445X238	8
S25-070	Shelf	445X300	4
X000469	Crossbeam of shelf-right		4
X000470	Crossbeam of shelf-left		4
F93-531	Left Front Door Assy		1
F93-532	Right Front Door Assy		1
AA61013	Front Door Track A		1
AA61014	Front Door Track B		2
AA61109	Side Glass Frame		1
S21-027	Door track		1