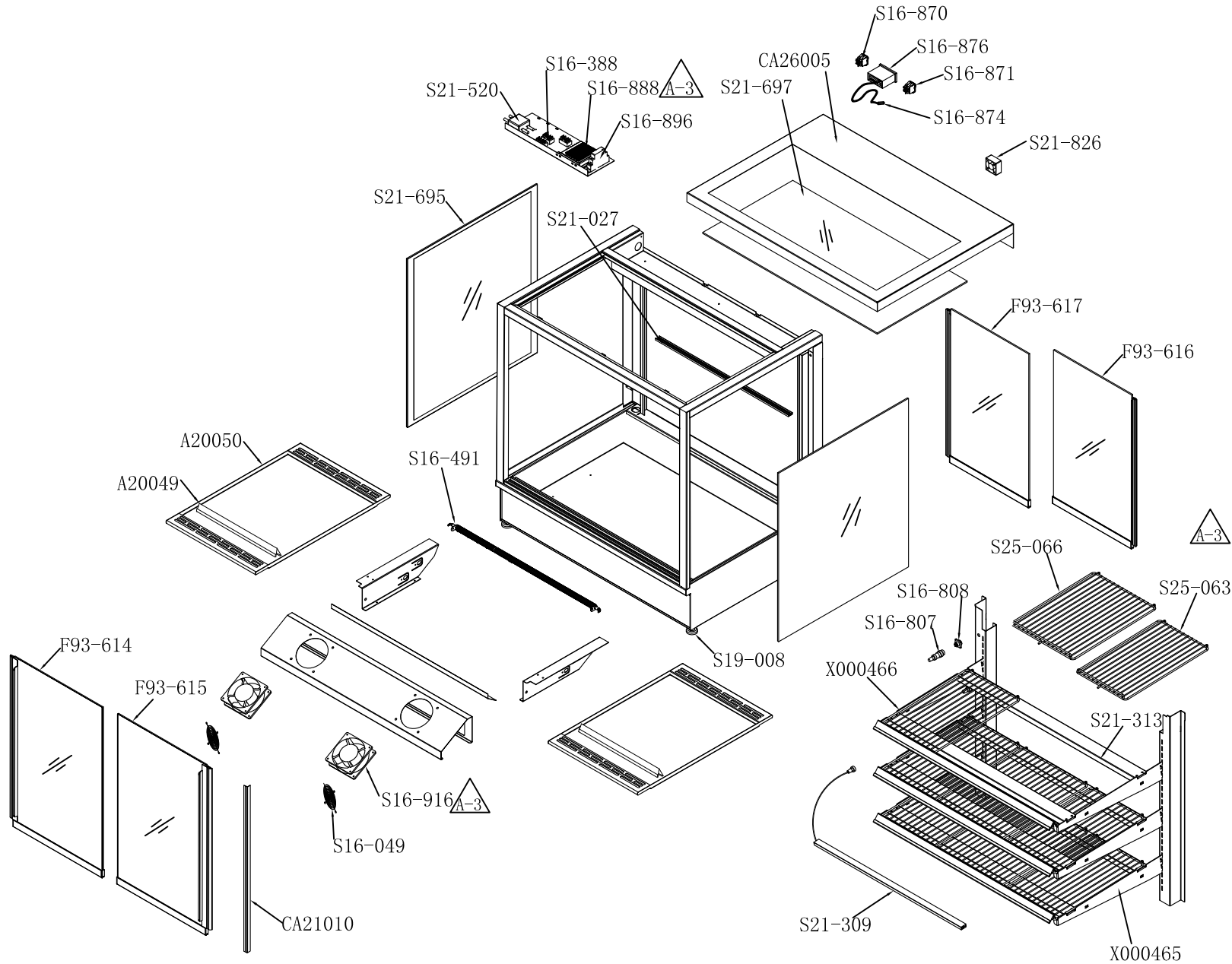


VER	DESCRIPTION OF REVISIONS	DATE
A-0		2016/12/20
A-1	The digital thermostat changes to S16-876	2017/11/15
A-2	Circuit breaker changes to S16-896 Flow fan changes to S21-826	2018/11/15
A-3	Fan changes to S16-916 Power Supply to S16-888	2020/01/13



Cossiga F93-031 STGHT9			
Part No.	Name	Spec	QTY
CA26005	Top cover		1
A20050	Deck trays		2
A20049	Ticket strips of deck		2
F93-616	Left Rear Door Assy		1
F93-617	Right Rear Door Assy		1
S16-049	Fan guard	120X120	2
S16-388	Terminal block	250VAC, 2.5MM2	3
S16-491	Heater	1500W/240V Φ8/Φ24X720MM	1
S16-807	Plug	WS16J3TQ-C, WE1PU, 3P	2
S16-808	Socket	WS16K3Z-C, WE1PU, 3P	3
S16-870	Power supply button	Dixell CXLS green	1
S16-871	Lamp button	Dixell CXLS yellow	1
S16-874	Sensor	Dixell NS6S 1.5M BN11080150	1
S16-876	Thermostat	Dixell XR02CX 240V/50HZ	1
S16-896	Circuit breaker	ICT 1N0 230~240V 25A	1
S16-888	Water Proof Power Supply	LRS-75-12, 12V/6A	1
S16-916	Fan	FULLTEC UF-12AM23BTHH	2
S19-008	Plastic footing	M10*55	4
S21-027	Door track		2
S21-309	LED light	L=700	3
S21-313	LED extrusion	L=787MM	6
S21-520	EMI Filter	HT170-10-L8-B3	1
S21-697	Top glass		1
S21-695	Side glass		2
S21-826	Flow fan	SUNON EE60251B1-000C-999	1
S25-063	Shelf	400X238	6
S25-066	Shelf	400X300	3
X000465	Crossbeam of shelf-right		3
X000466	Crossbeam of shelf-left		3
F93-614	Left Front Door Assy		1
F93-615	Right Front Door Assy		1
CA21010	Side Glass Frame		1