

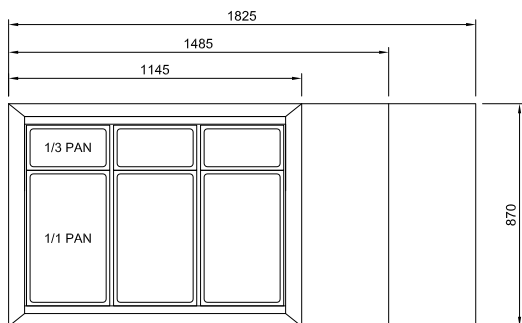
CABINET DIMENSIONS & SPECIFICATIONS

MODEL	CABINET				BENCH TOP CUT OUT HOLE SIZE	PANS	TEMP RANGE	REFRIGERANT	FREQUENCY	POWER		CONNECTION ELECTRICAL POWER CORD 3000MM		VOLTAGE	PACKED FOR SHIPPING			
	LENGTH [MM]	DEPTH [MM]	HEIGHT [MM]	WEIGHT [KG]						KW 230V	AMPS	NZ 10 AMP	UK 13 AMP		LENGTH [MM]	DEPTH [MM]	HEIGHT [MM]	WEIGHT [KG]
LSDRF3	1145	870	555	145	1125x850	3 x 1/1 3 x 1/3	2-5	R290	50 HZ	0.82	4.5	3 PIN PLUG	3 PIN PLUG	220-240V	1250	950	870	148
LSDRF4	1485	870	555	175	1465x850	3 x 1/1 3 x 1/3	2-5	R290	50 HZ	0.82	4.5	3 PIN PLUG	3 PIN PLUG	220-240V	1590	950	870	175
LSDRF5	1825	870	555	200	1805x850	3 x 1/1 3 x 1/3	2-5	R290	50 HZ	1.95	6	3 PIN PLUG	3 PIN PLUG	220-240V	1930	950	870	200

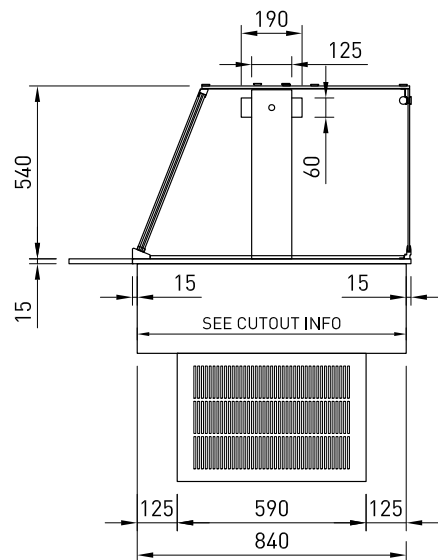
PRODUCT FEATURES

- 870mm deep
- Deck forced refrigeration
- Canopy LED light
- Integral condensor
- Self evaporating
- 65mm deep pans supplied
- Full square glass canopy
- 200mm rear service shelf

Rear service shelf supplied. Installation optional.



LSDRF SIDE ELEVATION



GASTRO PANS

Units supplied with 1/1 and 1/3 pans at 65mm deep, max pan depth is 100mm

ELECTRICAL POWER

Electrical power cord 2200mm
3 pin 10 amp 1 phase socket required.
Maximum ambient operating temperature
Climate class N Max 28°C, at 60% humidity

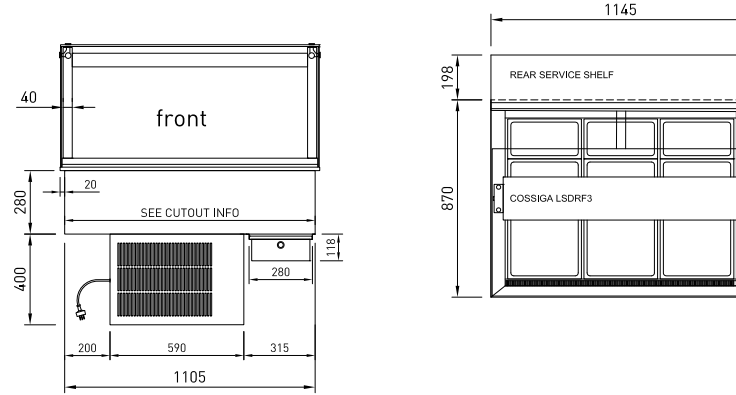
Prior to installation see, installation guidelines, ventilation requirements and drainage options documents

LSDRF

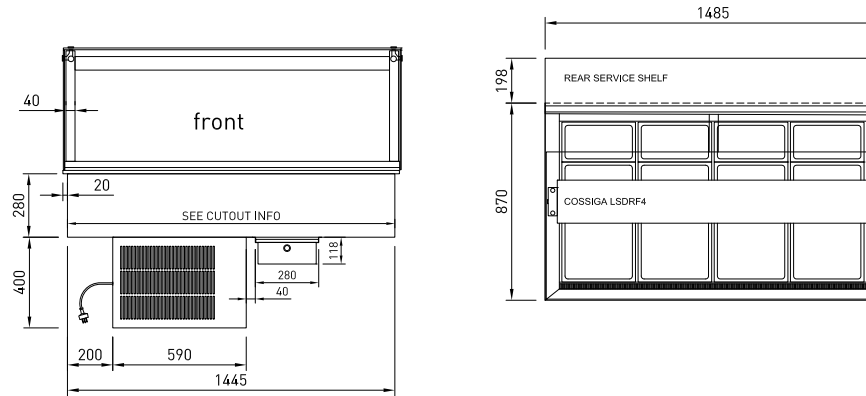
LINEAR SERIES - CHILLED WELL - Full Square Glass Canopy

COSSIGA

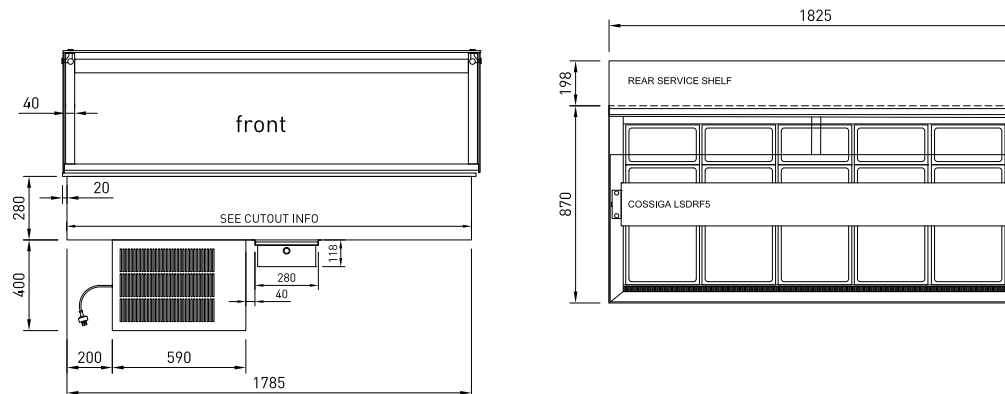
LSDRF3



LSDRF4



LSDRF5



ASSEMBLY REQUIRED