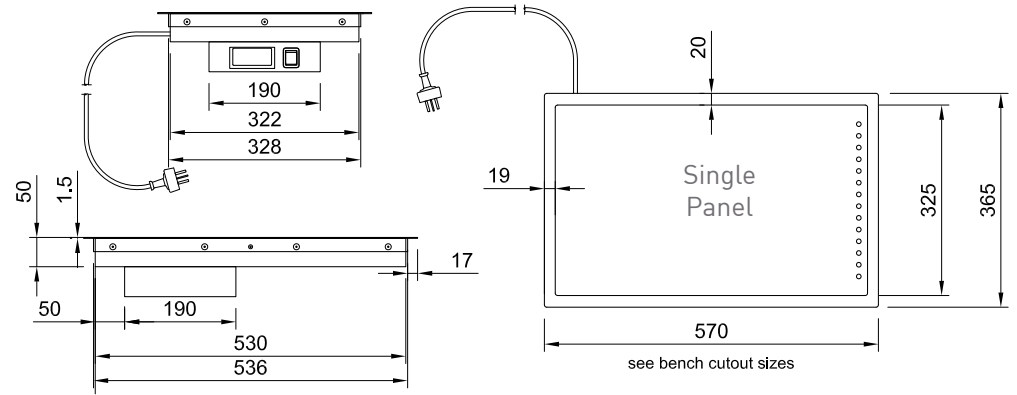




CM^{LSSC}

- Single ceramic heated glass
- Digital thermostatic controller
- Heat indicating LED lights on panel
- Flush mount drop in module



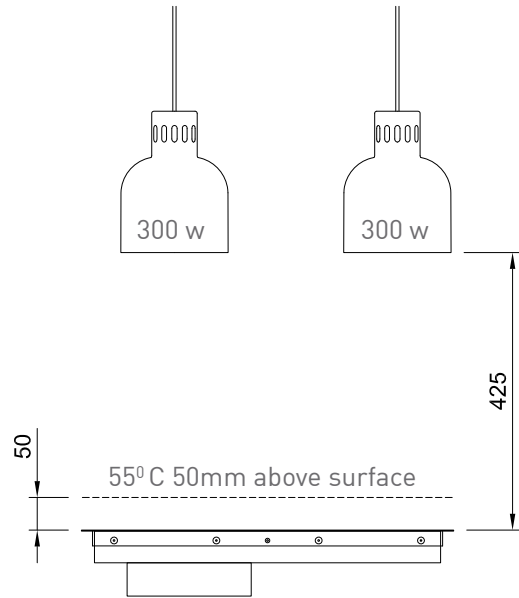
Flush Mount



CABINET DIMENSIONS & SPECIFICATIONS

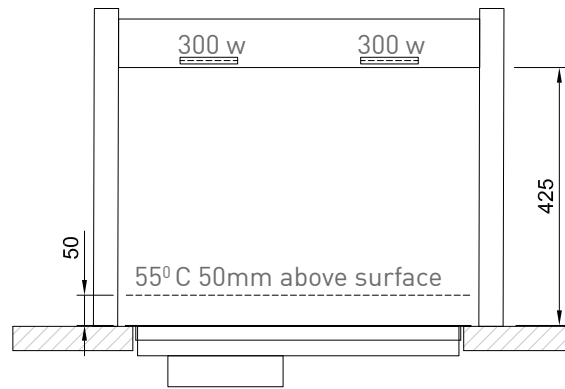
MODEL	CABINET			WEIGHT KG	BENCH TOP CUT OUT HOLE SIZE	TEMP RANGE DEG C	DISPLAY AREA M2	FREQUENCY	OPERATING CURRENT WITH LAMPS AMPS	OPERATING CURRENT NO LAMPS AMPS	POWER WITH LAMPS KW 230V	CONNECTION ELECTRICAL POWER CORD 3000MM NZ/AUS/UK	VOLTAGE	PACKED FOR SHIPPING			
	LENGTH [MM]	DEPTH [MM]	HEIGHT [MM]											LENGTH [MM]	DEPTH [MM]	HEIGHT [MM]	WEIGHT [KG]
LSSC1	570	365	1.5	18	545 x 338	75-95		50/60 HZ		2.52	0.579	10 AMP 3 PIN PLUG	220-240V	680	420	165	20

OVERHEAD LAMP OPTION -by others



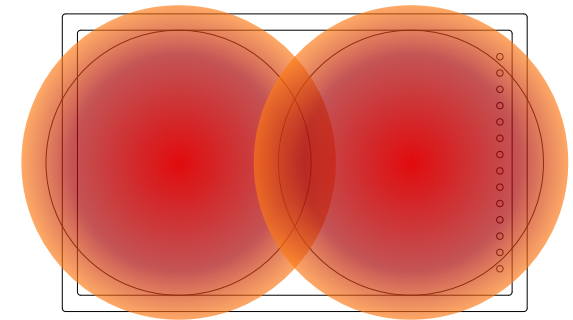
COSSIGA OVERHEAD GANTRY

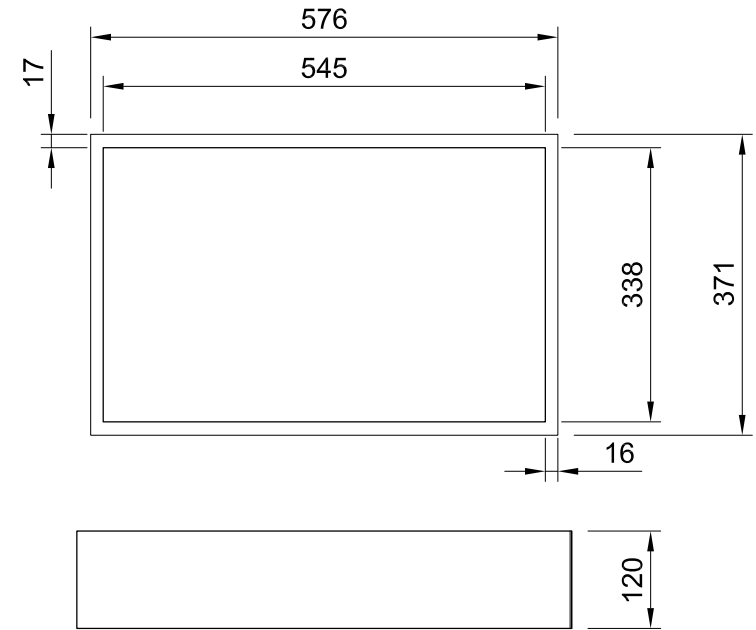
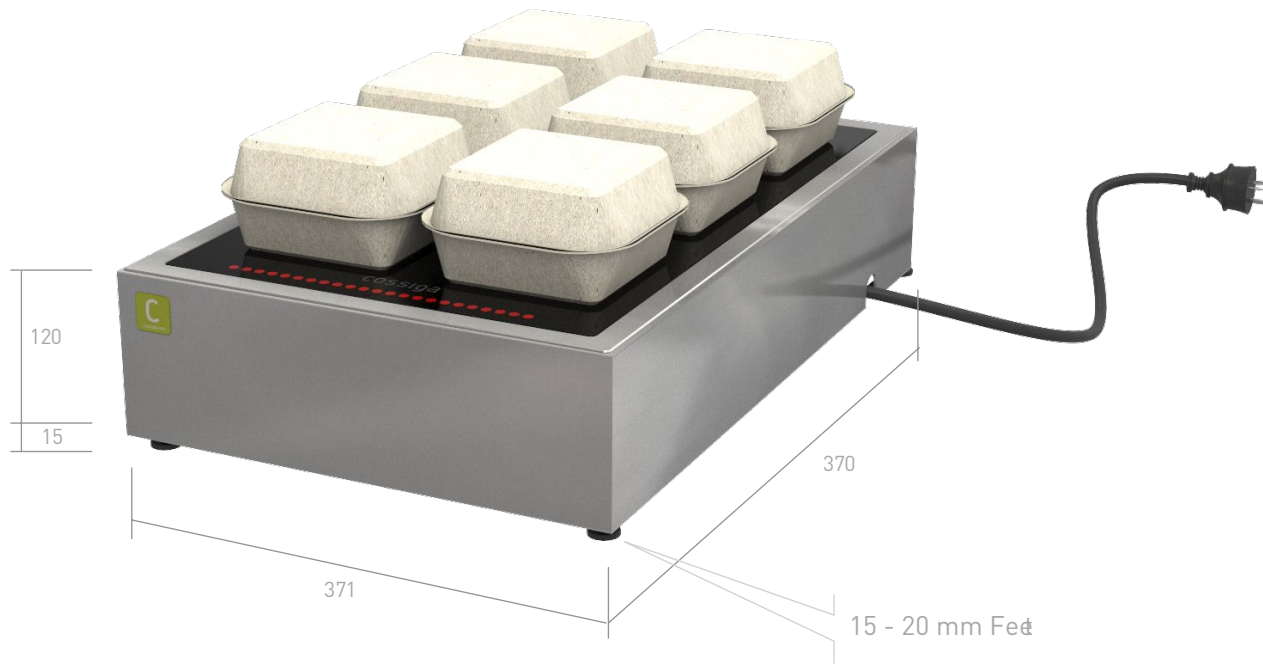
For matching overhead heat source to match Cossiga supplied gantry use 300 watt halogen bulb



HEAT SPREAD

Check heat spread from chosen overhead heat source





- Stainless steel construction
- Easy placement of LSSC1

