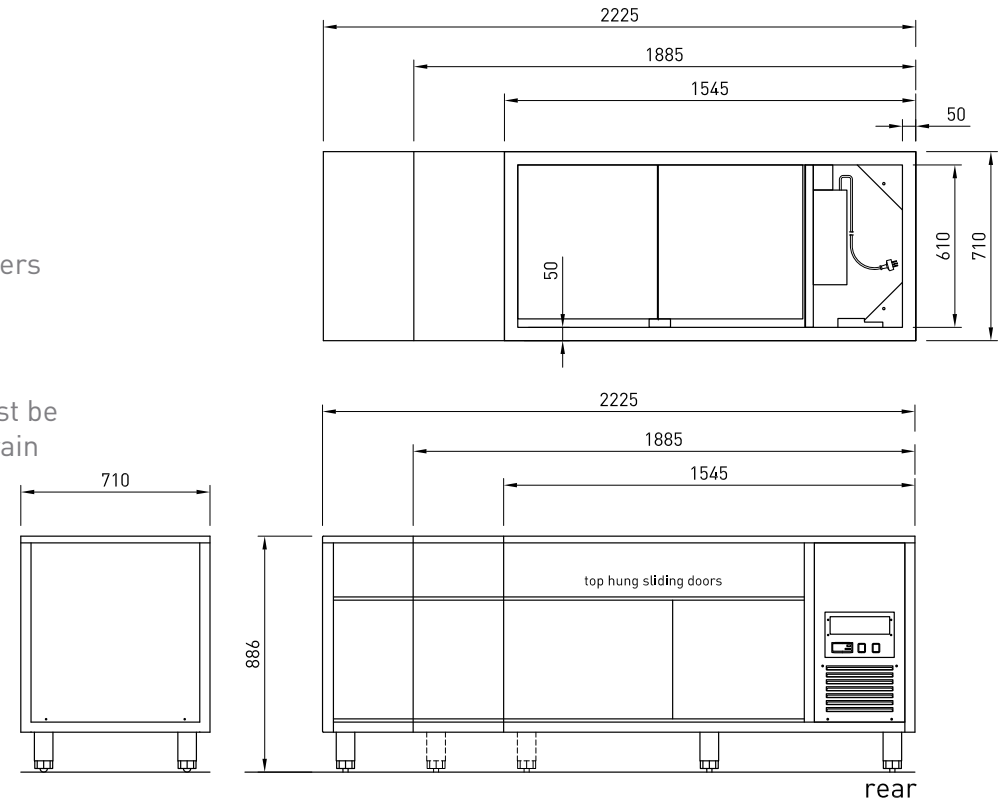




HC LSHC4 LSHC5 LSHC6

- Stainless Steel 304 construction
- Fits LSBM & LSCM 4,5,6
- Sliding doors
- Separate hot cupboard controller
- Adjustable feet with recessed rollers for easy manoeuvrability
- Fan forced heat delivery

When Bain Marie unit fitted it must be plumbed for cold water fill and drain to waste



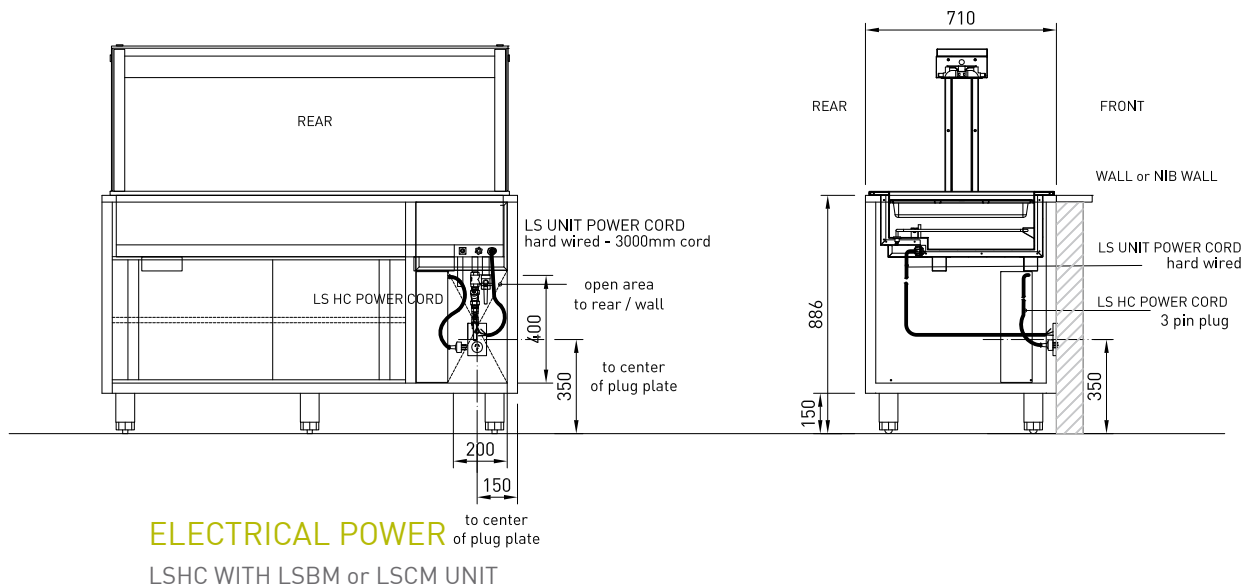
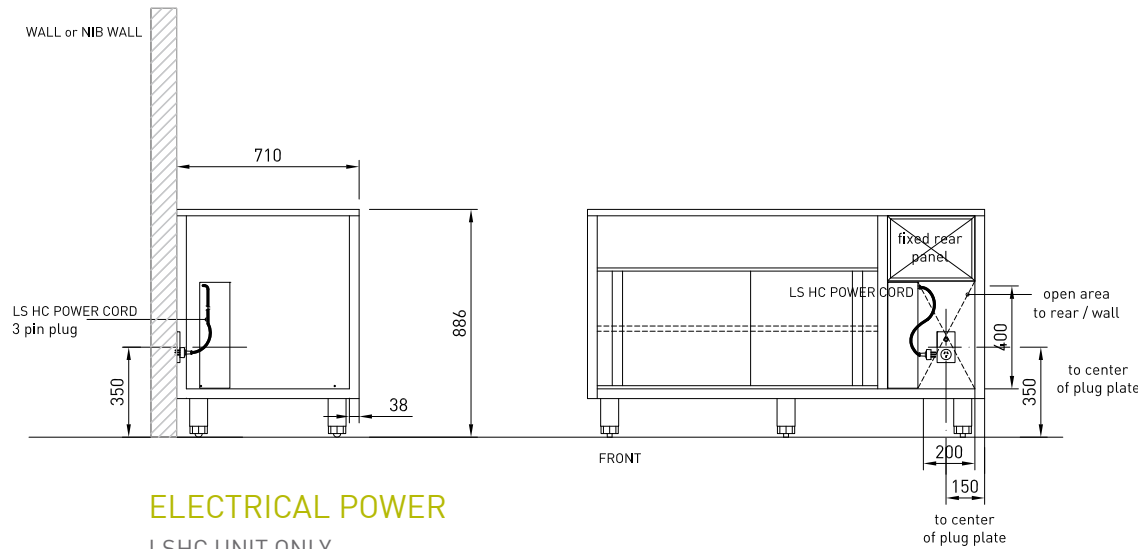
rear

CABINET DIMENSIONS & SPECIFICATIONS

MODEL	CABINET				OPERATING TEMP DEG C	SHELF INTERNAL 1 X MID SHELF W X D	FITS UNITS 100MM UNITS	INTERNAL VOLUME M ³	FREQUENCY	POWER		CONNECTION ELECTRICAL POWER CORD 2200MM		VOLTAGE	PACKED FOR SHIPPING			
	LENGTH [MM]	DEPTH [MM]	HEIGHT [MM]	WEIGHT [KG]						KW 230V	AMP	NZ/AUS 3 PIN 10 AMP	UK 13 AMP		LENGTH [MM]	DEPTH [MM]	HEIGHT [MM]	WEIGHT
LSCH4	1545	710	886	163	45-75	1080 X 630	LSBM4 LSCM4	0.32	50/60 HZ	1.06	4.6	3 PIN PLUG	3 PIN PLUG	220-240V	1695	820	1044	153
LSCH5	1885	710	886	184	45-75	1400 X 630	LSBM5 LSCM5	0.42	50/60 HZ	1.06	4.6	3 PIN PLUG	3 PIN PLUG	220-240V	2035	820	1044	174
LSCH6	2225	710	886	205	45-75	1750 X 630	LSBM6 LSCM6	0.52	50/60 HZ	1.06	4.6	3 PIN PLUG	3 PIN PLUG	220-240V	2375	820	1044	195

ELECTRICAL POWER CONNECTION

- Electrical power connection to plug in wall.
- 3 pin 10amp plug required for LSHC unit
- LSBM LSCM Units hard wired
Amps vary with units

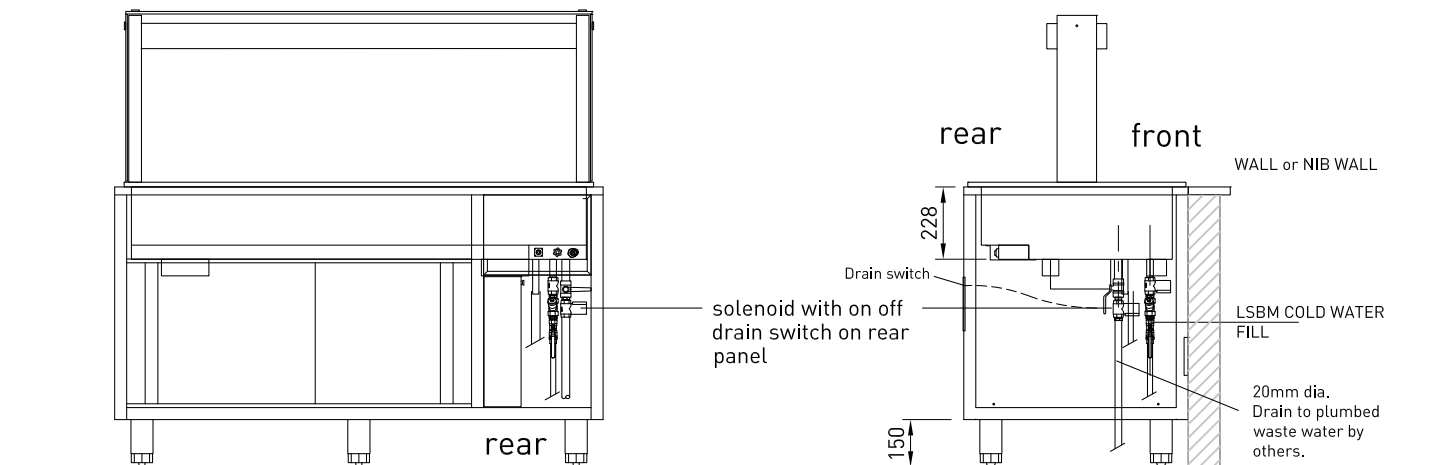
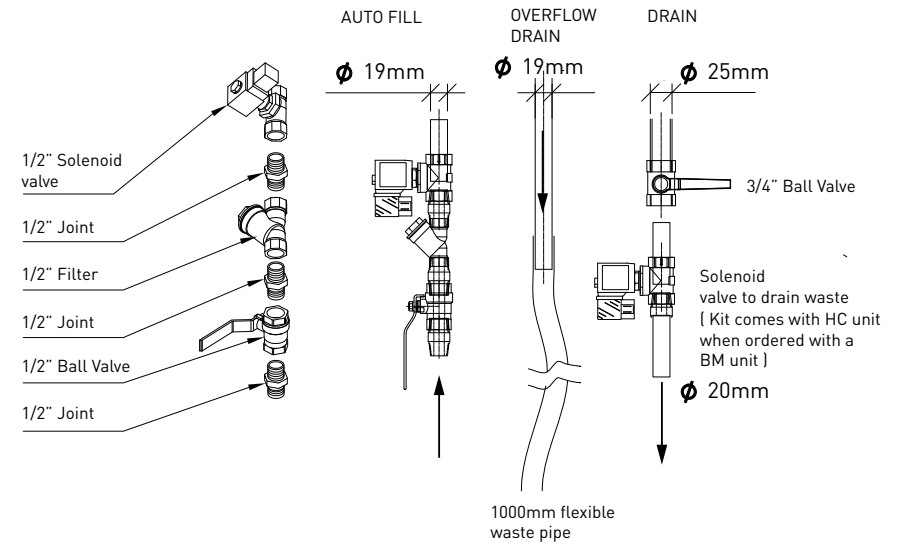


WATER DRAINAGE with BAIN MARIE UNITS

- Screw on stop cock valve drain pipe with solenoid must drain to connected waste.
- Unit is drained with solenoid valve with switch on rear unit control panel.
- Overflow flexible waste pipe 19mm dia.1000 mm length from spigot must be connected to waste.

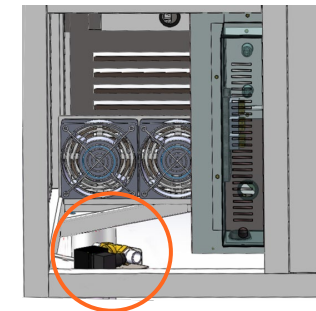
ELECTRICAL POWER CONNECTION

- Drain solenoid wire to be connected to drain switch on rear panel.



WATER CONNECTIONS

LSHC WITH LSBM UNIT



The solenoid valve is shipped attached in the bottom corner of the frame. If using a LSBM, then unscrew the solenoid valve and install it as noted.

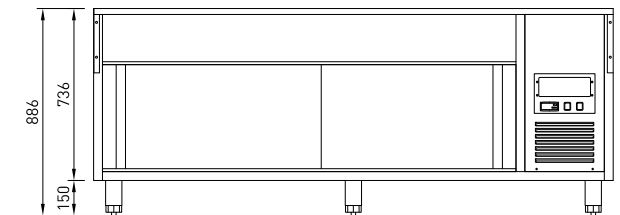
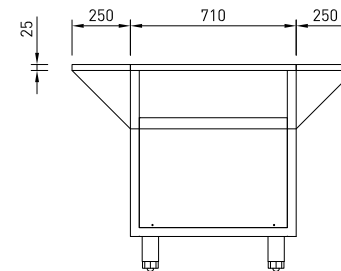
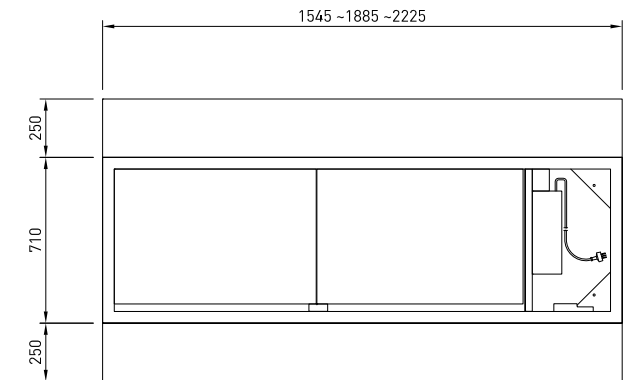


LSHC TOP COVER

- Fitted on top of LSHC unit
- Stainless Steel top and frame with insulated panels
Flush finish to top
- Sold separately
- Available for all LSHC units
LSHC4
LSHC5
LSHC6

LSHC SERVICE SHELF - OPTION

- Fitted to the side of the LSHC unit
 - One side or both sides
 - Stainless Steel
 - Keyhole clip on system
 - Sold separately
- Available for all LSHC units
LSHC4
LSHC5
LSHC6



- Keyhole clip on system