

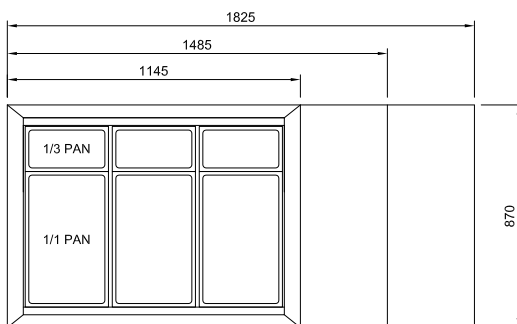
CABINET DIMENSIONS & SPECIFICATIONS

MODEL	CABINET					PANS	WATER FILL	TEMP	DISPLAY AREA	POWER		CONNECTION ELECTRICAL POWER CORD 3000MM	VOLTAGE	PACKED FOR SHIPPING			
	LENGTH [MM]	DEPTH [MM]	HEIGHT [MM]	WEIGHT [KG]	CUT OUTS					65mm Gastro Pans	LITERS			DEG C	M2	KW 230V WITH LAMP	AMPS WITH LAMP
LSDBM3	1145	870	555	101	1120X815	3 x 1/1 3 x 1/3	80	75 - 95	0.76	3.58	15.6	20 AMP LEAD ONLY	220~240V	1250	950	670	139
LSDBM4	1485	870	555	121	1460X815	4 x 1/1 4 x 1/3	106	75 - 95	1.02	4.78	20.8	30 AMP LEAD ONLY	220~240V	1590	950	670	166
LSDBM5	1825	870	555	147	1800X815	5 x 1/1 5 x 1/3	132	75 - 95	1.31	6.09	26.5	30 AMP LEAD ONLY	220~240V	1930	950	670	199

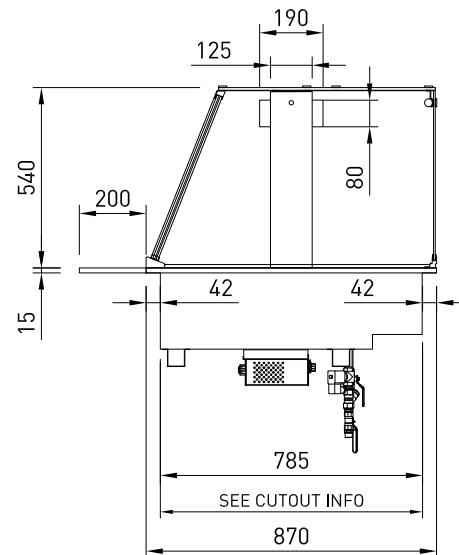
PRODUCT FEATURES

- Dual purpose used wet or dry
- Auto Fill - Dry elements
- Overhead halogen lights with adjustable dimmer
- Full size pans 65mm deep supplied (max 100mm)

Rear service shelf supplied. Installation optional.



LSBM LEFT SIDE ELEVATION



GASTRO PANS

Units supplied with 1/1 pans at 65mm deep, max pan depth is 100mm

ELECTRICAL POWER

Electrical power cord 3000mm 1 phase connection required. Unit must be hard wired on site to isolation switch.

WATER DRAINAGE

Screw on stop cock valve drain pipe Ideally drain connected to waste. Overflow flexible waste pipe 19mm dia.1000 mm length from spigot must be connected to waste.

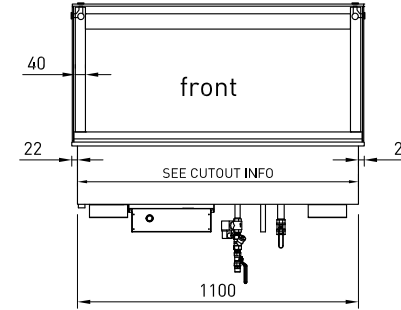
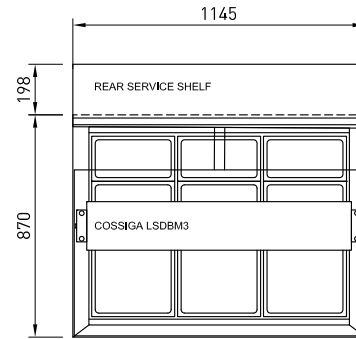
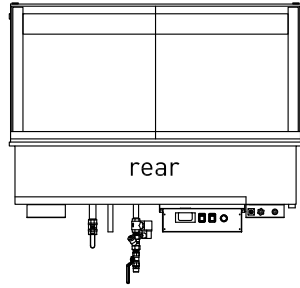
Prior to installation see, installation guidelines, ventilation requirements and drainage options documents

LSDBM

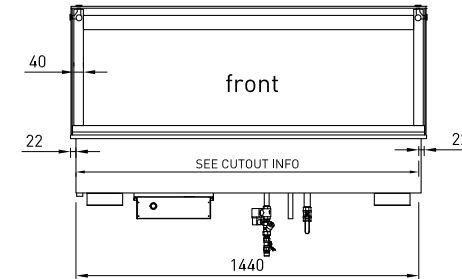
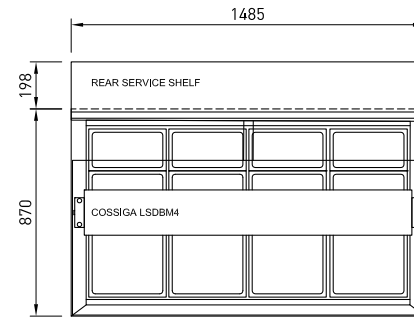
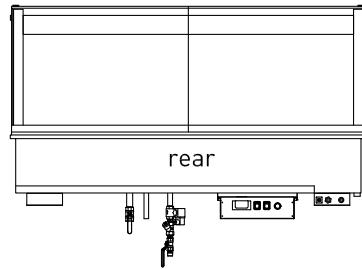
LINEAR SERIES - BAIN MARIE - Full Square Glass Canopy

COSSIGA

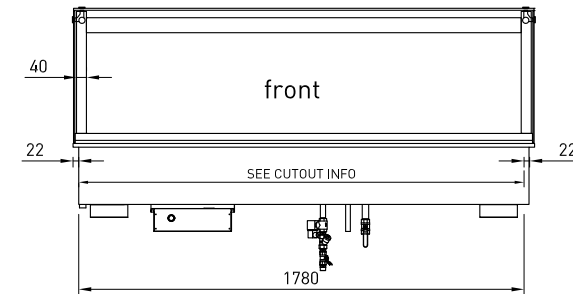
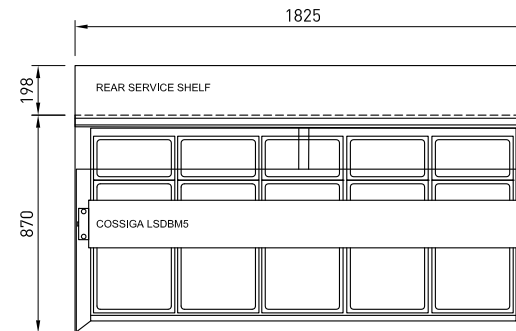
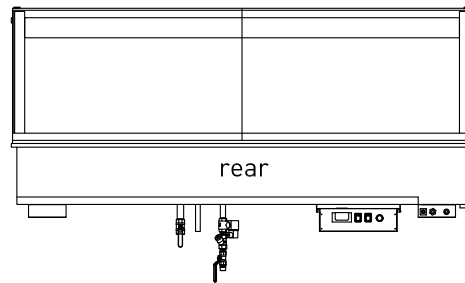
LSDBM3



LSSBM4



LSSB



ASSEMBLY REQUIRED