

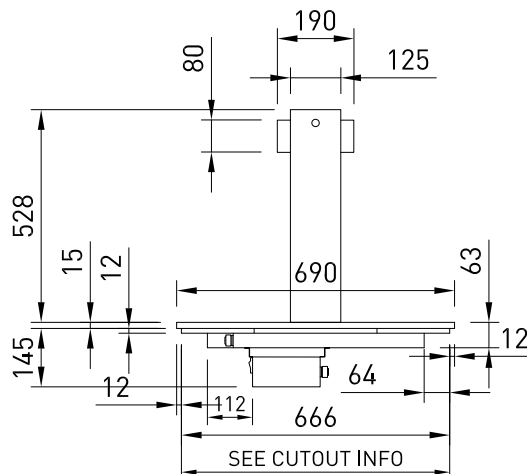
CABINET DIMENSIONS & SPECIFICATIONS

MODEL	CABINET			WEIGHT KG	BENCH TOP CUT OUT HOLE SIZE	TEMP RANGE DEG C	DISPLAY AREA M2	FREQUENCY	OPERATING CURRENT WITH LAMPS	POWER WITH LAMPS KW 230V	CONNECTION ELECTRICAL POWER CORD 3000MM NZ/AUS/UK	VOLTAGE	PACKED FOR SHIPPING			
	LENGTH [MM]	DEPTH [MM]	HEIGHT [MM]										LENGTH [MM]	DEPTH [MM]	HEIGHT [MM]	WEIGHT [KG]
LSCM3	1145	690	555	88	1115x672	75 -95	0.51	50/60 HZ	11.7 AMP	2.691	15 AMP LEAD ONLY	220-240V	1250	770	410	88
LSCM4	1485	690	555	107	1455x672	75 -95	0.68	50/60 HZ	15.7 AMP	3.611	20 AMP LEAD ONLY	220-240V	1590	770	410	107
LSCM5	1825	690	555	128	1795x672	75 -95	0.86	50/60 HZ	19.6 AMP	4.508	20 AMP LEAD ONLY	220-240V	1930	770	410	128
LSCM6	2165	690	555	140	2135x672	75 -95	1.04	50/60 HZ	23.5 AMP	5.405	30 AMP LEAD ONLY	220-240V	2270	770	410	140

PRODUCT FEATURES

- Ceramic Heated Glass
- Overhead Halogen Lamps
- Digital thermostatic controller
- Heat indicating LED lights

LSCM LEFT SIDE ELEVATION



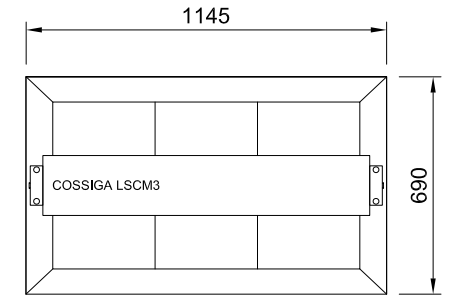
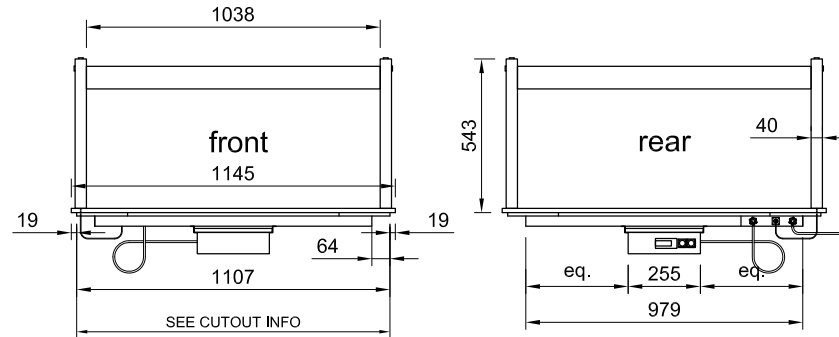
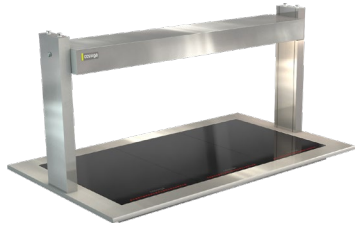
ELECTRICAL POWER

Electrical power cord 3000mm 1 phase connection required.
Unit must be hard wired on site to isolation switch.

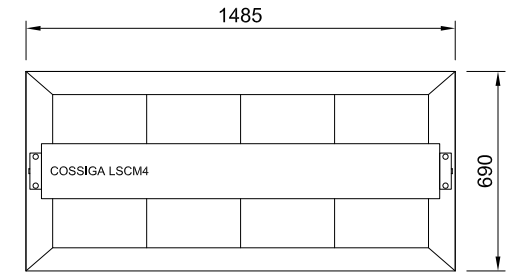
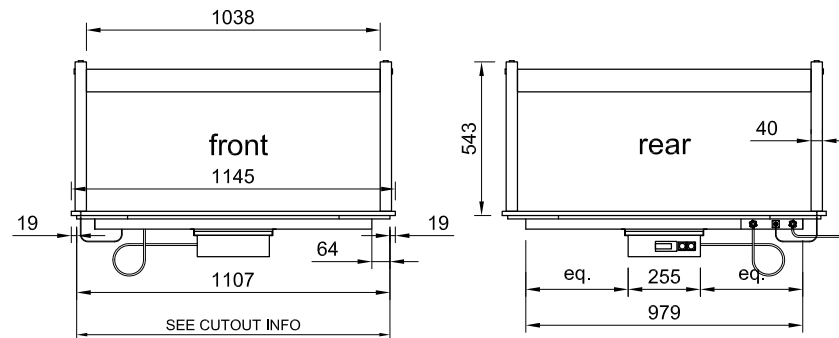
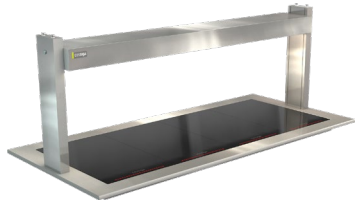
ASSEMBLY REQUIRED

Prior to installation see, installation guidelines, ventilation requirements and drainage options documents

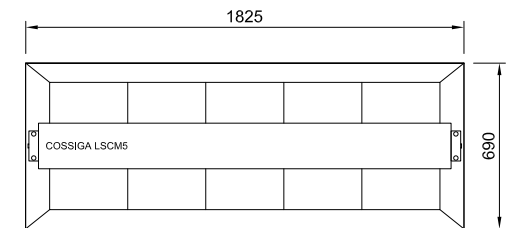
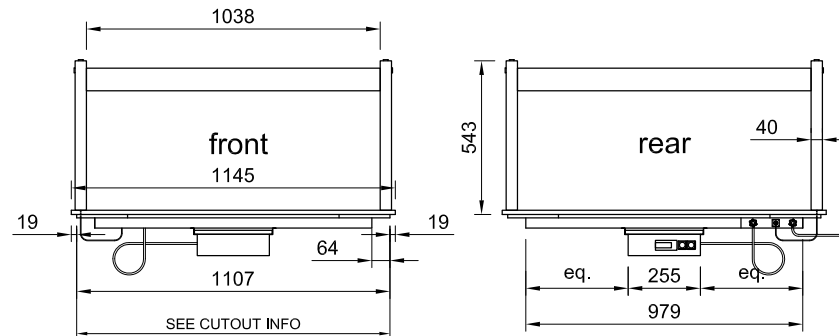
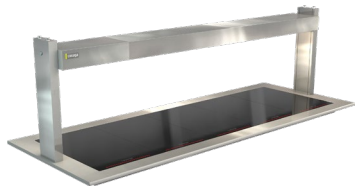
LSCM3



LSCM4

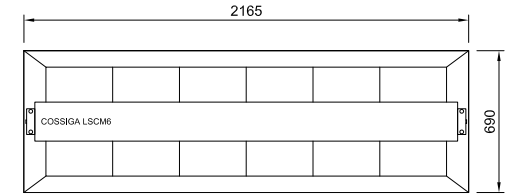
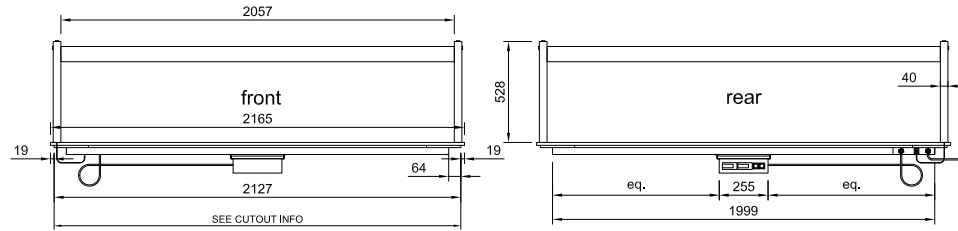
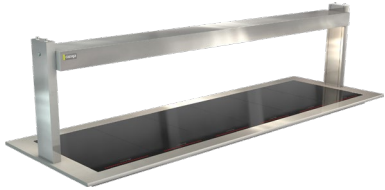


LSCM5



ASSEMBLY REQUIRED

LSCM6



ASSEMBLY REQUIRED

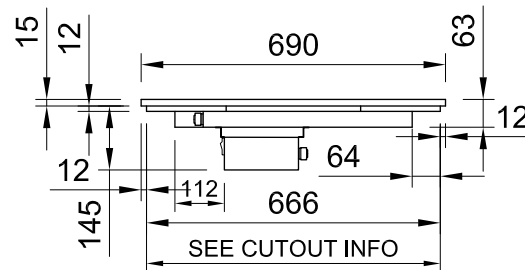
CABINET DIMENSIONS & SPECIFICATIONS

MODEL	CABINET			WEIGHT KG	BENCH TOP CUT OUT HOLE SIZE	TEMP RANGE DEG C	DISPLAY AREA M2	FREQUENCY	OPERATING CURRENT NO GANTRY	POWER KW 230V	CONNECTION ELECTRICAL POWER CORD 3000MM NZ/AUS/UK	VOLTAGE	PACKED FOR SHIPPING			
	LENGTH [MM]	DEPTH [MM]	HEIGHT [MM]										LENGTH [MM]	DEPTH [MM]	HEIGHT [MM]	WEIGHT [KG]
LSCM3-NG	1145	690	555	86	1115x672	75 -95	0.51	50/60 HZ	7.61 AMP	1.67	15 AMP LEAD ONLY	220-240V	1250	770	410	86
LSCM4-NG	1485	690	555	100	1455x672	75 -95	0.68	50/60 HZ	10.25 AMP	2.25	20 AMP LEAD ONLY	220-240V	1590	770	410	100
LSCM5-NG	1825	690	555	120	1795x672	75 -95	0.86	50/60 HZ	12.78 AMP	2.81	20 AMP LEAD ONLY	220-240V	1930	770	410	120
LSCM6-NG	2165	690	555	130	2135x672	75 -95	1.04	50/60 HZ	20.32AMP	3.37	30 AMP LEAD ONLY	220-240V	2270	770	410	130

PRODUCT FEATURES

- Ceramic Heated Glass
- Overhead Halogen Lamps
- Digital thermostatic controller
- Heat indicating LED lights

LSCM-NG LEFT SIDE ELEVATION



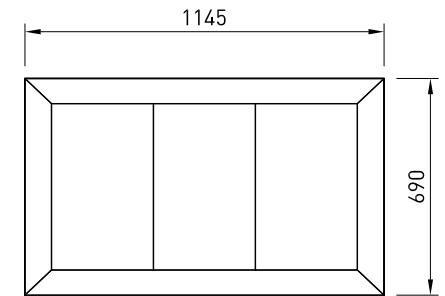
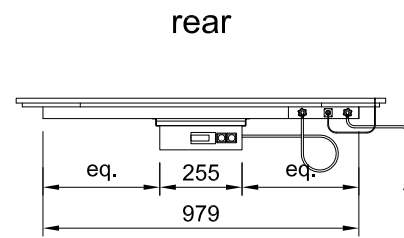
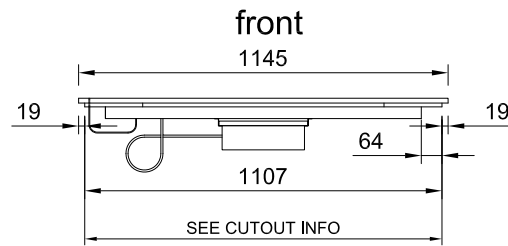
ELECTRICAL POWER

Electrical power cord 3000mm 1 phase connection required.
Unit must be hard wired on site to isolation switch.

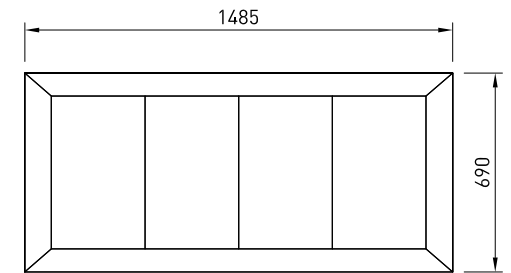
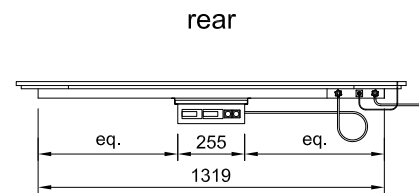
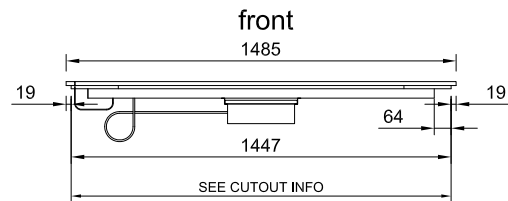
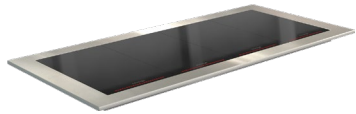
ASSEMBLY REQUIRED

Prior to installation see, installation guidelines, ventilation requirements and drainage options documents

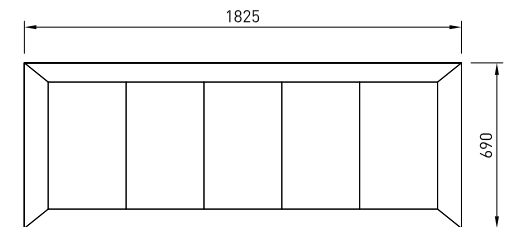
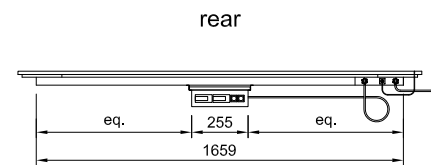
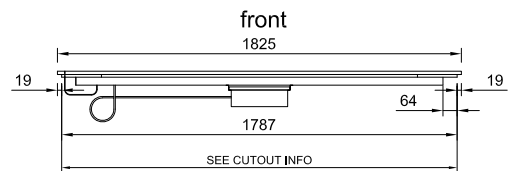
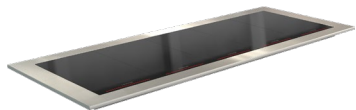
LSCM3-NG



LSCM4-NG



LSCM5-NG

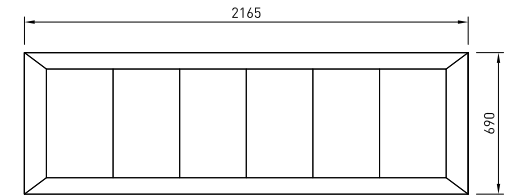
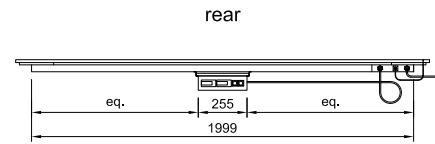
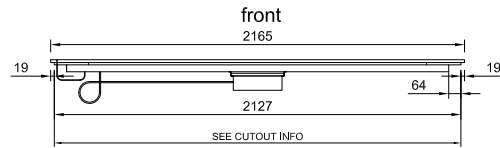
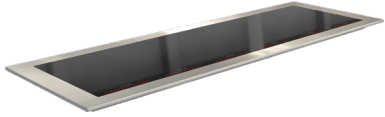


ASSEMBLY REQUIRED

LSCM-NG LINEAR SERIES - CERAMIC HEATED GLASS - No Gantry

COSSIGA

LSCM6-NG



ASSEMBLY REQUIRED

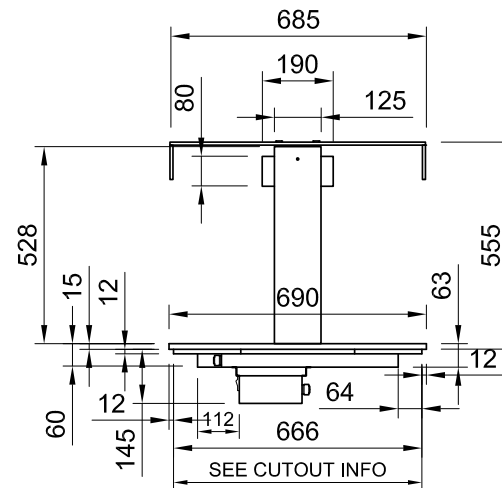
CABINET DIMENSIONS & SPECIFICATIONS

MODEL	CABINET			WEIGHT KG	BENCH TOP CUT OUT HOLE SIZE	TEMP RANGE DEG C	DISPLAY AREA M2	FREQUENCY	OPERATING CURRENT WITH LAMPS	POWER WITH LAMPS KW 230V	CONNECTION ELECTRICAL POWER CORD 3000MM NZ/AUS/UK	VOLTAGE	PACKED FOR SHIPPING			
	LENGTH [MM]	DEPTH [MM]	HEIGHT [MM]										LENGTH [MM]	DEPTH [MM]	HEIGHT [MM]	WEIGHT [KG]
LSCM3-FT	1145	690	555	127	1115x672	75 -95	0.51	50/60 HZ	11.7 AMP	2.691	15 AMP LEAD ONLY	220-240V	1250	770	410	127
LSCM4-FT	1485	690	555	152	1455x672	75 -95	0.68	50/60 HZ	15.7 AMP	3.611	20 AMP LEAD ONLY	220-240V	1590	770	410	152
LSCM5-FT	1825	690	555	182	1795x672	75 -95	0.86	50/60 HZ	19.6 AMP	4.508	20 AMP LEAD ONLY	220-240V	1930	770	410	182
LSCM6-FT	2165	690	555	215	2135x672	75 -95	1.04	50/60 HZ	23.5 AMP	5.405	30 AMP LEAD ONLY	220-240V	2270	770	410	215

PRODUCT FEATURES

- Ceramic Heated Glass
- Overhead Halogen Lamps
- Digital thermostatic controller
- Heat indicating LED lights

LSCM-FT LEFT SIDE ELEVATION



ELECTRICAL POWER

Electrical power cord 3000mm 1 phase connection required.
Unit must be hard wired on site to isolation switch.

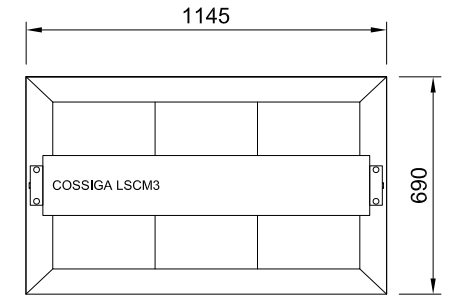
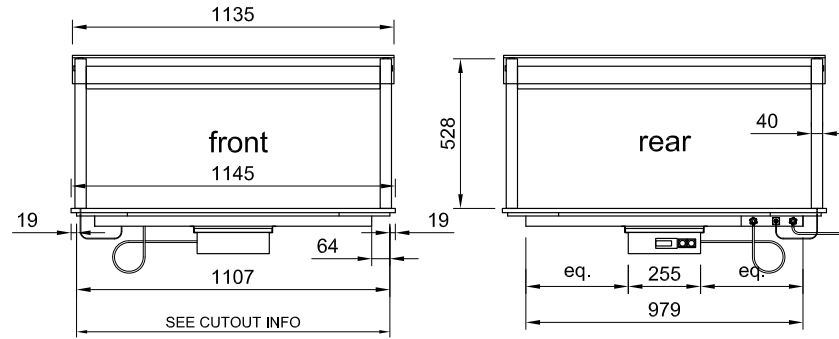
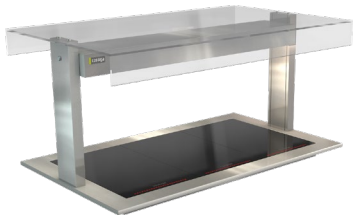
ASSEMBLY REQUIRED

Prior to installation see, installation guidelines, ventilation requirements and drainage options documents

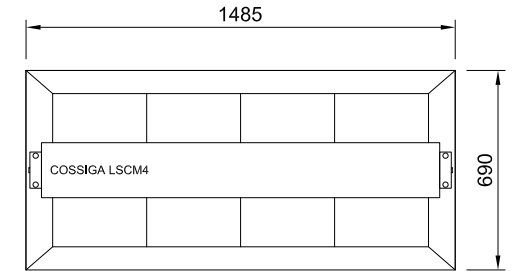
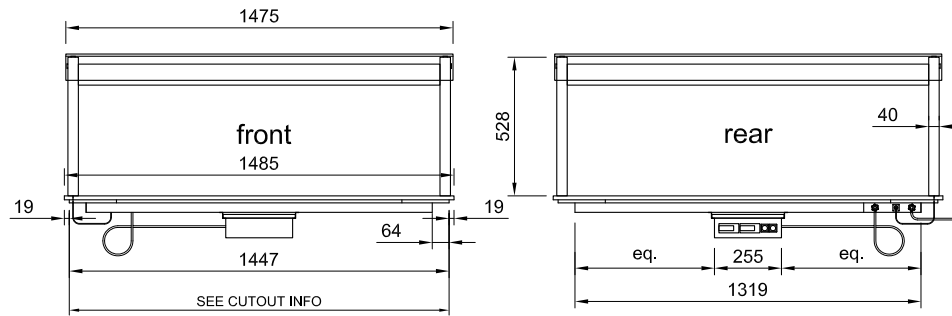
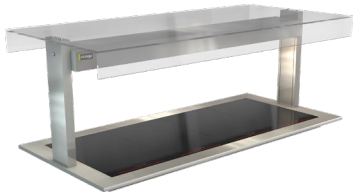
LSCM-FT LINEAR SERIES - CERAMIC HEATED GLASS - Flat Top Sneeze Guard

COSSIGA

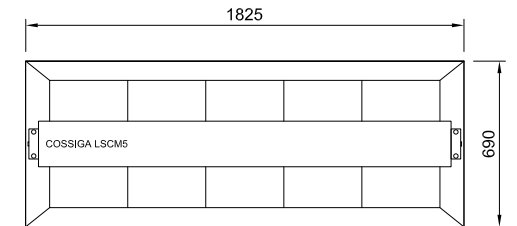
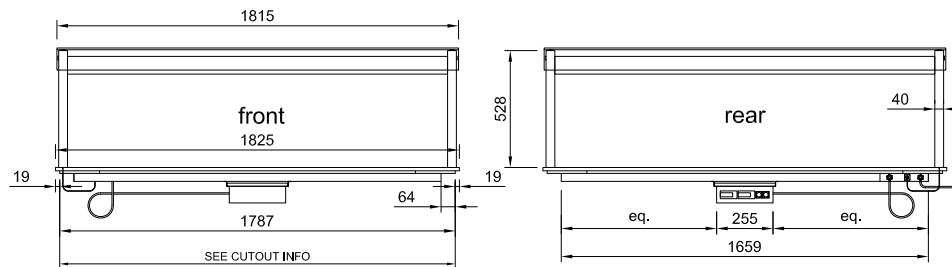
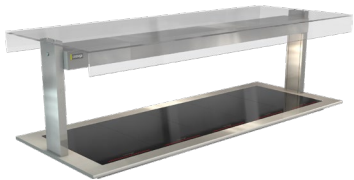
LSCM3-FT



LSCM4-FT



LSCM5-FT

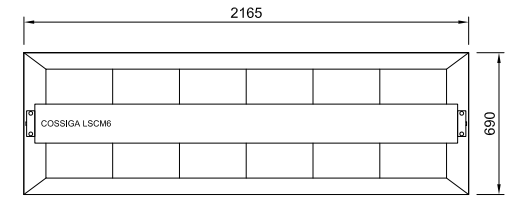
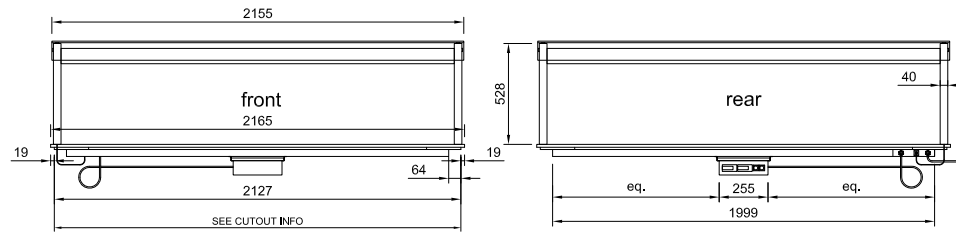
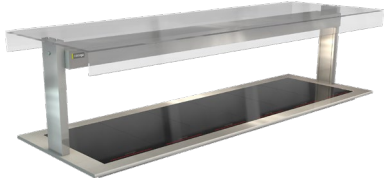


ASSEMBLY REQUIRED

LSCM-FT LINEAR SERIES - CERAMIC HEATED GLASS - Flat Top Sneeze Guard

COSSIGA

LSCM6-FT



ASSEMBLY REQUIRED

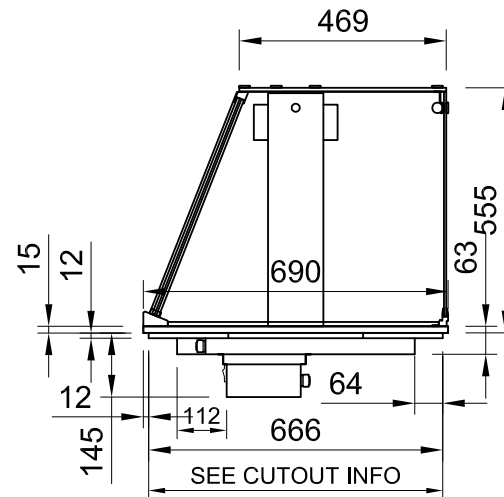
CABINET DIMENSIONS & SPECIFICATIONS

MODEL	CABINET			WEIGHT KG	BENCH TOP CUT OUT HOLE SIZE	TEMP RANGE DEG C	DISPLAY AREA M2	FREQUENCY	OPERATING CURRENT WITH LAMPS	POWER WITH LAMPS KW 230V	CONNECTION ELECTRICAL POWER CORD 3000MM NZ/AUS/UK	VOLTAGE	PACKED FOR SHIPPING			
	LENGTH [MM]	DEPTH [MM]	HEIGHT [MM]										LENGTH [MM]	DEPTH [MM]	HEIGHT [MM]	WEIGHT [KG]
LSCM3-FS	1145	690	555	139	1115x672	75 -95	0.51	50/60 HZ	11.7 AMP	2.691	15 AMP LEAD ONLY	220-240V	1250	770	410	139
LSCM4-FS	1485	690	555	166	1455x672	75 -95	0.68	50/60 HZ	15.7 AMP	3.611	20 AMP LEAD ONLY	220-240V	1590	770	410	166
LSCM5-FS	1825	690	555	199	1795x672	75 -95	0.86	50/60 HZ	19.6 AMP	4.508	20 AMP LEAD ONLY	220-240V	1930	770	410	199
LSCM6-FS	2165	690	555	230	2135x672	75 -95	1.04	50/60 HZ	23.5 AMP	5.405	30 AMP LEAD ONLY	220-240V	2270	770	410	230

PRODUCT FEATURES

- Ceramic Heated Glass
- Overhead Halogen Lamps
- Digital thermostatic controller
- Heat indicating LED lights

LSCM-FS LEFT SIDE ELEVATION



ELECTRICAL POWER

Electrical power cord 3000mm 1 phase connection required.
Unit must be hard wired on site to isolation switch.

ASSEMBLY REQUIRED

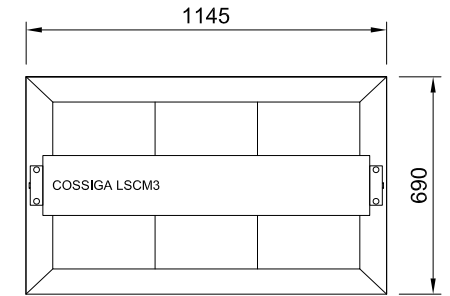
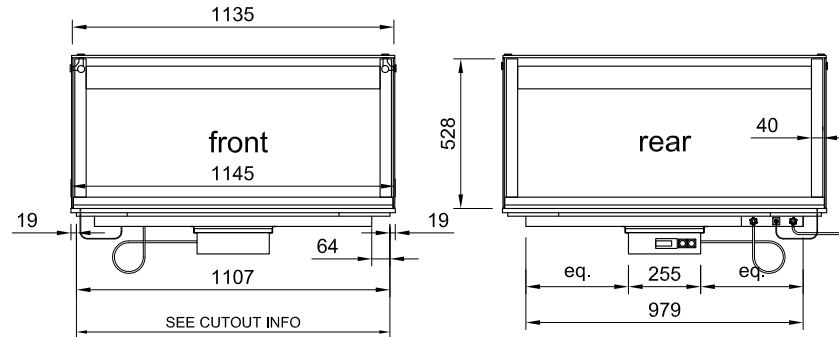
Prior to installation see, installation guidelines, ventilation requirements and drainage options documents

LSCM-FS

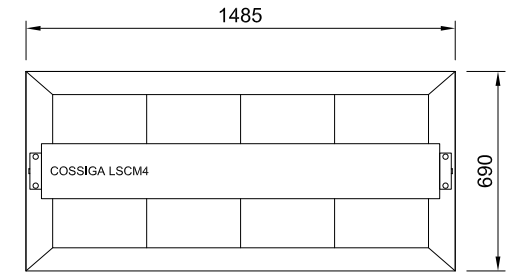
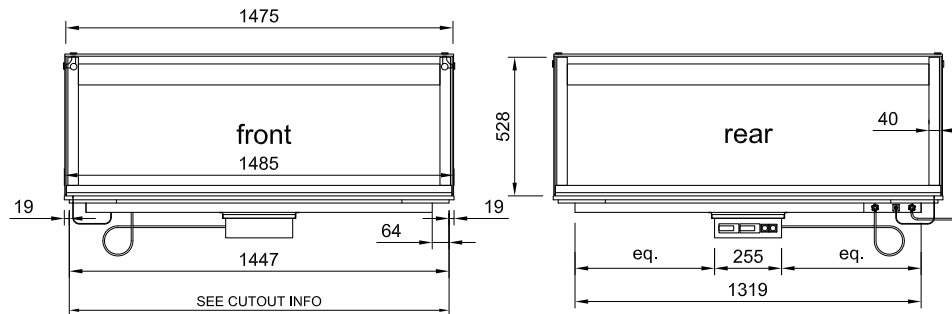
LINEAR SERIES - CERAMIC HEATED GLASS - Full Square Glass

COSSIGA

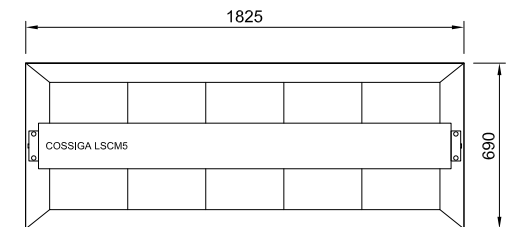
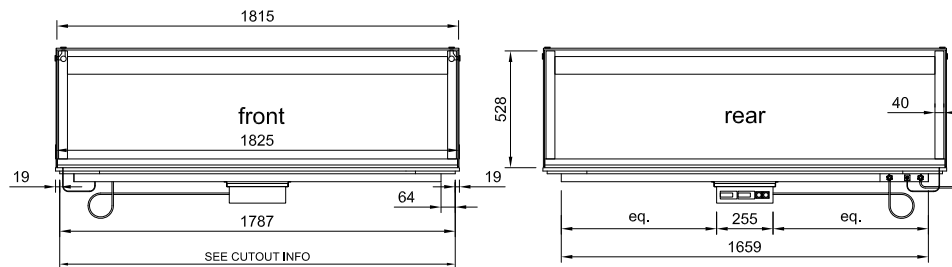
LSCM3-FS



LSCM4-FS



LSCM5-FS



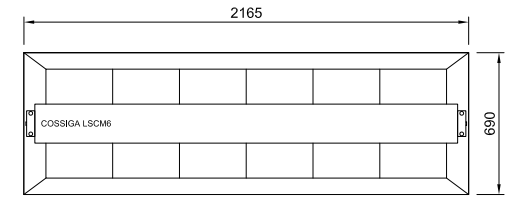
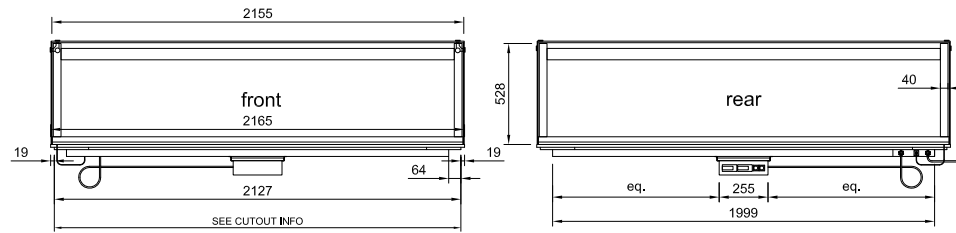
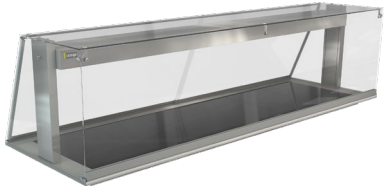
ASSEMBLY REQUIRED

LSCM-FS

LINEAR SERIES - CERAMIC HEATED GLASS - Full Square Glass

COSSIGA

LSCM6-FS



ASSEMBLY REQUIRED