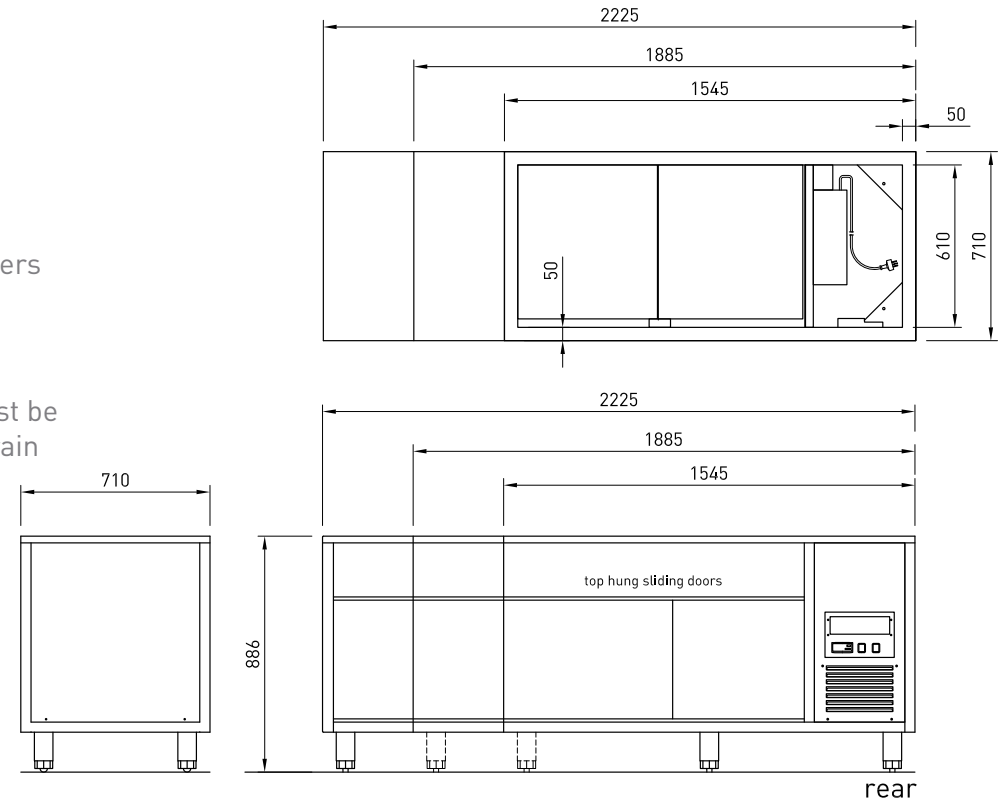




## HC LSHC4 LSHC5 LSHC6

- Stainless Steel 304 construction
- Fits LSBM & LSCM 4,5,6
- Sliding doors
- Separate hot cupboard controller
- Adjustable feet with recessed rollers for easy manoeuvrability
- Fan forced heat delivery

When Bain Marie unit fitted it must be plumbed for cold water fill and drain to waste



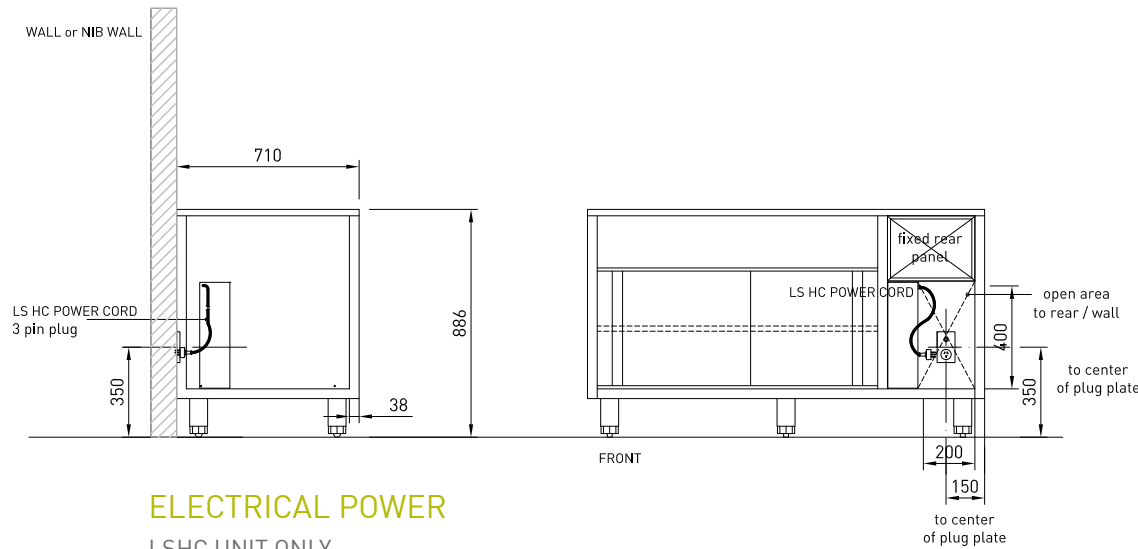
rear

## CABINET DIMENSIONS & SPECIFICATIONS

MODEL	CABINET				OPERATING TEMP DEG C	SHELF INTERNAL 1 X MID SHELF W X D	FITS UNITS 100MM UNITS	INTERNAL VOLUME M <sup>3</sup>	FREQUENCY	POWER		CONNECTION ELECTRICAL POWER CORD 2200MM		VOLTAGE	PACKED FOR SHIPPING			
	LENGTH [MM]	DEPTH [MM]	HEIGHT [MM]	WEIGHT [KG]						KW 230V	AMP	NZ/AUS 3 PIN 10 AMP	UK 13 AMP		LENGTH [MM]	DEPTH [MM]	HEIGHT [MM]	WEIGHT
LSCH4	1545	710	886	163	45-75	1080 X 630	LSBM4 LSCM4	0.32	50/60 HZ	1.06	4.6	3 PIN PLUG	3 PIN PLUG	220-240V	1695	820	1044	153
LSCH5	1885	710	886	184	45-75	1400 X 630	LSBM5 LSCM5	0.42	50/60 HZ	1.06	4.6	3 PIN PLUG	3 PIN PLUG	220-240V	2035	820	1044	174
LSCH6	2225	710	886	205	45-75	1750 X 630	LSBM6 LSCM6	0.52	50/60 HZ	1.06	4.6	3 PIN PLUG	3 PIN PLUG	220-240V	2375	820	1044	195

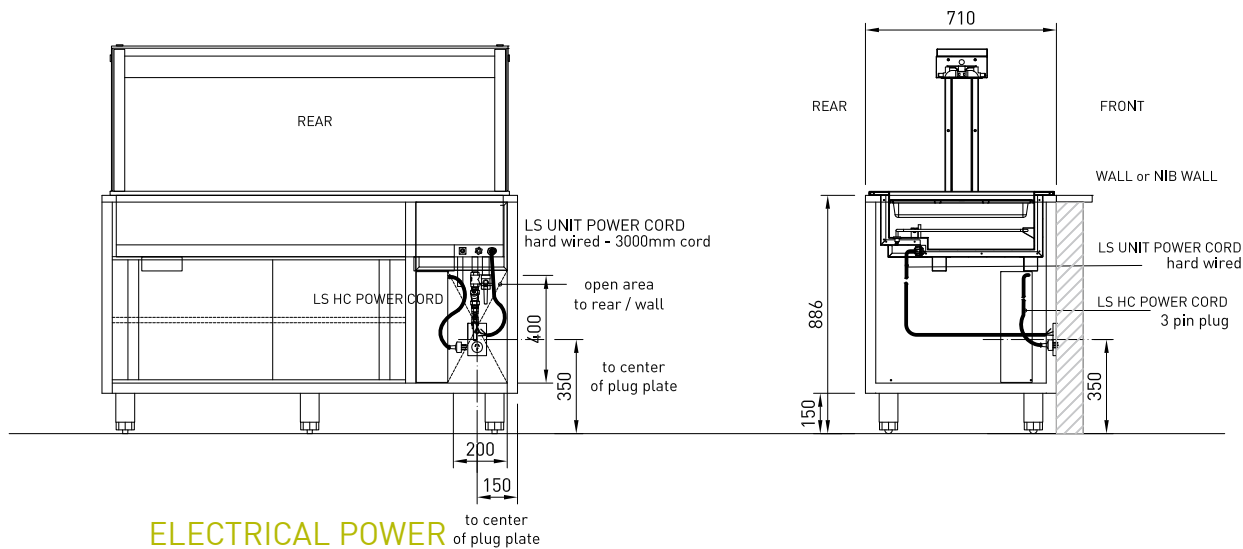
## ELECTRICAL POWER CONNECTION

- Electrical power connection to plug in wall.
- 3 pin 10amp plug required for LSHC unit
- LSBM LSCM Units hard wired  
Amps vary with units



## ELECTRICAL POWER

LSHC UNIT ONLY

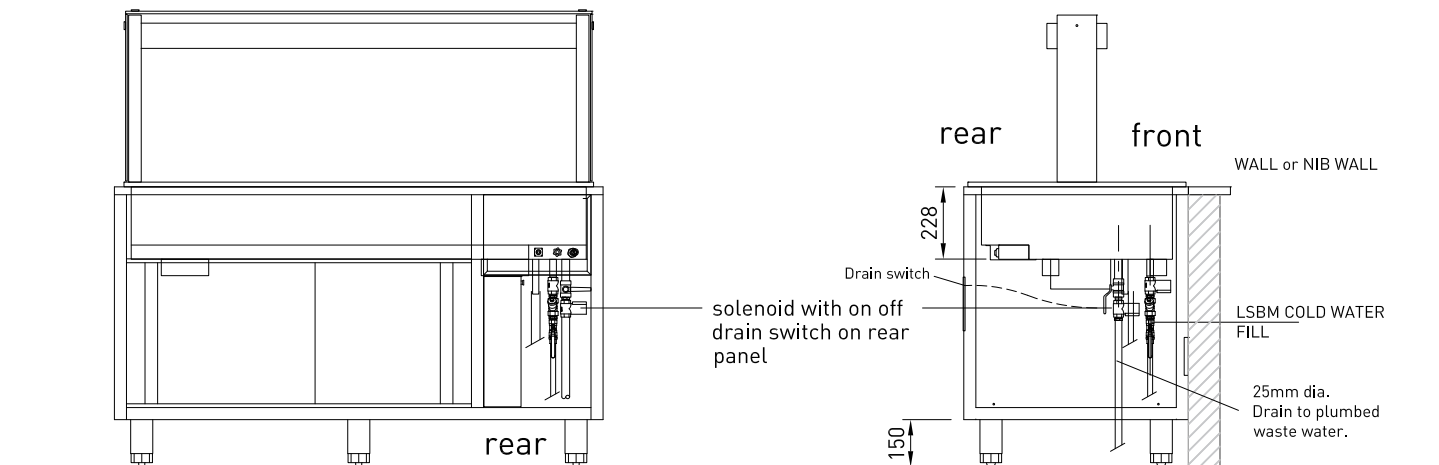
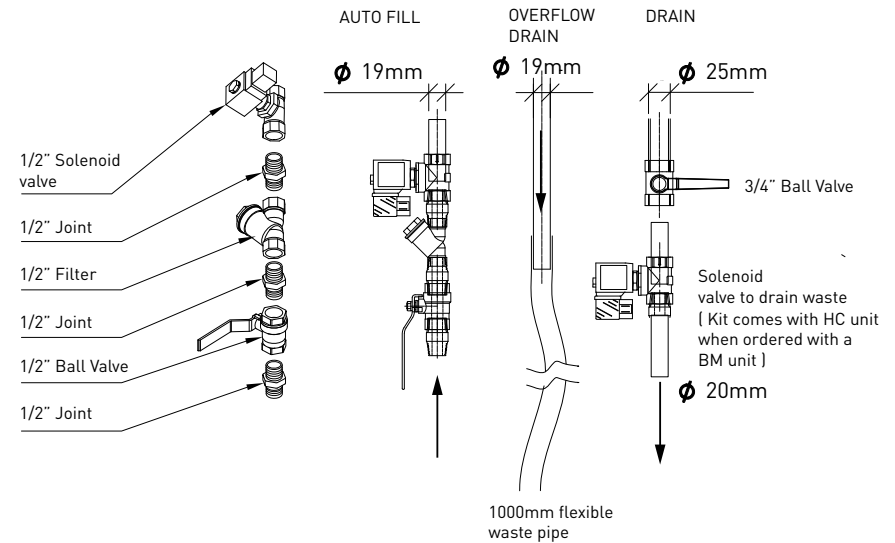


## ELECTRICAL POWER

LSHC WITH LSBM or LSCM UNIT

## WATER DRAINAGE with BAIN MARIE UNITS

- Screw on stop cock valve drain pipe with solenoid must drain to connected waste.
- Unit is drained with solenoid valve with switch on rear unit control panel.
- Overflow flexible waste pipe 19mm dia. 1000 mm length from spigot must be connected to waste.



## WATER CONNECTIONS

LSHC WITH LSBM UNIT

## ELECTRICAL POWER CONNECTION

- Drain solenoid wire to be connected to drain switch on rear panel.



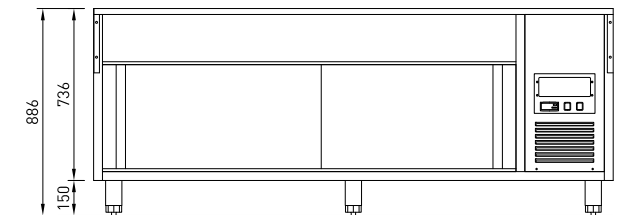
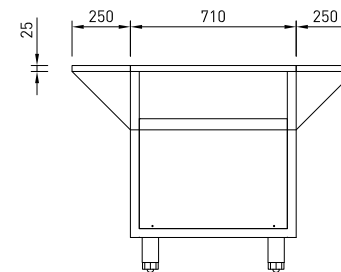
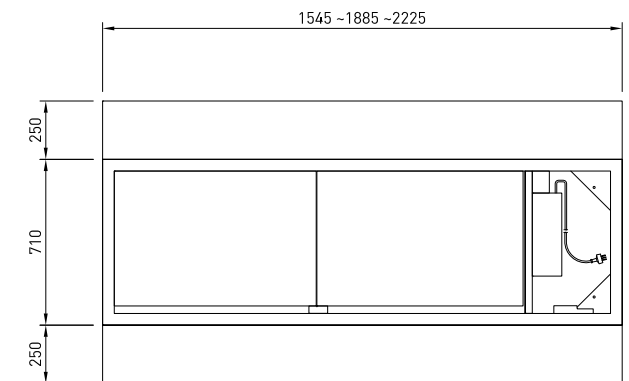
## LSHC TOP COVER

- Fitted on top of LSHC unit
- Stainless Steel top and frame with insulated panels  
Flush finish to top
- Sold separately
- Available for all LSHC units  
LSHC4  
LSHC5  
LSHC6



## LSHC SERVICE SHELF - OPTION

- Fitted to the side of the LSHC unit
  - One side or both sides
  - Stainless Steel
  - Keyhole clip on system
  - Sold separately
- Available for all LSHC units  
LSHC4  
LSHC5  
LSHC6



- Keyhole clip on system