

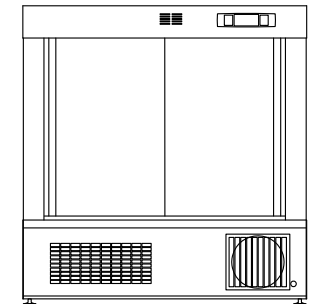
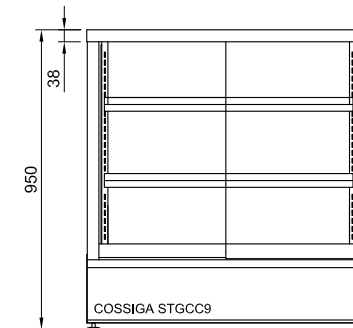
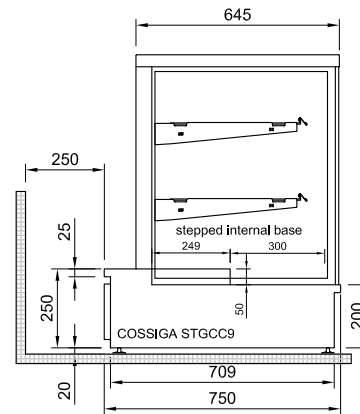
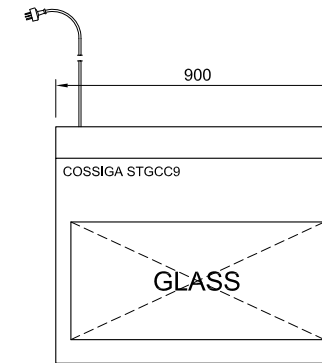
STGCC9



PRODUCT FEATURES

- Compact chilled
- Sliding rear and front doors
- Double glazed
- Deck forced refrigeration
- Two adjustable shelves - flat or angled
- Ticket strips on shelves and base
- Under shelf and canopy LED lights
- Condensing set built into base

Maximum shelf load weight 15kg spread evenly



rear view - rear venting

CABINET DIMENSIONS & SPECIFICATIONS

Prior to installation see, installation guidelines, ventilation requirements and drainage options documents

MODEL	CABINET			SHELVING WEIGHT KG	SHELVING 2 + BASE	OPERATING TEMP DEG C	SHELF W X D	BASE TRAY W X D	TOTAL FOOD 100MM UNITS	DISPLAY M ²	INTERNAL VOLUME M ³	FREQUENCY	REFRIGERANT	POWER		CONNECTION ELECTRICAL POWER CORD 2200MM		VOLTAGE	PACKED FOR SHIPPING			
	LENGTH [MM]	DEPTH [MM]	HEIGHT [MM]											KW 230V	AMP	NZ/AUS 10 AMP	UK 13 AMP		LENGTH [MM]	DEPTH [MM]	HEIGHT [MM]	WEIGHT
STGCC9	900	750	925	183	2 + BASE	3-5	790 X 430	840 x 513	136	0.96	0.45	50/60 HZ	R290	1.04	4.5	3 PIN PLUG	3 PIN PLUG	220-240V	1000	850	1090	189

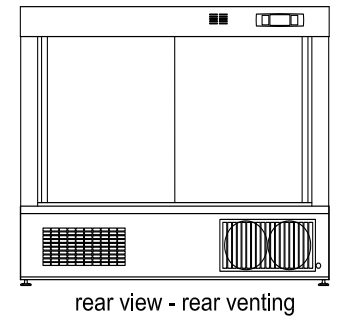
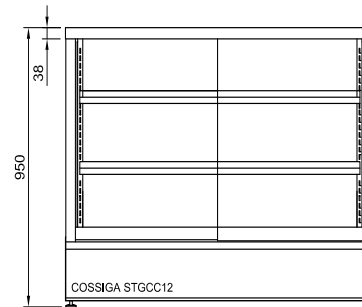
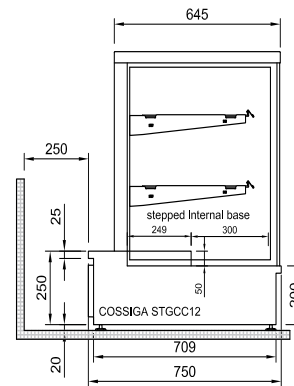
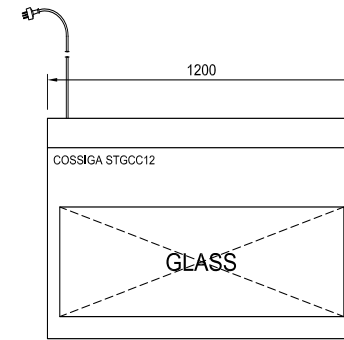
STGCC12



PRODUCT FEATURES

- Compact chilled
- Sliding rear and front doors
- Double glazed
- Deck forced refrigeration
- Two adjustable shelves - flat or angled
- Ticket strips on shelves and base
- Under shelf and canopy LED lights
- Condensing set built into base

Maximum shelf load weight 15kg spread evenly



CABINET DIMENSIONS & SPECIFICATIONS

Prior to installation see, installation guidelines, ventilation requirements and drainage options documents

MODEL	CABINET			SHELVING WEIGHT KG	SHELVING	OPERATING TEMP DEG C	SHELF W X D	BASE TRAY W X D	TOTAL FOOD 100MM UNITS	DISPLAY M ²	INTERNAL VOLUME M ³	FREQUENCY	REFRIGERANT	POWER		CONNECTION ELECTRICAL POWER CORD 2200MM		VOLTAGE	PACKED FOR SHIPPING			
	LENGTH [MM]	DEPTH [MM]	HEIGHT [MM]											KW 230V	AMP	NZ/AUS 10 AMP	UK 13 AMP		LENGTH [MM]	DEPTH [MM]	HEIGHT [MM]	WEIGHT
STGCC12	1200	750	925	220	2 + BASE	3-5	1090 X 430	1140 x 513	175	1.32	0.60	50/60 HZ	R290	1.08	4.7	3 PIN PLUG	3 PIN PLUG	220-240V	1300	850	1090	225