

STGAB6-SD

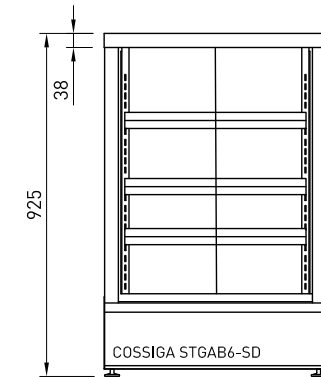
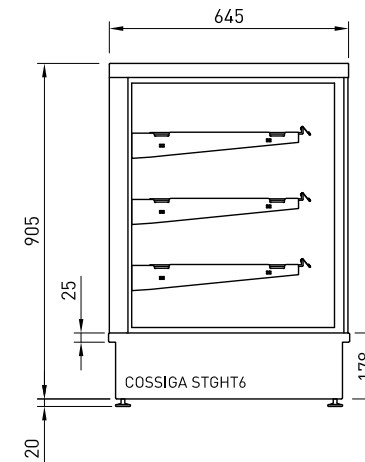
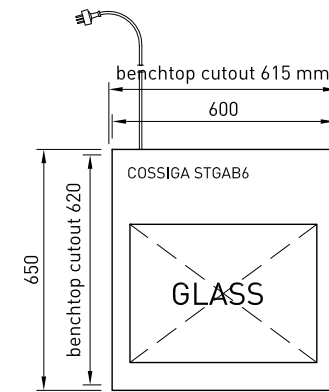


PRODUCT FEATURES

- Single glazed
- Ambient converted from heated
- Air removal fan installed in ceiling
- Hinged rear door
- Solid front or sliding front doors
- Three adjustable shelves - flat or angled
- Ticket strips on shelves and base
- Under shelf and canopy LED lights

Maximum shelf load weight 15kg spread evenly

STGAB6



CABINET DIMENSIONS & SPECIFICATIONS

Prior to installation see, installation guidelines, ventilation requirements and drainage options documents

MODEL	CABINET				CUT OUTS	SHELVING		BASE TRAY	TOTAL FOOD	DISPLAY M ²	INTERNAL VOLUME M ³	POWER		CONNECTION ELECTRICAL POWER CORD 2200MM		VOLTAGE	PACKED FOR SHIPPING			
	LENGTH [MM]	DEPTH [MM]	HEIGHT [MM]	WEIGHT [KG]		NO.	SIZE W X D					SIZE W X D	KWH	AMPS	NZ/AUS 3 PIN 10 AMP		UK 13 AMP	LENGTH [MM]	DEPTH [MM]	HEIGHT [MM]
STGAB6-SD STGAB6	600	650	925	77	615x620	3+BASE	490 x 440	540 x 415	55	0.22	0.31	0.11	0.5	3 PIN PLUG	3 PIN PLUG	220~240V	700	730	1100	80

STGAB9-SD

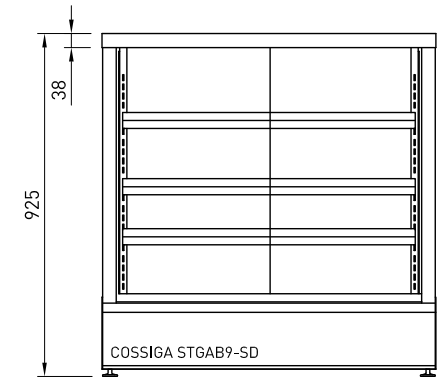
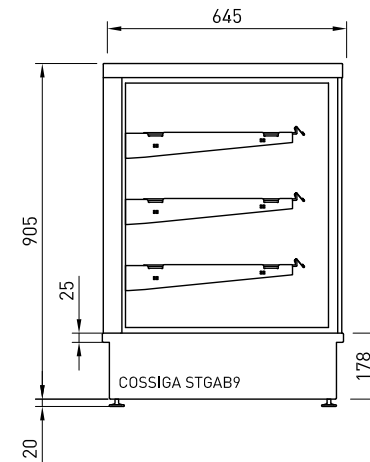
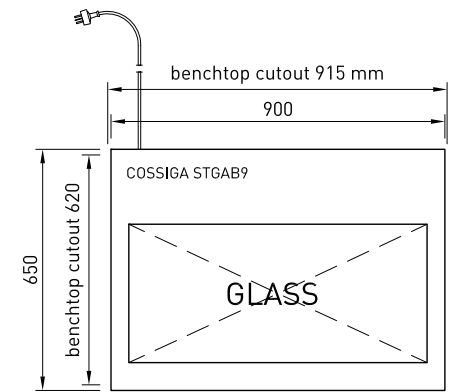


PRODUCT FEATURES

- Single glazed
- Ambient converted from heated
- Air removal fan installed in ceiling
- Sliding rear doors
- Solid front or sliding front doors
- Three adjustable shelves - flat or angled
- Ticket strips on shelves and base
- Under shelf and canopy LED lights

Maximum shelf load weight 15kg spread evenly

STGAB9



CABINET DIMENSIONS & SPECIFICATIONS

Prior to installation see, installation guidelines, ventilation requirements and drainage options documents

MODEL	CABINET				CUT OUTS	SHELVING		BASE TRAY	TOTAL FOOD	DISPLAY M ²	INTERNAL VOLUME M ³	POWER		CONNECTION ELECTRICAL POWER CORD 2200MM		VOLTAGE	PACKED FOR SHIPPING			
	LENGTH [MM]	DEPTH [MM]	HEIGHT [MM]	WEIGHT [KG]		NO.	SIZE W X D					SIZE W X D	KWH	AMPS	NZ/AUS 3 PIN 10 AMP		UK 13 AMP	LENGTH [MM]	DEPTH [MM]	HEIGHT [MM]
STGAB9-SD STGAB9	900	650	925	97	915x620	3+BASE	790 x 440	840 x 415	84	0.34	0.34	0.11	0.5	3 PIN PLUG	3 PIN PLUG	220~240V	1000	730	1100	100

STGAB12-SD

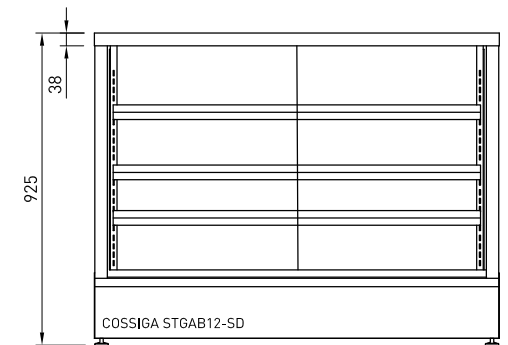
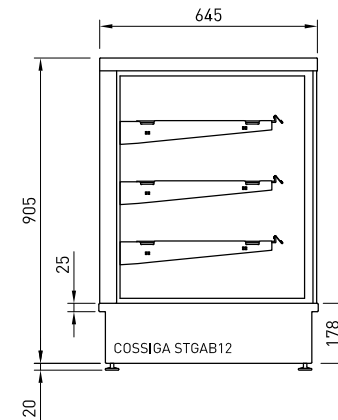
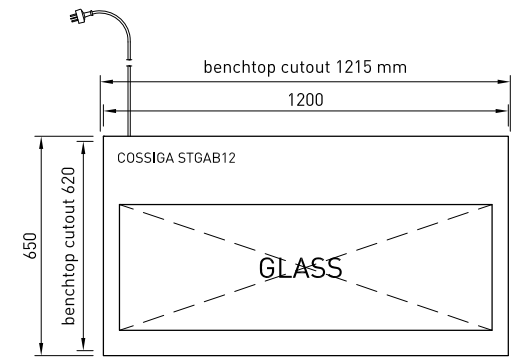


PRODUCT FEATURES

- Single glazed
- Ambient converted from heated
- Air removal fan installed in ceiling
- Sliding rear doors
- Solid front or sliding front doors
- Three adjustable shelves - flat or angled
- Ticket strips on shelves and base
- Under shelf and canopy LED lights

Maximum shelf load weight 15kg spread evenly

STGAB12



CABINET DIMENSIONS & SPECIFICATIONS

Prior to installation see, installation guidelines, ventilation requirements and drainage options documents

MODEL	CABINET				CUT OUTS	SHELVING		BASE TRAY	TOTAL FOOD	DISPLAY M ²	INTERNAL VOLUME M ³	POWER		CONNECTION ELECTRICAL POWER CORD 2200MM		VOLTAGE	PACKED FOR SHIPPING			
	LENGTH [MM]	DEPTH [MM]	HEIGHT [MM]	WEIGHT [KG]		NO.	SIZE W X D					SIZE W X D	KWH	AMPS	NZ/AUS 3 PIN 10 AMP		UK 13 AMP	LENGTH [MM]	DEPTH [MM]	HEIGHT [MM]
STGAB12-SD STGAB12	1200	650	925	110	1215x620	3+BASE	1090 x 440	1140x 415	121	0.46	0.46	0.11	0.5	3 PIN PLUG	3 PIN PLUG	220~240V	1300	730	1100	120