



### PRODUCT FEATURES

- Heated double glazed glass top and sides and solid front
- Hinged rear door
- Deck forced refrigeration
- Two adjustable shelves
- Ticket strips on shelves and deck
- Under shelf and canopy LED lights
- Integral condenser
- Self evaporating

### CABINET DIMENSIONS & SPECIFICATIONS

Refrigerated 4<sup>0</sup> factory set point

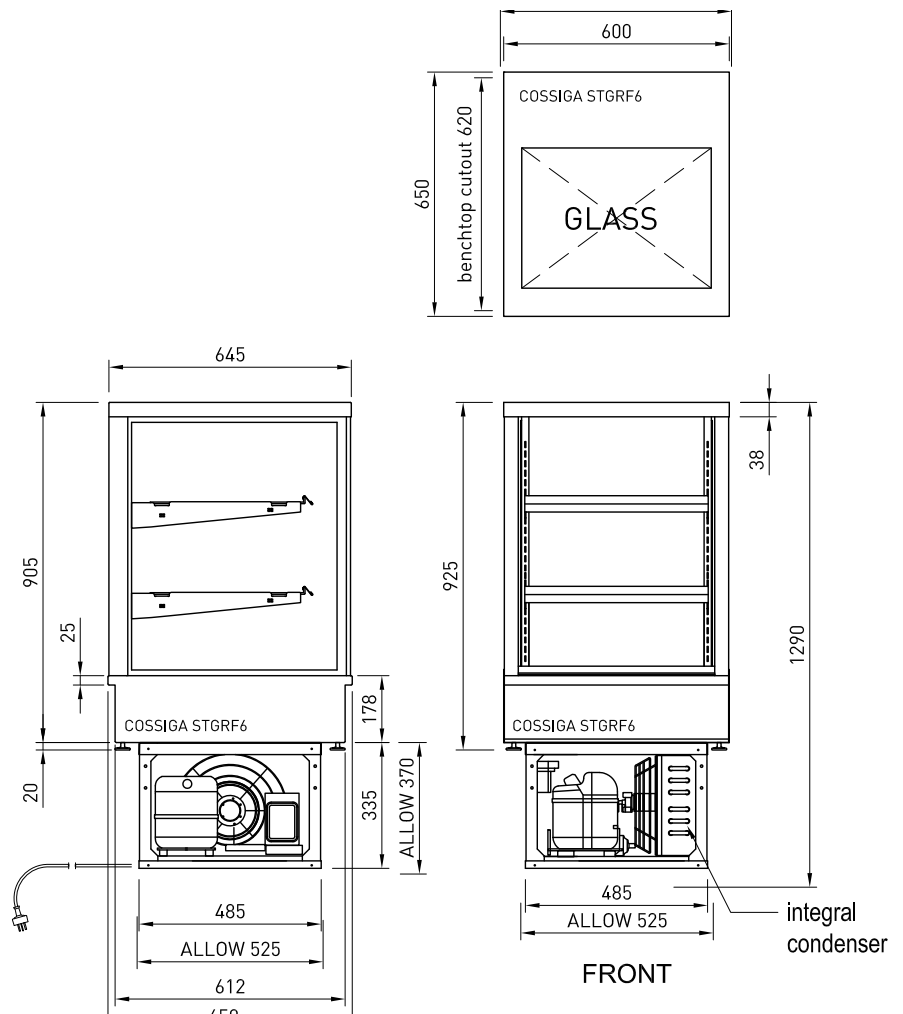
Model	Cabinet			Shelving no.	Display m2	Total food units	Refrigerant	Operating Current	Connection	Voltage
	Length mm	Depth mm	Height mm							
STGRF6	600	650	925	2 + base	0.61	55	134a	4.7 Amp	10amp 3 pin plug	50/60 Hertz

\* prior to installation see, installation guidelines, ventilation requirements and drainage options documents

#### ELECTRICAL POWER

Electrical power cord 2200mm  
3 pin 10 amp 1 phase socket required.  
Maximum ambient operating temperature climate class N max 32°C

Maximum shelf load weight 15kg  
spread evenly





### PRODUCT FEATURES

- Heated double glazed glass top and sides and solid front
- Sliding rear doors
- Deck forced refrigeration
- Two adjustable shelves
- Ticket strips on shelves and deck
- Under shelf and canopy LED lights
- Integral condenser
- Self evaporating

### CABINET DIMENSIONS & SPECIFICATIONS

Refrigerated 4<sup>0</sup> factory set point

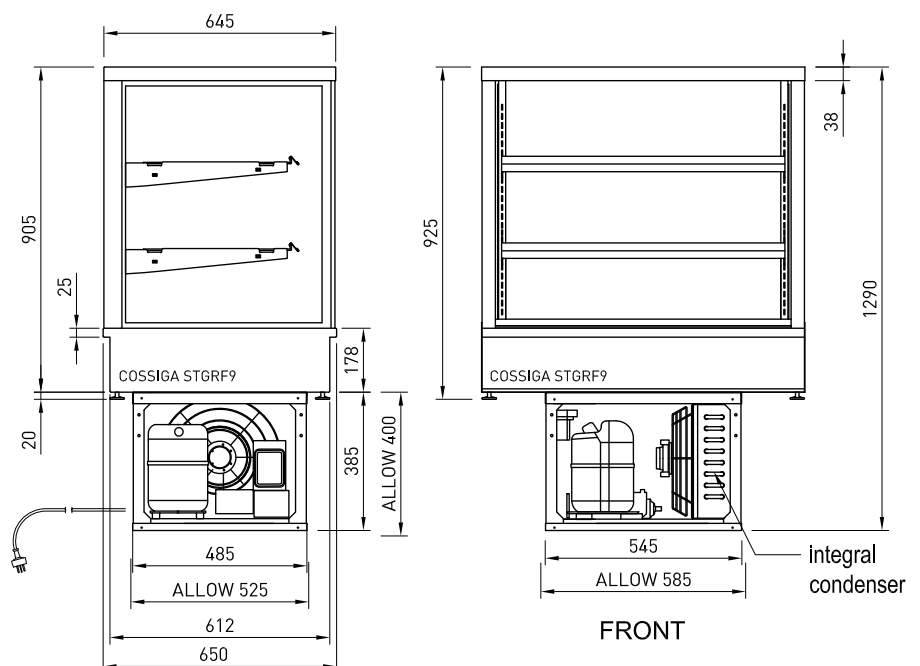
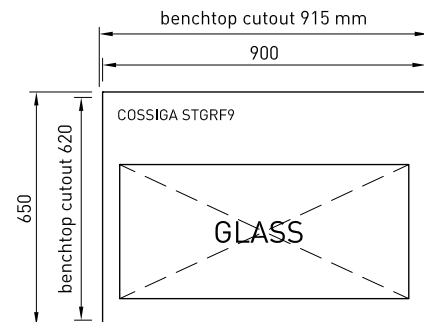
Model	Cabinet			Shelving no.	Display m2	Total food units	Refrigerant	Operating Current	Connection	Voltage
	Length mm	Depth mm	Height mm							
STGRF9	900	650	925	2 + base	0.96	100 x 100 mm 84	134a	5.0 Amp	10amp 3 pin plug	50/60 Hertz 240V

\* prior to installation see, installation guidelines, ventilation requirements and drainage options documents

### ELECTRICAL POWER

Electrical power cord 2200mm  
3 pin 10 amp 1 phase socket required.  
Maximum ambient operating temperature climate class N max 32°C

Maximum shelf load weight 15kg  
spread evenly





### PRODUCT FEATURES

- Heated double glazed glass top and sides and solid front
- Sliding rear doors
- Deck forced refrigeration
- Two adjustable shelves
- Ticket strips on shelves and deck
- Under shelf and canopy LED lights
- Integral condenser
- Self evaporating

### CABINET DIMENSIONS & SPECIFICATIONS

Refrigerated 4<sup>0</sup> factory set point

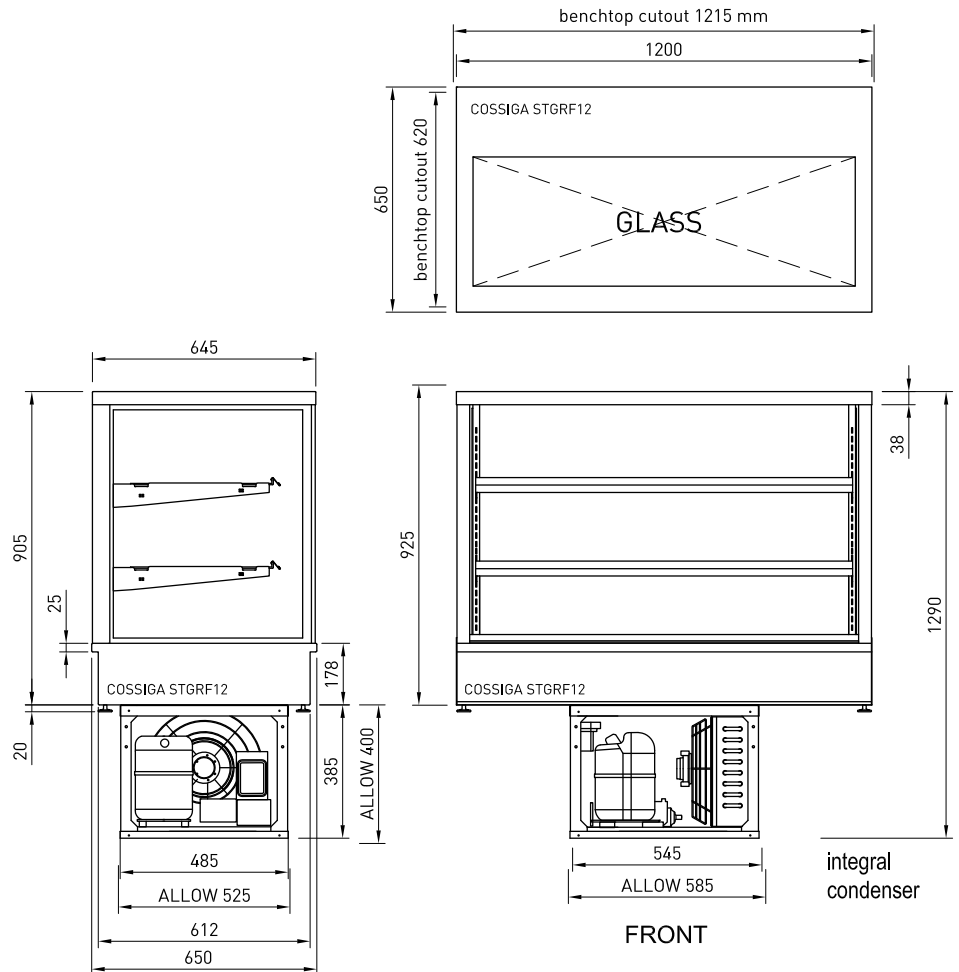
Model	Cabinet			Shelving no.	Display m2	Total food units	Refrigerant	Operating Current	Connection	Voltage
	Length mm	Depth mm	Height mm							
STGRF12	1200	650	925	2 + base	1.32	121	134a	6.8 Amp	10amp 3 pin plug	50/60 Hertz

\* prior to installation see, installation guidelines, ventilation requirements and drainage options documents

### ELECTRICAL POWER

Electrical power cord 2200mm  
3 pin 10 amp 1 phase socket required.  
Maximum ambient operating temperature climate class N max 32°C

Maximum shelf load weight 15kg  
spread evenly





### PRODUCT FEATURES

- Heated double glazed glass top and sides and solid front
- Sliding rear doors
- Deck forced refrigeration
- Two adjustable shelves
- Ticket strips on shelves and deck
- Under shelf and canopy LED lights
- Integral condenser
- Self evaporating

### CABINET DIMENSIONS & SPECIFICATIONS

Refrigerated 4<sup>0</sup> factory set point

Model	Cabinet			Shelving no.	Display m2	Total food units	Refrigerant	Operating Current	Connection	Voltage
	Length mm	Depth mm	Height mm							
STGRF15	1500	650	925	2 + base	1.67	154	134a	7.0 Amp	10amp 3 pin plug	240V

\* prior to installation see, installation guidelines, ventilation requirements and drainage options documents

### ELECTRICAL POWER

Electrical power cord 2200mm  
3 pin 10 amp 1 phase socket required.  
Maximum ambient operating temperature climate class N max 32°C

Maximum shelf load weight 15kg  
spread evenly

