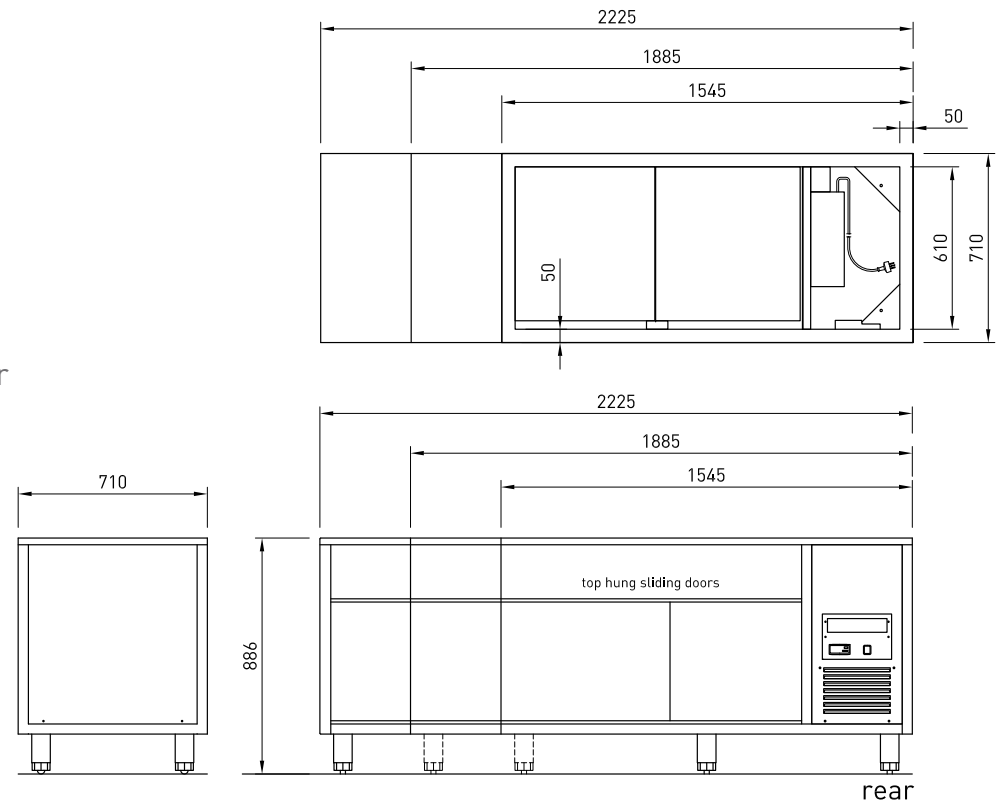




## HC

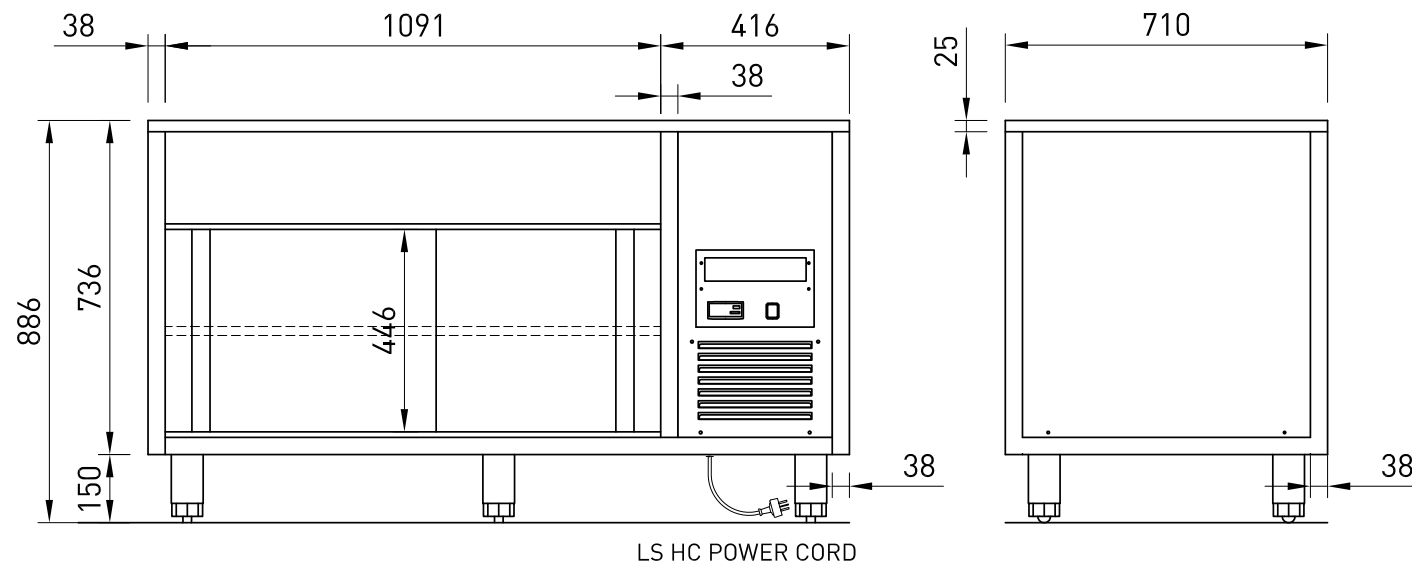
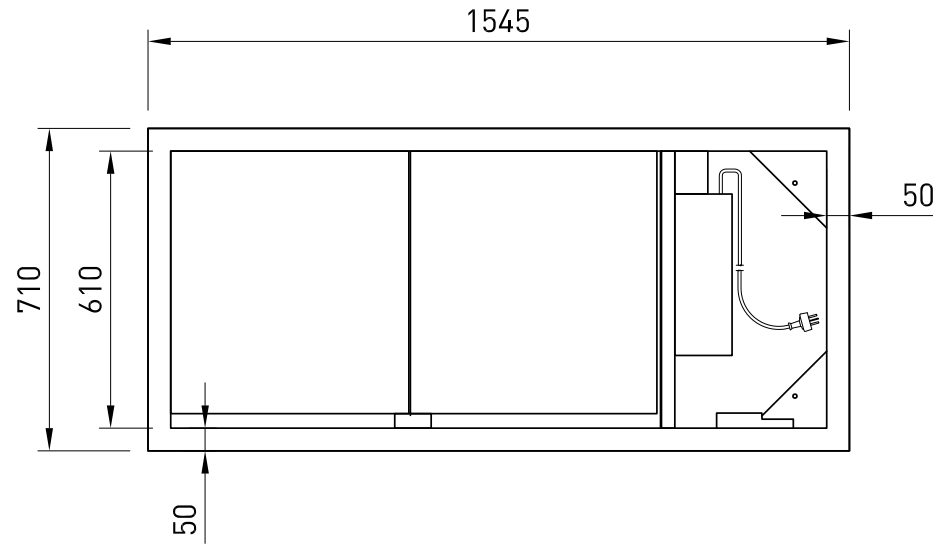
LSHC4  
LSHC5  
LSHC6

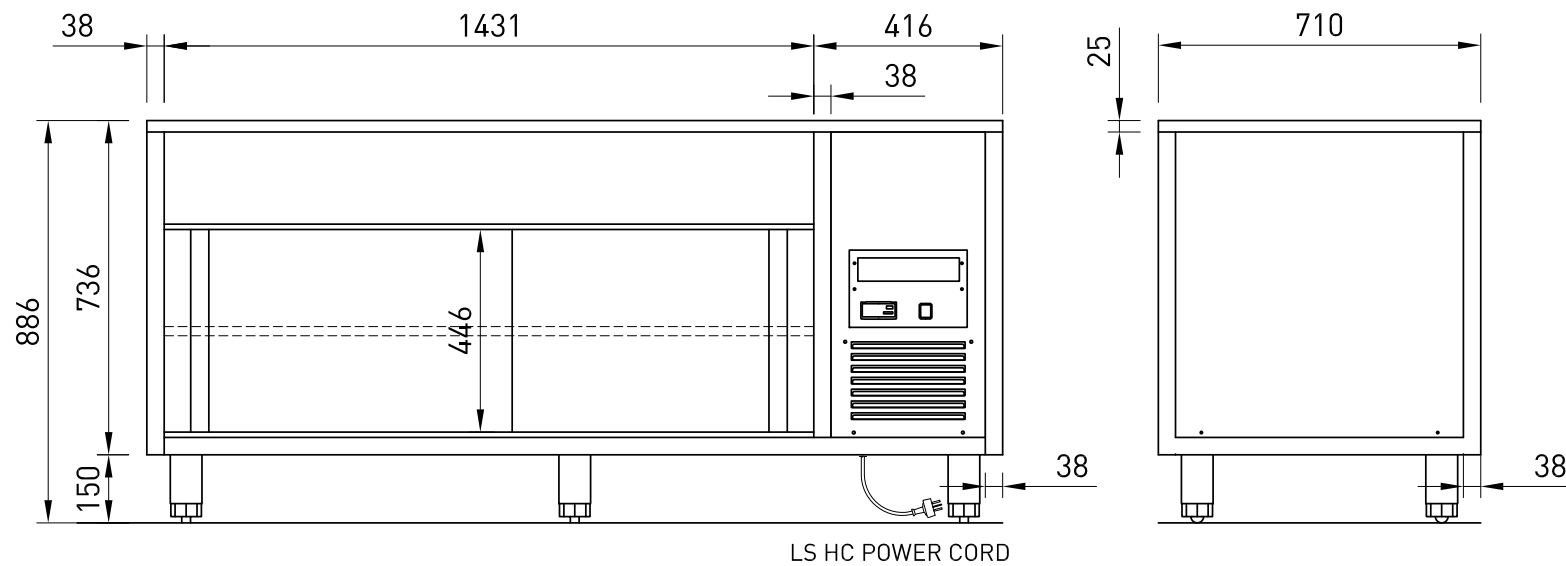
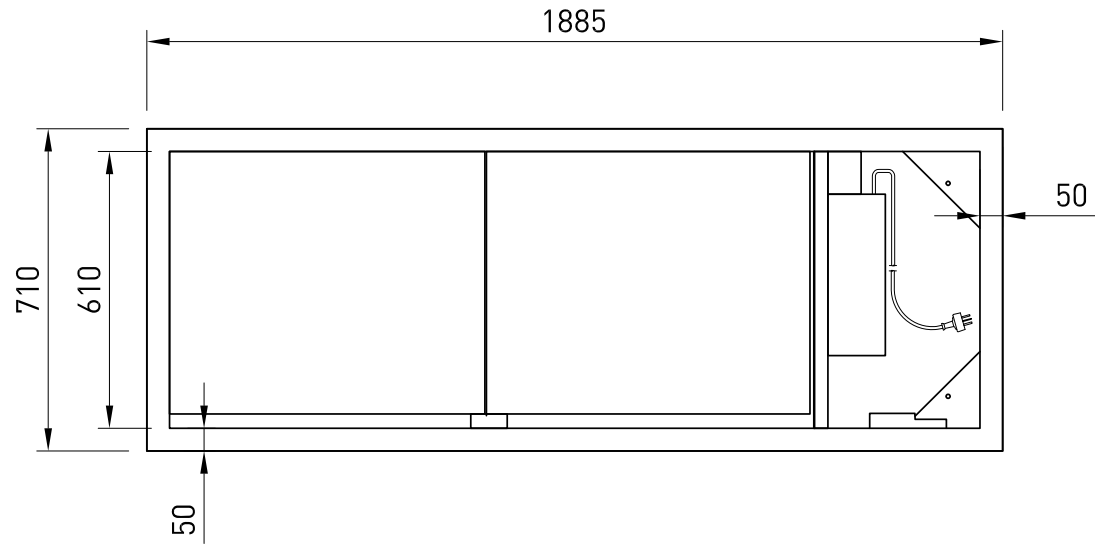
- Stainless Steel construction
- Fits LSBM & LSCM 4,5,6
- Sliding doors
- Separate hot cupboard controller
- Adjustable feet with recessed rollers for easy manoeuvrability
- Fan forced heat delivery

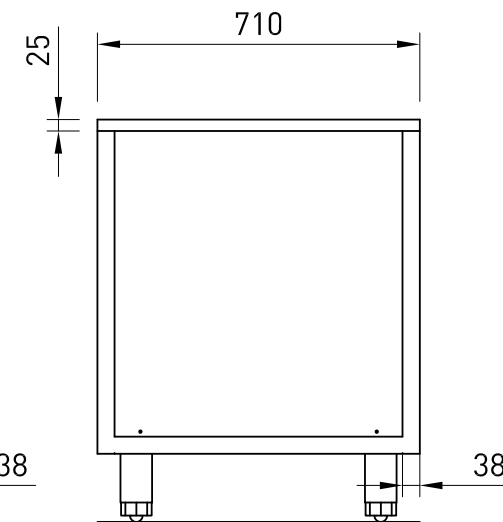
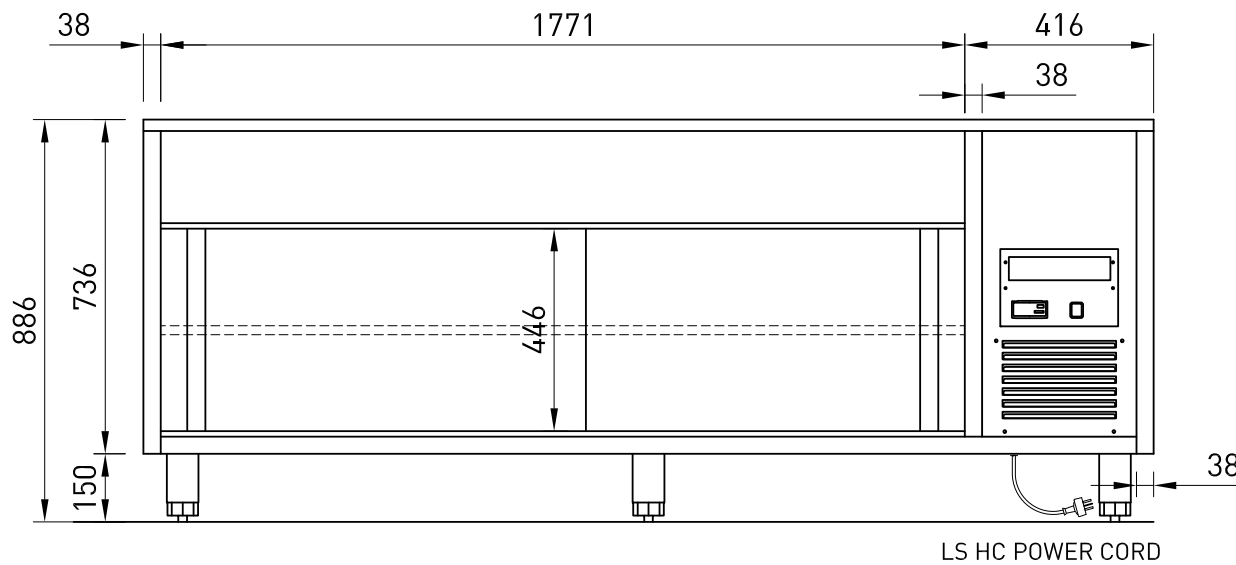
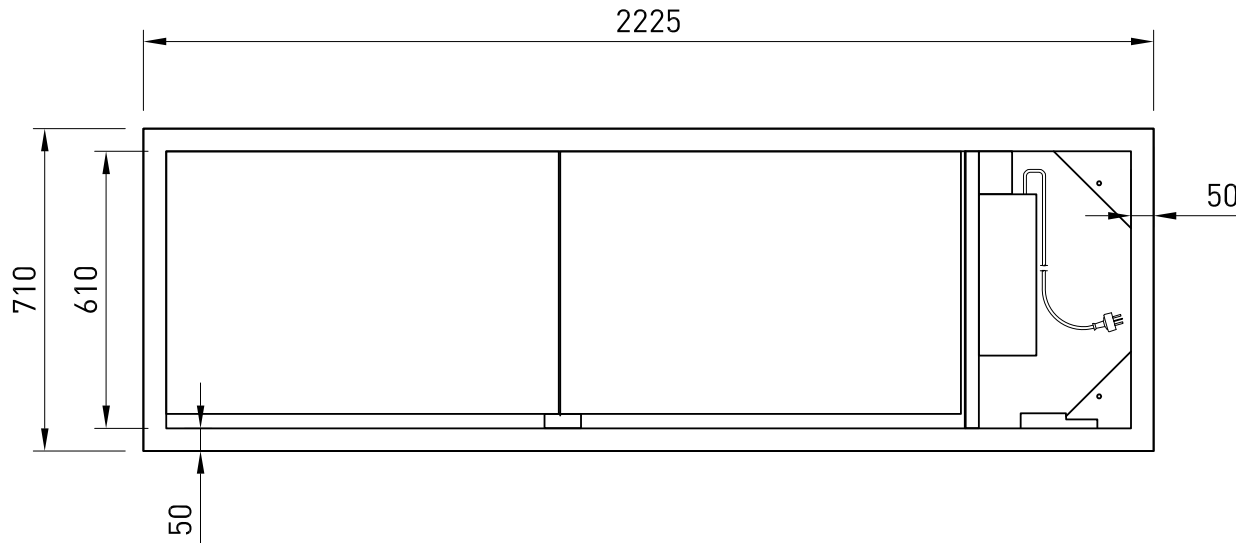


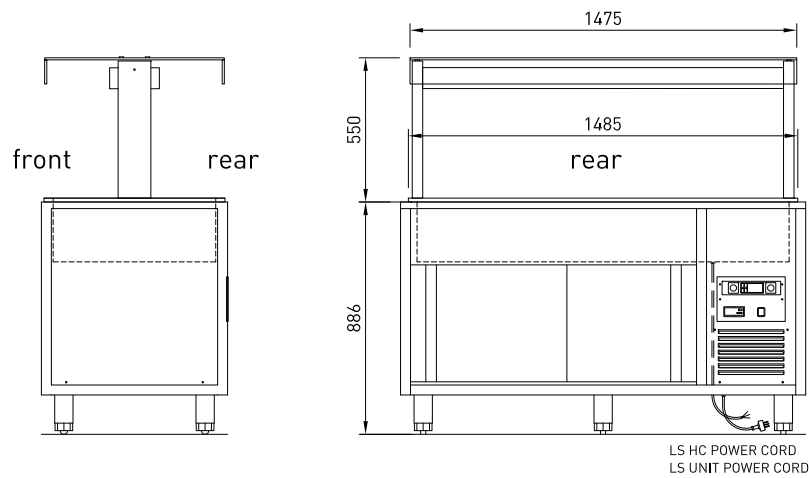
### CABINET DIMENSIONS & SPECIFICATIONS

MODEL	CABINET			FITS UNTS	TEMP RANGE	POWER CORD LENGTH	FREQUENCY	OPERATING CURRENT	CONNECTION	VOLTAGE	PACKED FOR SHIPPING				
	LENGTH [MM]	DEPTH [MM]	HEIGHT [MM]								LENGTH [MM]	DEPTH [MM]	HEIGHT [MM]	WEIGHT [KG]	CUBE M
LSHC4	1545	710	886	LSBM4 LSCM4	45-75	3000MM	50HZ	5.4 AMP	10amp 3 pin plug	220-240V	1690	820	1050	163	1.45
LSHC5	1885	710	886	LSBM5 LSCM5	45-75	3000MM	50 HZ	5.4 AMP	10amp 3 pin plug	220-240V	2030	820	1050	184	1.74
LSHC6	2255	710	886	LSBM6 LSCM6	45-75	3000MM	50HZ	5.4 AMP	10amp 3 pin plug	220-240V	2370	820	1050	205	2.04



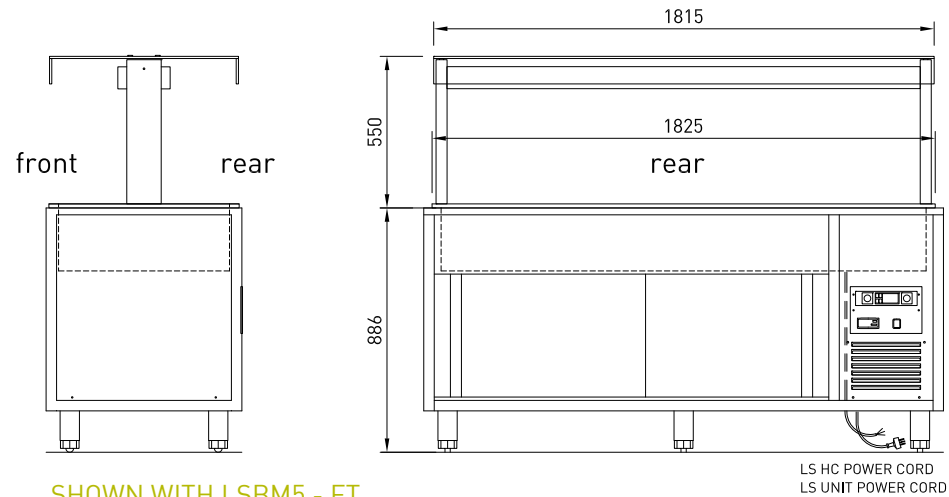






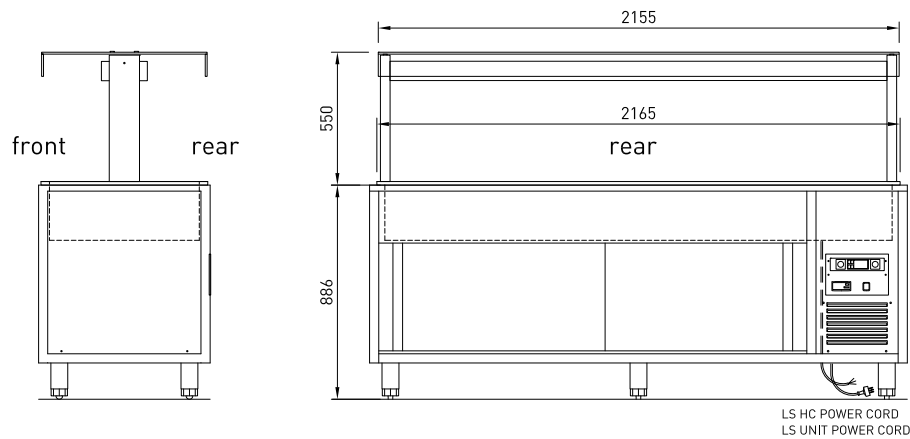
SHOWN WITH LSBM4 - FT

LSBM and LSCM units sold separately



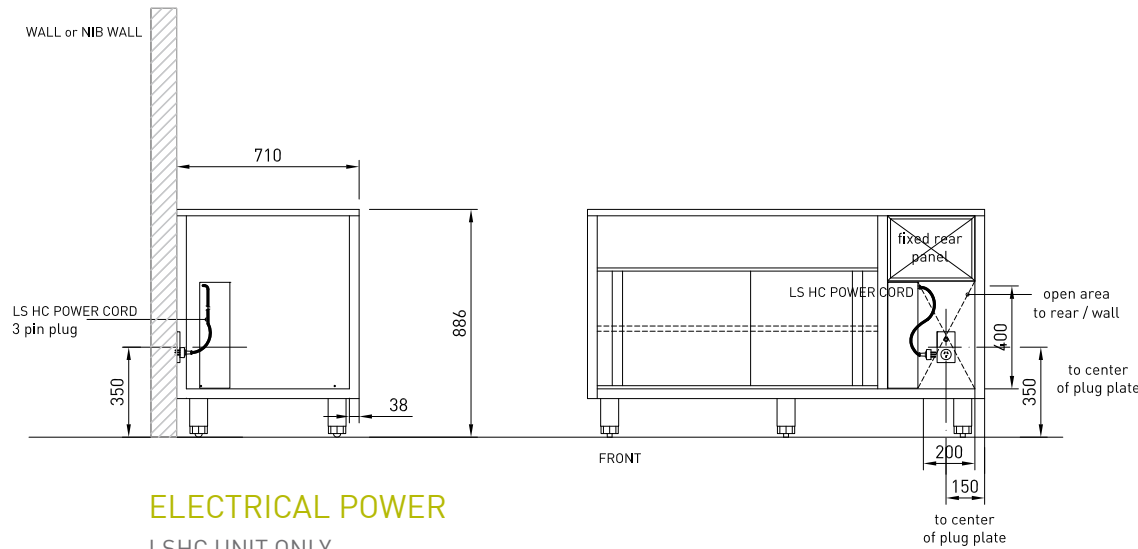
SHOWN WITH LSBM5 - FT

LSBM and LSCM units sold separately



SHOWN WITH LSBM6 - FT

LSBM and LSCM units sold separately



## ELECTRICAL POWER CONNECTION

- Electrical power connection to plug in wall.
- 3 pin 10amp plug required for LSHC unit
- LSBM LSCM Units hard wired  
Amps vary with units

