



PRODUCT FEATURES

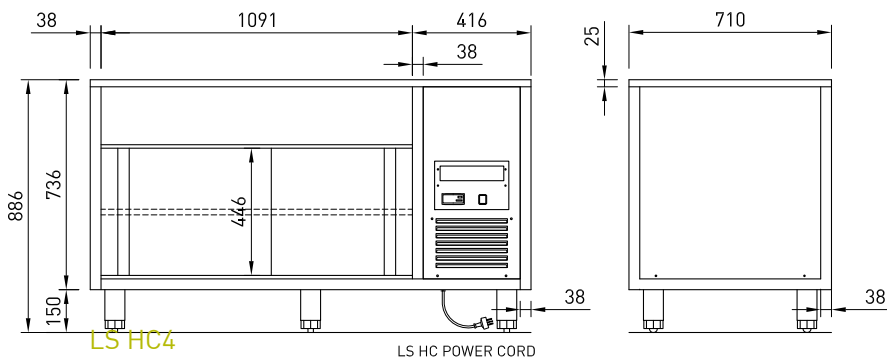
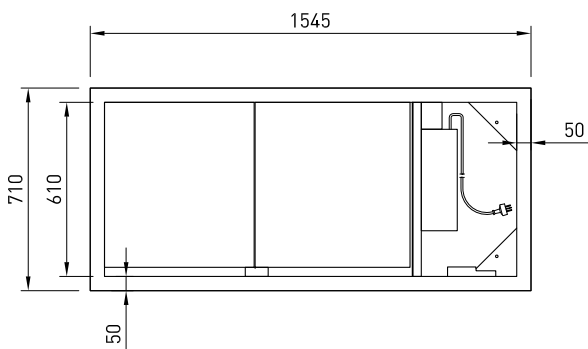
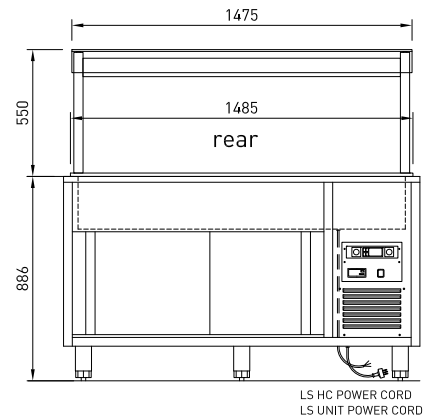
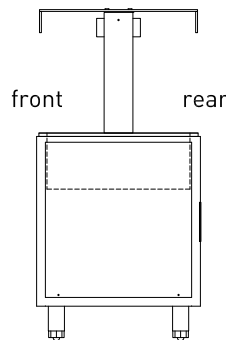
- Stainless Steel construction
- Fits LSBM & LSCM 4,5,6
- Sliding doors
- Separate hot cupboard controller
- Adjustable feet with recessed rollers for easy manoeuvrability
- Fan forced heat delivery

CABINET DIMENSIONS & SPECIFICATIONS

Heat Range 45°C - 75°C

Model	Cabinet			Fits units	Operating Current	HC Connection	Voltage
	Length mm	Depth mm	Height mm			See unit specs for BM/CM	50 Hertz
LSHC4	1545	710	886	LSBM4 LSCM4	5.4 Amp	10amp 3 pin plug	240V

Packet For Shipping			
Length mm	Depth mm	Height mm	Weight (KG)
1690	820	1050	163



SHOWN WITH LSBM4
LSBM and LSCM units sold separately





PRODUCT FEATURES

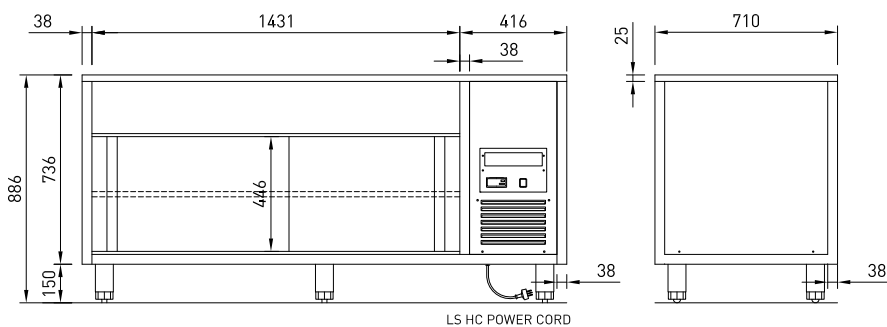
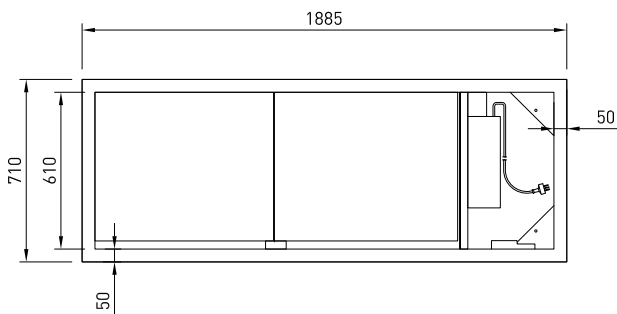
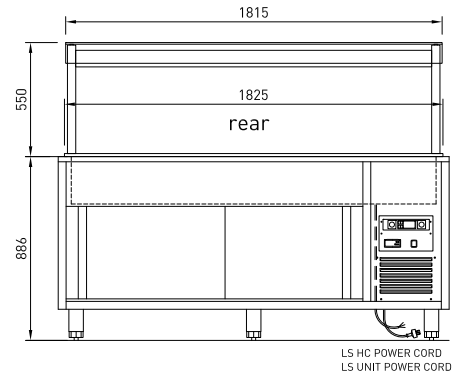
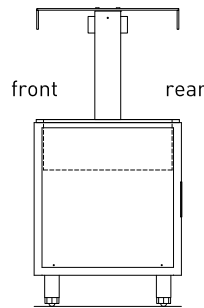
- Stainless Steel construction
- Fits LSBM & LSCM 4,5,6
- Sliding doors
- Separate hot cupboard controller
- Adjustable feet with recessed rollers for easy manoeuvrability
- Fan forced heat delivery

CABINET DIMENSIONS & SPECIFICATIONS

Heat Range 45°C - 75°C

Model	Cabinet			Fits units	Operating Current	HC Connection	Voltage
	Length mm	Depth mm	Height mm			See unit specs for BM/CM	50 Hertz
LSHC5	1885	710	886	LSBM5 LSCM5	5.4 Amp	10amp 3 pin plug	240V

Packet For Shipping			
Length mm	Depth mm	Height mm	Weight (KG)
2030	820	1050	184



LS HC5

SHOWN WITH LSBM5
LSBM and LSCM units sold separately





PRODUCT FEATURES

- Stainless Steel construction
- Fits LSBM & LSCM 4,5,6
- Sliding doors
- Separate hot cupboard controller
- Adjustable feet with recessed rollers for easy manoeuvrability
- Fan forced heat delivery

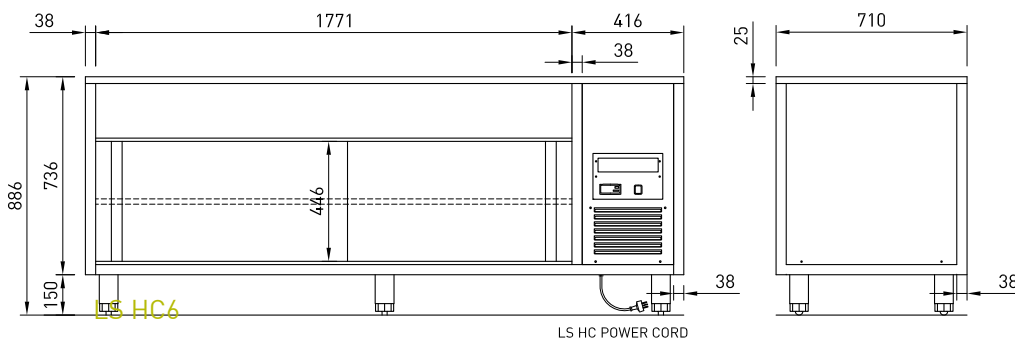
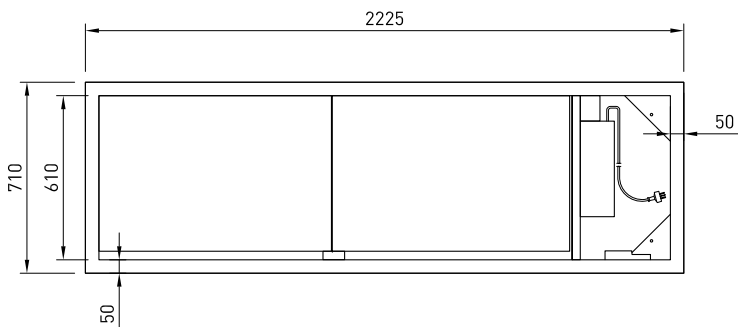
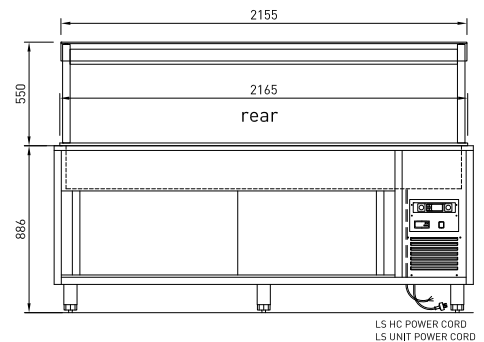
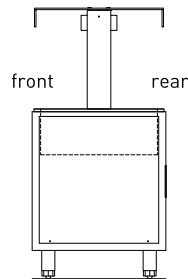
CABINET DIMENSIONS & SPECIFICATIONS

Heat Range 45°C - 75°C

Model	Cabinet			Fits units	Operating Current	HC Connection	Voltage
	Length mm	Depth mm	Height mm				
LSHC6	2225	710	886	LSBM6 LSCM6	5.4 Amp	10amp 3 pin plug	240V

Packet For Shipping

Length mm	Depth mm	Height mm	Weight (KG)
2370	820	1050	205



SHOWN WITH LSBM6

LSBM and LSCM units sold separately

