



PRODUCT FEATURES

- Low Velocity air over refrigeration
- Dual canopy LED lights
- Adjustable deck height
- Integral condenser - Self evaporating
- Polished glass front and sides
- Slide under and over perspex rear covers
- Ambient storage cabinet underneath
- Lockable castors
- Side and front panels available as an optional extra

UNIT DIMENSIONS & SPECIFICATIONS

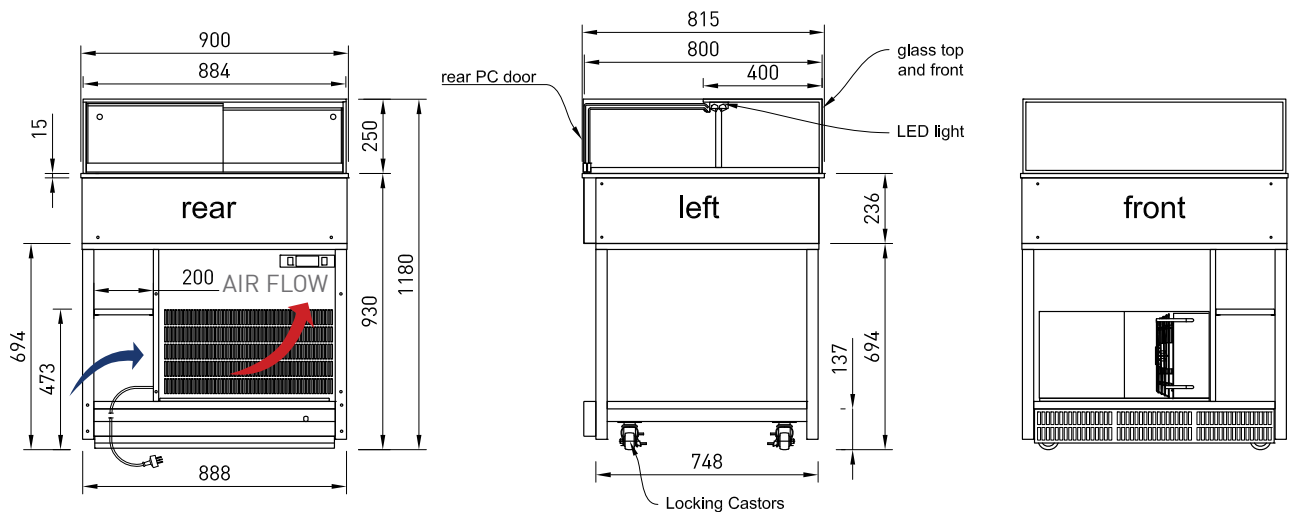
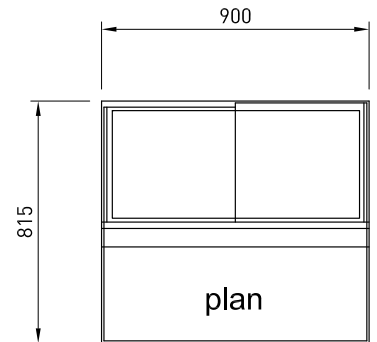
Refrigerated 4⁰ factory set point

Model	Cabinet			Display plates	Display Area	Refrigerant	Operating Current	Connection	Voltage
	Length mm	Depth mm	Height mm						
LPRF9	900	815	1180	2	0.48	134a	3.82 Amp	10amp 3 pin plug	50/60 Hertz

* prior to installation see, installation guidelines, ventilation requirements and drainage options documents

ELECTRICAL POWER

Electrical power cord 2200mm
 3 pin 10 amp 1 phase socket required.
 Maximum ambient operating temperature climate class N max 32°C





PRODUCT FEATURES

- Low Velocity air over refrigeration
- Dual canopy LED lights
- Adjustable deck height
- Integral condenser - Self evaporating
- Polished glass front and sides
- Slide under and over perspex rear covers
- Ambient storage cabinet underneath
- Lockable castors
- Side and front panels available as an optional extra

UNIT DIMENSIONS & SPECIFICATIONS

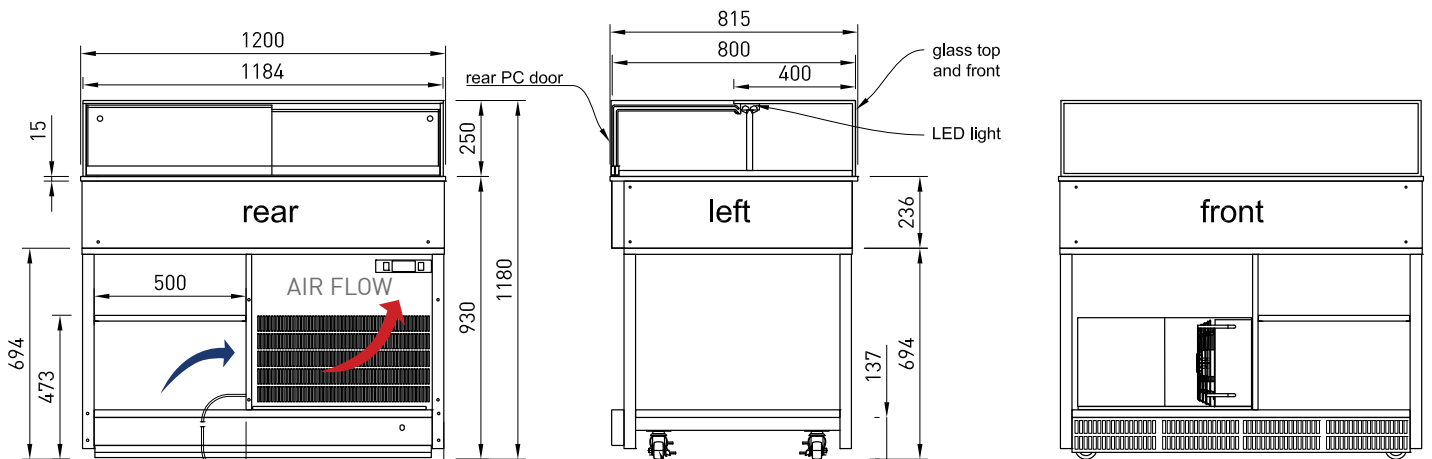
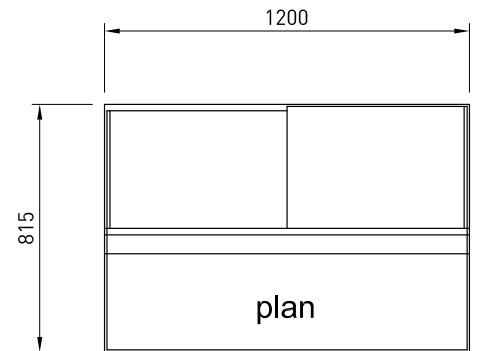
Refrigerated 4⁰ factory set point

Model	Cabinet			Display plates	Display Area	Refrigerant	Operating Current	Connection	Voltage
	Length mm	Depth mm	Height mm						
LPRF12	1200	815	1180	365w x 613d	Sq.M	134a	4.3 Amp	10amp 3 pin plug	50/60 Hertz
				3	0.67				240V

* prior to installation see, installation guidelines, ventilation requirements and drainage options documents

ELECTRICAL POWER

Electrical power cord 2200mm
 3 pin 10 amp 1 phase socket required.
 Maximum ambient operating temperature climate class N max 32°C





PRODUCT FEATURES

- Low Velocity air over refrigeration
- Dual canopy LED lights
- Adjustable deck height
- Integral condenser - Self evaporating
- Polished glass front and sides
- Slide under and over perspex rear covers
- Ambient storage cabinet underneath
- Lockable castors
- Side and front panels available as an optional extra

UNIT DIMENSIONS & SPECIFICATIONS

Refrigerated 4⁰ factory set point

Model	Cabinet			Display plates	Display Area	Refrigerant	Operating Current	Connection	Voltage
	Length mm	Depth mm	Height mm						
LPRF15	1500	815	1180	348w x 613d	Sq.M	134a	4.5 Amp	10amp 3 pin plug	50/60 Hertz
				4	0.85				240V

* prior to installation see, installation guidelines, ventilation requirements and drainage options documents

ELECTRICAL POWER

Electrical power cord 2200mm
 3 pin 10 amp 1 phase socket required.
 Maximum ambient operating temperature climate class N max 32°C

