



### PRODUCT FEATURES

- Deck forced heating
- Single glazed
- Hinged rear doors
- Four adjustable shelves
- Ticket strips on shelves and base
- Under shelf and canopy LED lights
- Sliding front doors - optional

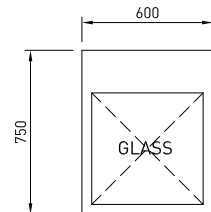
### CABINET DIMENSIONS & SPECIFICATIONS

Heated 75° factory set point

Model	Cabinet			Shelving no.	Shelf length	Base tray w x d	Total food units	Display m <sup>2</sup>
	Length mm	Depth mm	Height mm					
BTGHT6	600	750	1380	4 + base	490 x 445	540 x 510	100	1.16

Prior to installation see, installation guidelines, ventilation requirements and drainage options documents

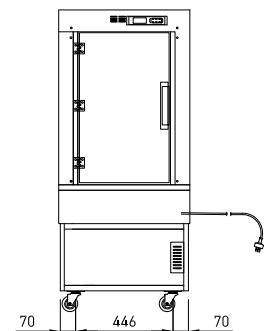
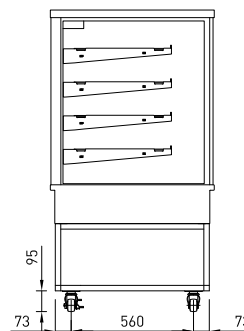
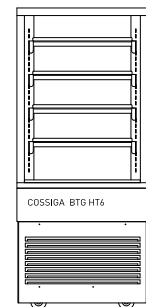
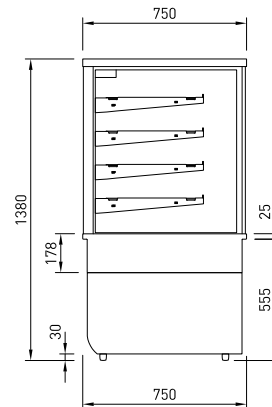
Operating Current	Connection	Voltage
		50/60 Hertz
4.1 Amp	10amp 3 pin plug	240V



### ELECTRICAL POWER

Electrical power cord 2200mm  
3 pin 10 amp 1 phase socket required

Maximum shelf load weight 15kg  
spread evenly



REAR VIEW



### PRODUCT FEATURES

- Deck forced heating
- Single glazed
- Sliding rear doors
- Four adjustable shelves
- Ticket strips on shelves and base
- Under shelf and canopy LED lights
- Sliding front doors - optional

### CABINET DIMENSIONS & SPECIFICATIONS

Heated 75° factory set point

Model	Cabinet			Shelving no.	Shelf length	Base tray w x d	Total food units	Display m2
	Length mm	Depth mm	Height mm					
BTGHT9	900	750	1380	4 + base	790 x 445	840 x 510	100 x 100	1.86

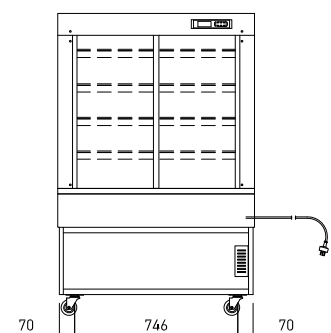
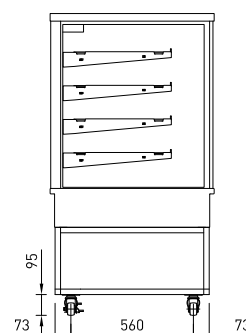
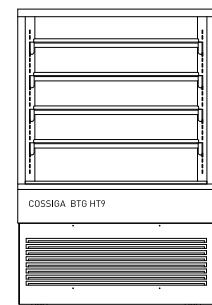
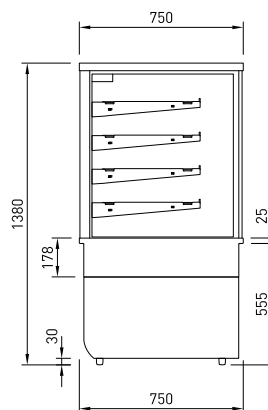
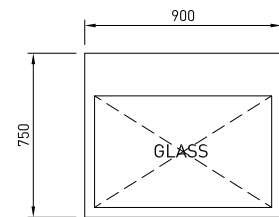
Prior to installation see, installation guidelines, ventilation requirements and drainage options documents

Operating Current	Connection	Voltage
		50/60 Hertz
6.2 Amp	10amp 3 pin plug	240V

### ELECTRICAL POWER

Electrical power cord 2200mm  
3 pin 10 amp 1 phase socket required

Maximum shelf load weight 15kg  
spread evenly



REAR VIEW



## PRODUCT FEATURES

- Deck forced heating
- Single glazed
- Sliding rear doors
- Four adjustable shelves
- Ticket strips on shelves and base
- Under shelf and canopy LED lights
- Sliding front doors - optional

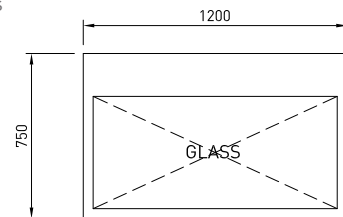
## CABINET DIMENSIONS & SPECIFICATIONS

Heated 75° factory set point

Model	Cabinet			Shelving no.	Shelf length	Base tray w x d	Total food units	Display m2
	Length mm	Depth mm	Height mm					
BTGHT12	1200	750	1380	4 + base	1095 x 445	1140 x 510	100 x 100 255	2.55

Prior to installation see, installation guidelines, ventilation requirements and drainage options documents

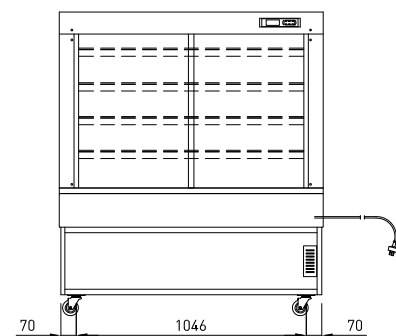
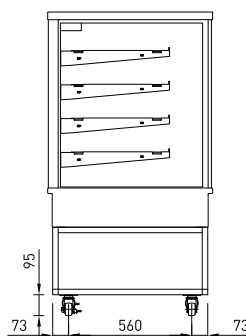
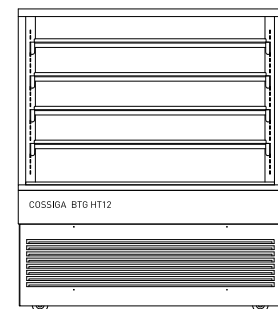
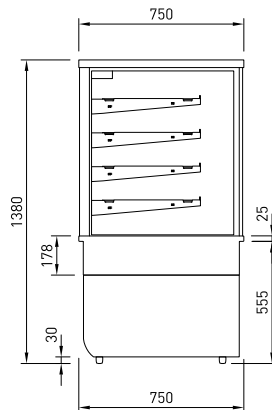
Operating Current	Connection	Voltage
8.3 Amp	10amp 3 pin plug	50/60 Hertz 240V



## ELECTRICAL POWER

Electrical power cord 2200mm  
3 pin 10 amp 1 phase socket required

Maximum shelf load weight 15kg  
spread evenly



REAR VIEW



## PRODUCT FEATURES

- Deck forced heating
- Single glazed
- Sliding rear doors
- Four adjustable shelves
- Ticket strips on shelves and base
- Under shelf and canopy LED lights
- Sliding front doors - optional

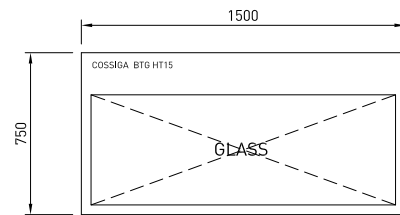
## CABINET DIMENSIONS & SPECIFICATIONS

Heated 75° factory set point

Model	Cabinet			Shelving no.	Shelf length	Base tray w x d	Total food units	Display m2
	Length mm	Depth mm	Height mm					
BTGHT15	1500	750	1380	4 + base	1395 x 445	1440 x 510	100 x 100 355	3.2

Prior to installation see, installation guidelines, ventilation requirements and drainage options documents

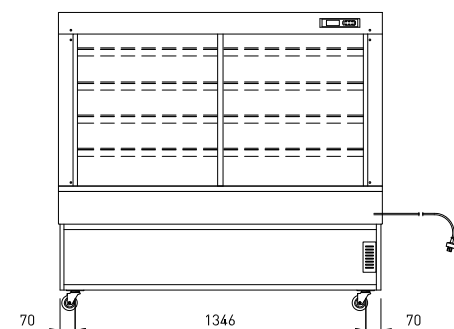
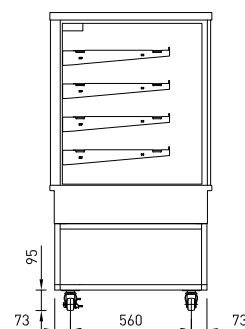
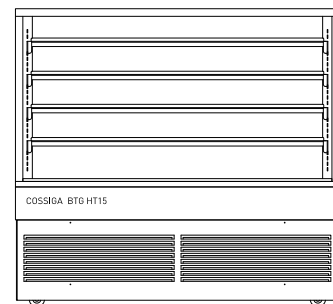
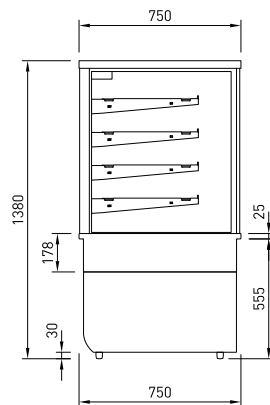
Operating Current	Connection	Voltage
10.4 Amp	15 AMP 3 PIN PLUG	50/60 Hertz 240V



## ELECTRICAL POWER

Electrical power cord 2200mm  
3 pin 10 amp 1 phase socket required

Maximum shelf load weight 15kg  
spread evenly



REAR VIEW