



## PRODUCT FEATURES

- 870mm deep
- Deck forced refrigeration
- Canopy LED light
- Integral condensor
- Self evaporating
- 65mm deep pans supplied
- Full square glass canopy
- 200mm rear service shelf

## UNIT DIMENSIONS & SPECIFICATIONS

Refrigerated 4<sup>0</sup> factory set point

Model	Cabinet			Bench cut out hole size	Pans	Refrigerant	Operating Current	Connection	Voltage
	Length mm	Depth mm	Height mm						
LSDRF3	1145	870	555	1125x850	6 3 x 1/1 3 X 1/3 65mm Gastro Pans	134a	4.3 Amp	10amp 3 pin plug	50/60 Hertz 240V

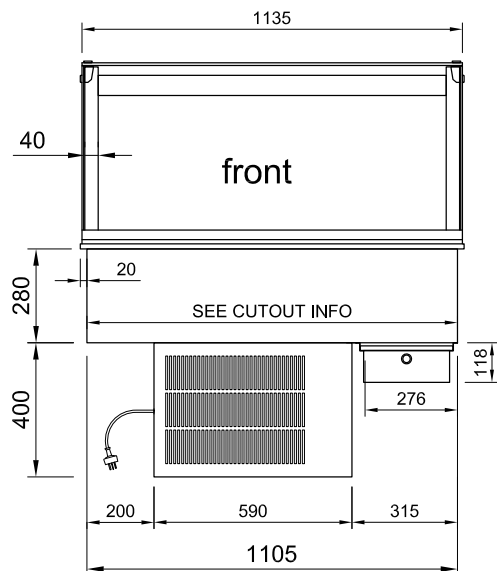
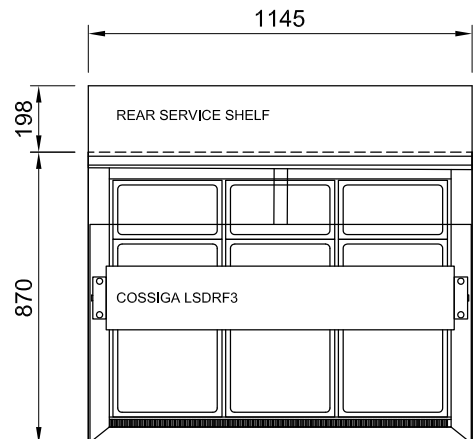
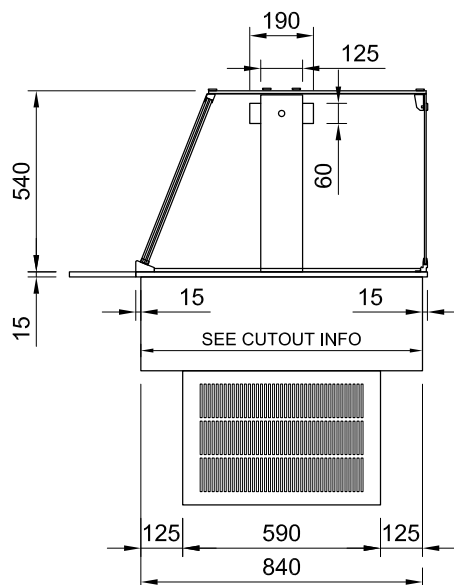
\* prior to installation see, installation guidelines, ventilation requirements and drainage options documents

## REAR SERVICE SHELF

Rear service shelf supplied. Installation optional.

## ELECTRICAL POWER

Electrical power cord 2200mm  
3 pin 10 amp 1 phase socket required.  
Maximum ambient operating  
temperature climate class N max 32°C





## PRODUCT FEATURES

- 870mm deep
- Deck forced refrigeration
- Canopy LED light
- Integral condensor
- Self evaporating
- 65mm deep pans supplied
- Full square glass canopy
- 200mm rear service shelf

## UNIT DIMENSIONS & SPECIFICATIONS

Refrigerated 4<sup>0</sup> factory set point

Model	Cabinet			Bench cut out hole size	Pans	Refrigerant	Operating Current	Connection	Voltage
	Length mm	Depth mm	Height mm						
LSDRF4	1485	870	555	1465x850	8 4 x 1/1 4 x 1/3 65mm Gastro Pans	134a	4.5 Amp	10amp 3 pin plug	50/60 Hertz 240V

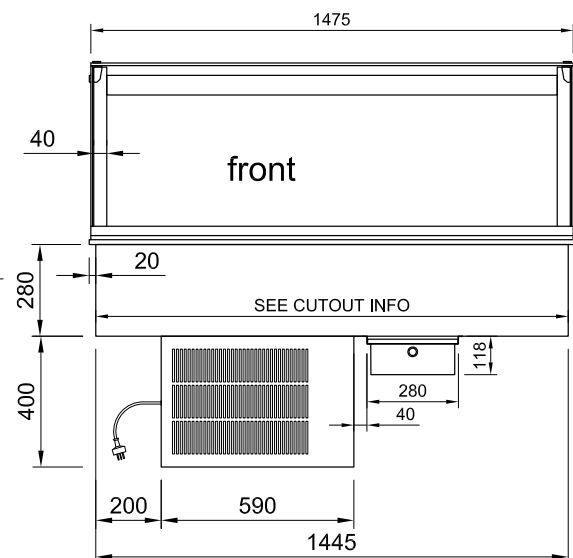
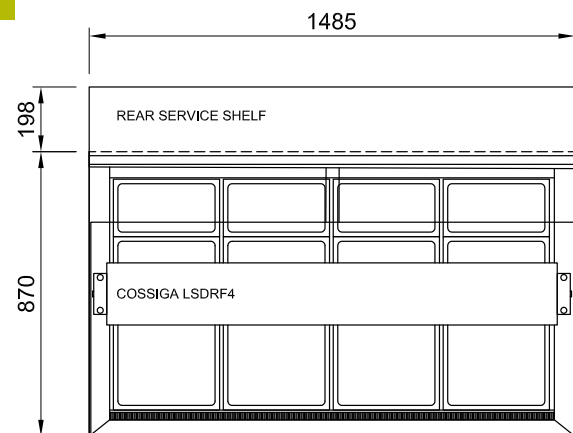
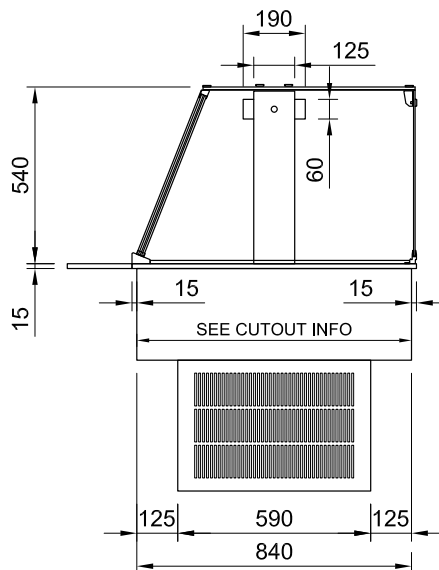
\* prior to installation see, installation guidelines, ventilation requirements and drainage options documents

## REAR SERVICE SHELF

Rear service shelf supplied. Installation optional.

## ELECTRICAL POWER

Electrical power cord 2200mm  
3 pin 10 amp 1 phase socket required.  
Maximum ambient operating  
temperature climate class N max 32°C





## PRODUCT FEATURES

- 870mm deep
- Deck forced refrigeration
- Canopy LED light
- Integral condensor
- Self evaporating
- 65mm deep pans supplied
- Full square glass canopy
- 200mm rear service shelf

## UNIT DIMENSIONS & SPECIFICATIONS

Refrigerated 4<sup>0</sup> factory set point

Model	Cabinet			Bench cut out hole size	Pans	Refrigerant	Operating Current	Connection	Voltage
	Length mm	Depth mm	Height mm						
LSDRF5	1825	870	555	1805x850	5 x 1/1 5 x 1/3 65mm Gastro Pans	134a	4.5 Amp	10amp 3 pin plug	240V

\* prior to installation see, installation guidelines, ventilation requirements and drainage options documents

## REAR SERVICE SHELF

Rear service shelf supplied. Installation optional.

## ELECTRICAL POWER

Electrical power cord 2200mm  
 3 pin 10 amp 1 phase socket required.  
 Maximum ambient operating  
 temperature climate class N max 32°C

