



PRODUCT FEATURES

- Dual purpose used wet or dry
- Auto fill
- Wet elements
- Overhead halogen lights
- 65mm deep pans supplied
- Full square glass canopy
- 200mm rear service shelf

UNIT DIMENSIONS & SPECIFICATIONS

BAIN MARIE 75⁰ factory set point

Model	Cabinet			Bench cut out hole size	Pans	water fill litres	Operating Current	Connection	Voltage
	Length mm	Depth mm	Height mm						
LSDBM3	1145	870	555	1120x815	6 3 x 1/1 3 X 1/3 65mm Gastro Pans	80	15.6 Amp	20 amp lead only	50/60 Hertz 240V

* prior to installation see, installation guidelines, ventilation requirements and drainage options documents

REAR SERVICE SHELF

Rear service shelf supplied. Installation optional.

ELECTRICAL POWER

Electrical power cord 3000mm
1 phase connection required.

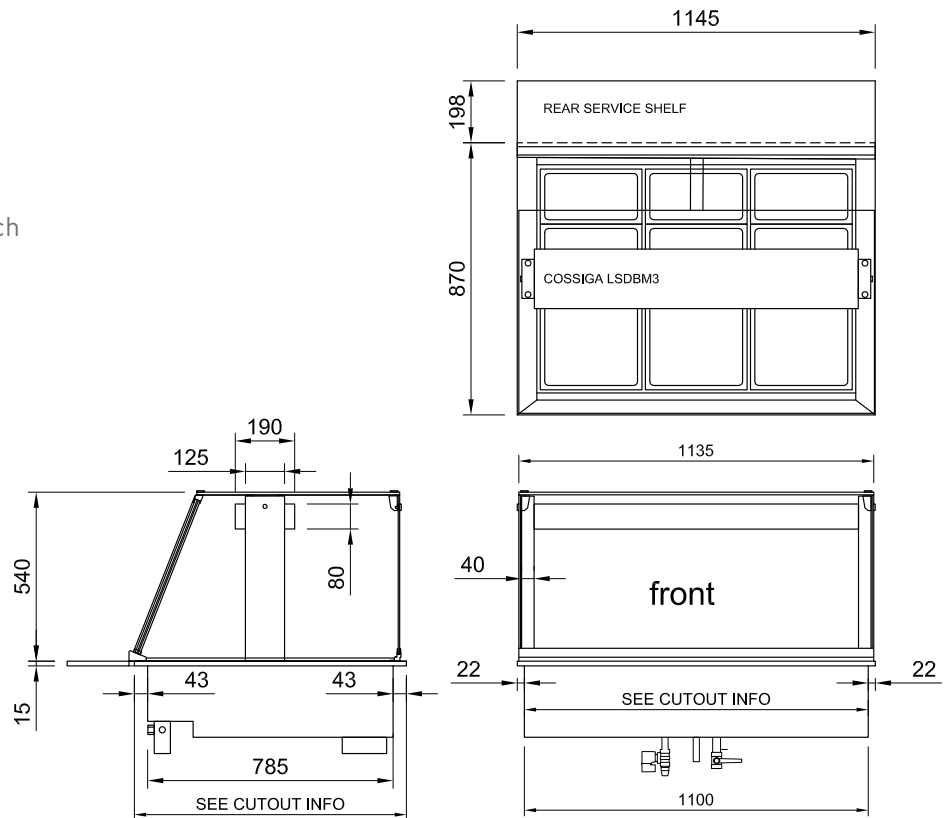
Unit can be hard wired to isolation switch or fitted with suitable heavy duty plug such as PDL 56 series or Commando style plug.

WATER DRAINAGE

Screw on stop cock valve drain pipe
Ideally drain connected to waste.
Overflow flexible waste pipe 19mm dia. 1000 mm length from valve must be connected to waste.

GASTRO PANS

Units supplied with 1/1 pans at 65mm deep, max pan depth is 100mm





PRODUCT FEATURES

- Dual purpose used wet or dry
- Auto fill
- Wet elements
- Overhead halogen lights
- 65mm deep pans supplied
- Full square glass canopy
- 200mm rear service shelf

UNIT DIMENSIONS & SPECIFICATIONS

BAIN MARIE 75⁰ factory set point

Model	Cabinet			Bench cut out hole size	Pans	water fill litres	Operating Current	Connection	Voltage
	Length mm	Depth mm	Height mm						
LSDBM4	1485	870	555	1460x815	8 4 x 1/1 4 X 1/3 65mm Gastro Pans	106	20.8 Amp	30 amp lead only	50/60 Hertz 240V

* prior to installation see, installation guidelines, ventilation requirements and drainage options documents

REAR SERVICE SHELF

Rear service shelf supplied. Installation optional.

ELECTRICAL POWER

Electrical power cord 3000mm
1 phase connection required.

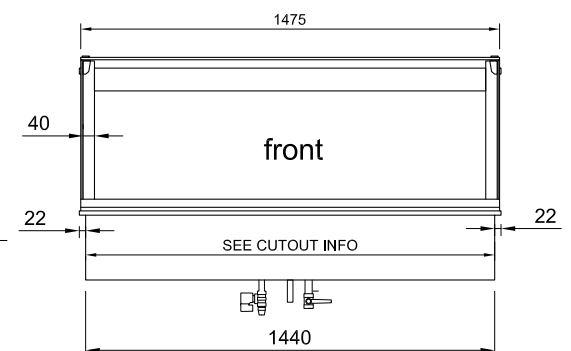
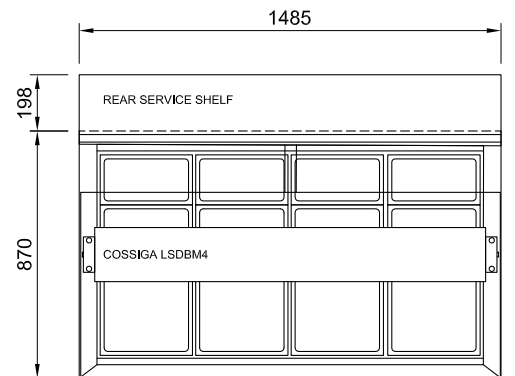
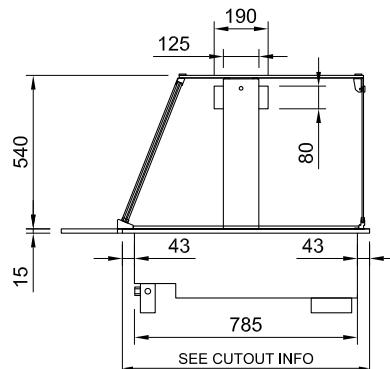
Unit can be hard wired to isolation switch or fitted with suitable heavy duty plug such as PDL 56 series or Commando style plug.

WATER DRAINAGE

Screw on stop cock valve drain pipe
Ideally drain connected to waste.
Overflow flexible waste pipe 19mm dia. 1000 mm length from valve must be connected to waste.

GASTRO PANS

Units supplied with 1/1 pans at 65mm deep, max pan depth is 100mm





PRODUCT FEATURES

- Dual purpose used wet or dry
- Auto fill
- Wet elements
- Overhead halogen lights
- 65mm deep pans supplied
- Full square glass canopy
- 200mm rear service shelf

UNIT DIMENSIONS & SPECIFICATIONS

BAIN MARIE 75⁰ factory set point

Model	Cabinet			Bench cut out hole size	Pans	water fill litres	Operating Current	Connection	Voltage
	Length mm	Depth mm	Height mm						
LSDBM5	1825	870	555	1800x815	5 x 1/1 5 X 1/3 65mm Gastro Pans	132	26.1 Amp	30 amp lead only	240V

* prior to installation see, installation guidelines, ventillation requirements and drainage options documents

REAR SERVICE SHELF

Rear service shelf supplied. Installation optional.

ELECTRICAL POWER

Electrical power cord 3000mm
1 phase connection required.

Unit can be hard wired to isolation switch or fitted with suitable heavy duty plug such as PDL 56 series or Commando style plug.

WATER DRAINAGE

Screw on stop cock valve drain pipe
Ideally drain connected to waste.
Overflow flexible waste pipe 19mm dia. 1000 mm length from valve must be connected to waste.

GASTRO PANS

Units supplied with 1/1 pans at 65mm deep, max pan depth is 100mm

