

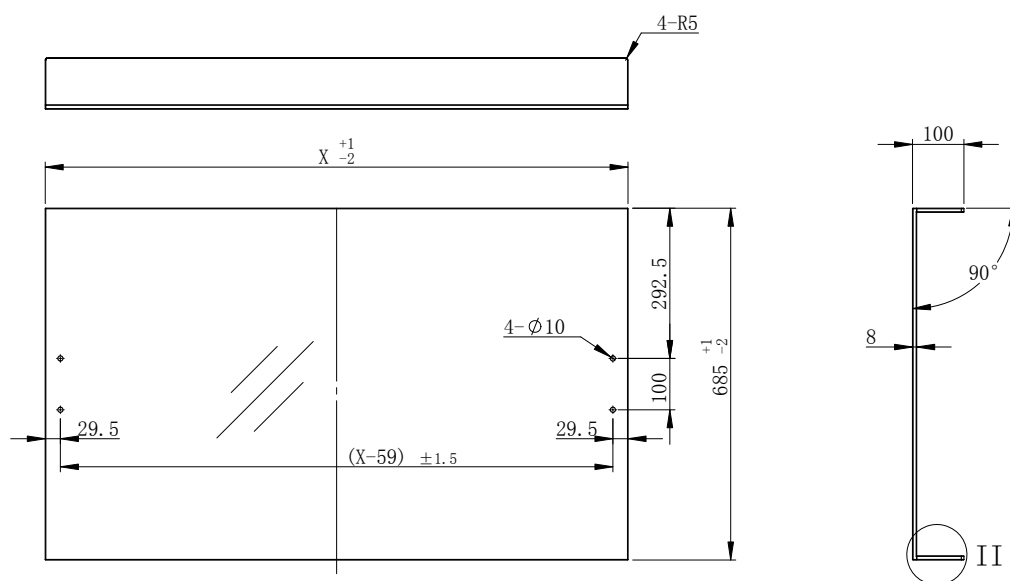


### FLAT TOP GLASS

- Clear 8mm toughend glass
- Flat top and sides

### DIMENSIONS & SPECIFICATIONS

Model	glass size			Part Number
	Length X mm	Depth mm	Height mm	
GLFT GLASS TYPE				
LSRF2/LSBM2/LSCM2	795	685	100	S21-626
LSRF3/LSBM3/LSCM3	1135	685	100	S21-583
LSRF4/LSBM4/LSCM4	1475	685	100	S21-627
LSRF5/LSBM5/LSCM5	1815	685	100	S21-628
LSRF6/LSBM6/LSCM6	2155	685	100	S21-629





### FULL SQUARE GLASS

- Sliding acrylic rear doors
- Glass sides
- Clear 8mm toughend glass
- 

### DIMENSIONS & SPECIFICATIONS

Model	glass size			Part Number
	Length X mm	Depth mm	Height mm	
GLFS GLASS TYPE				
LSRF2/LSBM2/LSCM2	795	690	540	
LSRF3/LSBM3/LSCM3	1135	690	540	
LSRF4/LSBM4/LSCM4	1475	690	540	
LSRF5/LSBM5/LSCM5	1815	690	540	

