



## PRODUCT FEATURES

- Single ceramic heated glass
- Digital thermostatic controller
- Heat indicating LED lights on panel
- Flush mount drop in module

## UNIT DIMENSIONS & SPECIFICATIONS

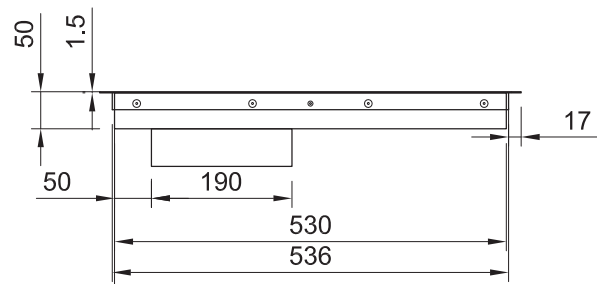
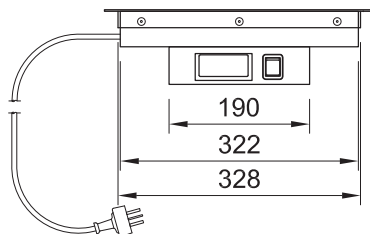
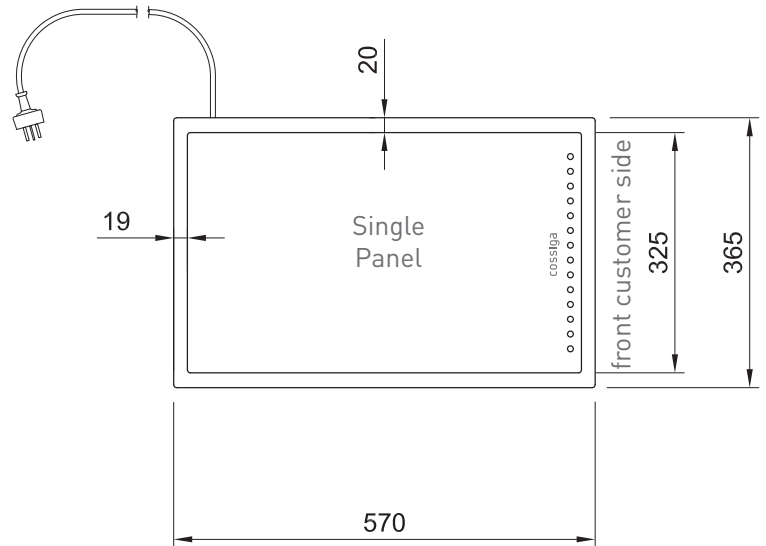
## CERAMIC TOP

Model	Cabinet			Bench cut out hole size	Heating	Operating Current	Connection	Voltage
	Length mm	Depth mm	Height mm					
LSSC	570	365	1.5mm	545 x 338	Ceramic Glass 1 x panel	2.7 Amp	10amp 3 pin plug	50/60 Hertz  240V

## SPECIFICATIONS

### ELECTRICAL POWER

Electrical power cord 3000mm  
3 pin 10 amp 1 phase socket required  
Single controller

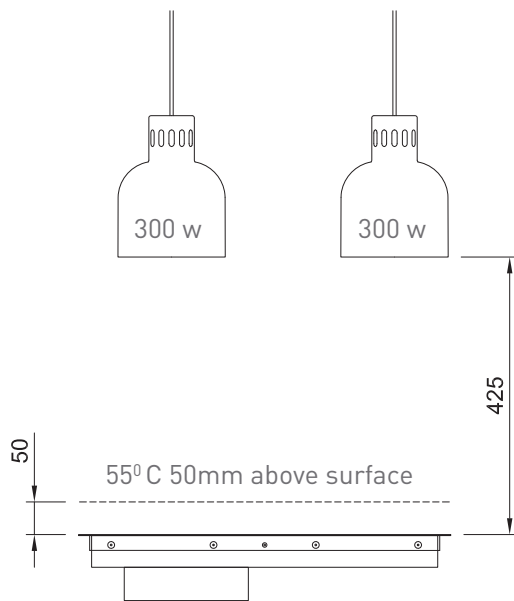




## SINGLE CERAMIC

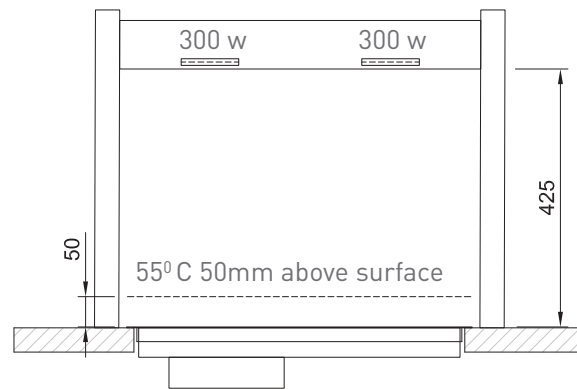
- Single ceramic heated glass
- Digital thermostatic controller
- Heat indicating LED lights on panel
- Flush mount drop in module

## OVERHEAD LAMP OPTION -by others



## COSSIGA OVERHEAD GANTRY

For matching overhead heat source to match Cossiga supplied gantry use 300 watt halogen bulb



## HEAT SPREAD

Check heat spread from chosen overhead heat source

