



### PRODUCT FEATURES

- Sliding doors front and rear
- Overhead halogen lights
- Wet / dry element in base
- Single glazed glass
- Solid glass front - optional

### CABINET DIMENSIONS & SPECIFICATIONS

### Bain Marie

Model	Cabinet			Shelving no.	Operating Current	Connection	Voltage
	Length mm	Depth mm	Height mm				50/60 Hertz
STGBM9	900	650	920	4 x 1/2 - 65mm Gastro Pans	9.9 Amp	15 amp 3 pin plug	240V

\* prior to installation see, installation guidelines, ventilation requirements and drainage options documents

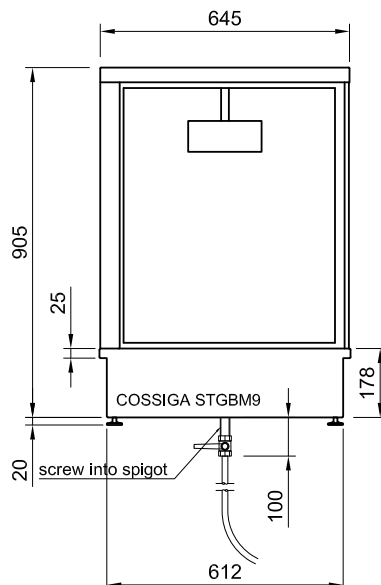
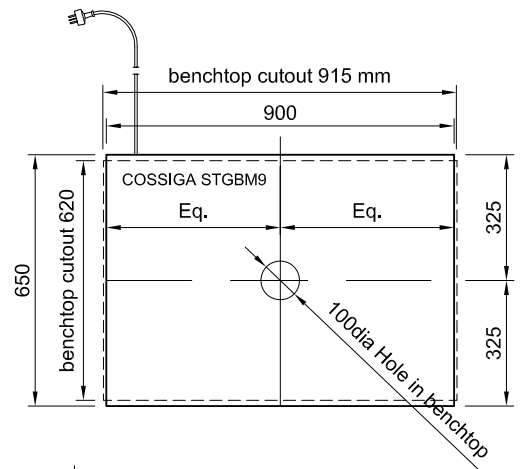
#### ELECTRICAL POWER

Electrical power cord 2200mm  
1 phase connection required.  
Unit must be hard wired on site  
to isolation switch.

#### WATER DRAINAGE

Drain pipe centred below unit  
Screw on stop cock valve to  
flexible hose

Water filled manually





## PRODUCT FEATURES

- Sliding doors front and rear
- Overhead halogen lights
- Wet / dry element in base
- Single glazed glass
- Solid glass front - optional

## CABINET DIMENSIONS & SPECIFICATIONS

Bain Marie

Model	Cabinet			Shelving no.	Operating Current	Connection	Voltage
	Length mm	Depth mm	Height mm				
STGBM12	1200	650	920	6 x 1/2 - 65mm Gastro Pans	11 Amp	15 amp lead only	50/60 Hertz 240V

\* prior to installation see, installation guidelines, ventilation requirements and drainage options documents

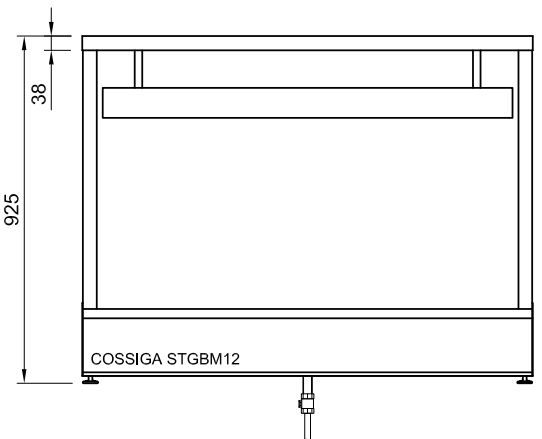
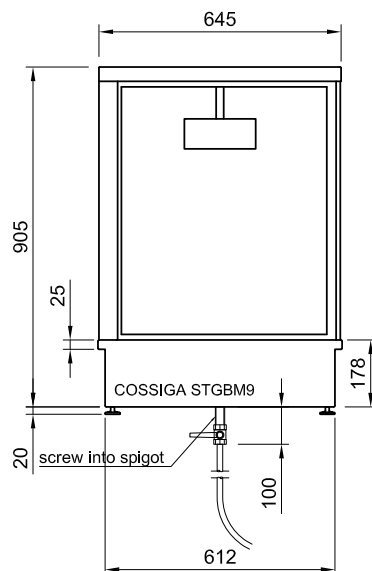
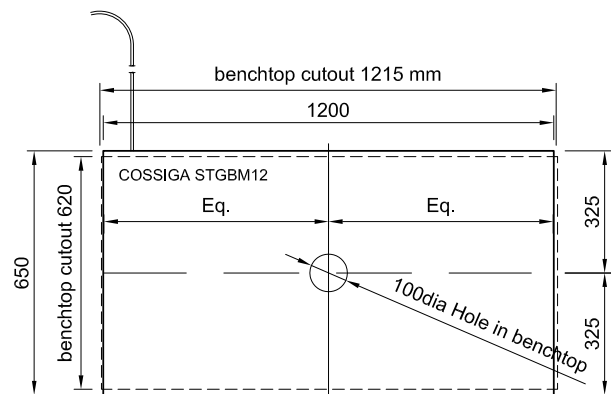
### ELECTRICAL POWER

Electrical power cord 2200mm  
1 phase connection required.  
Unit must be hard wired on site  
to isolation switch.

### WATER DRAINAGE

Drain pipe centred below unit  
Screw on stop cock valve to  
flexible hose

Water filled manually





## PRODUCT FEATURES

- Sliding doors front and rear
- Overhead halogen lights
- Wet / dry element in base
- Single glazed glass
- Solid glass front - optional

## CABINET DIMENSIONS & SPECIFICATIONS

Bain Marie

Model	Cabinet			Shelving no.	Operating Current	Connection	Voltage
	Length mm	Depth mm	Height mm				
STGBM15	1500	650	920	8 x 1/2 - 65mm Gastro Pans	15 Amp	20 amp lead only	50/60 Hertz 240V

\* prior to installation see, installation guidelines, ventilation requirements and drainage options documents

### ELECTRICAL POWER

Electrical power cord 2200mm  
1 phase connection required.  
Unit must be hard wired on site  
to isolation switch.

### WATER DRAINAGE

Drain pipe centred below unit  
Screw on stop cock valve to  
flexible hose

Water filled manually

