

UNIT DIMENSIONS & SPECIFICATION

REFRIGERATED 4° factory set point

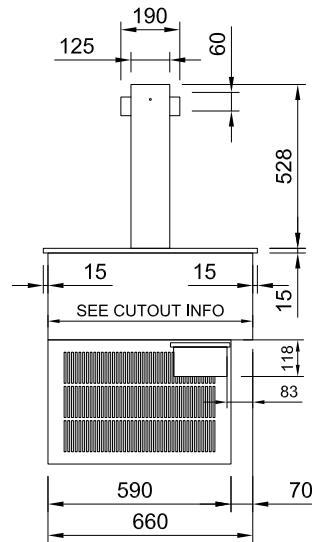
Model	Cabinet			Bench cut out hole size	Pans	Refrigerant	Operating Current	Connection	Voltage
	Length mm	Depth mm	Height mm						
LSRF2	805	690	555	785x670	2 x 1/1 65mm Gastro Pans	134a	4.6 Amp	10amp 3 pin plug	240V
LSRF3	1145	690	555	1125x670	3 x 1/1 65mm Gastro Pans	134a	4.6 Amp	10amp 3 pin plug	240V
LSRF4	1485	690	555	1465x670	4 x 1/1 65mm Gastro Pans	134a	4.8 Amp	10amp 3 pin plug	240V
LSRF5	1825	690	555	1805x670	5 x 1/1 65mm Gastro Pans	134a	4.8 Amp	10amp 3 pin plug	240V
LSRF6	2165	690	555	2145x670	6 x 1/1 65mm Gastro Pans	134a	5.0 Amp	10amp 3 pin plug	240V

* prior to installation see, installation guidelines, ventilation requirements and drainage options documents

ELECTRICAL POWER

Electrical power cord 2200mm
3 pin 10 amp 1 phase socket required.
Maximum ambient operation
temperature climate class N max 32° C

LSRF RIGHT SIDE ELEVATION

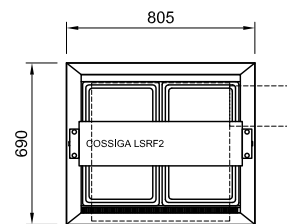
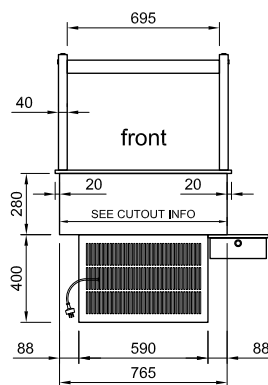


PRODUCT FEATURES

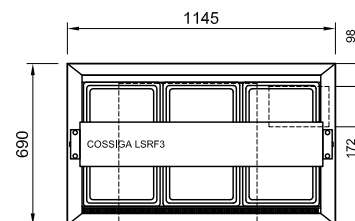
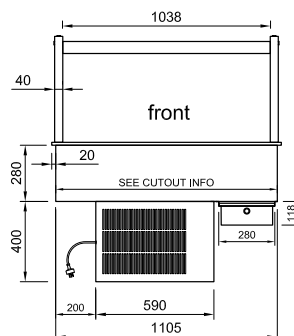
- Deck forced refrigeration
- Canopy LED light
- Integral condenser
- Self evaporating
- 65mm deep full size pan supplied
- Foam insulated double skin base
- Glass supplied separately



LSRF2



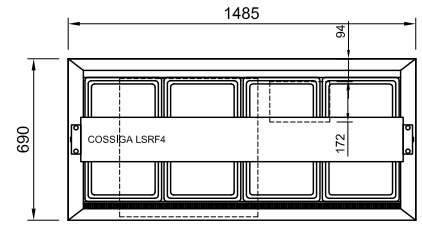
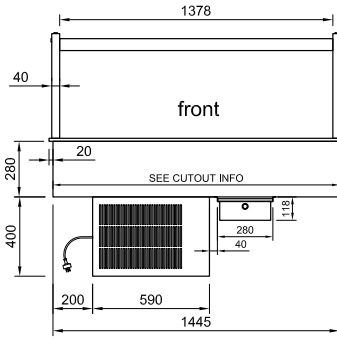
LSRF3



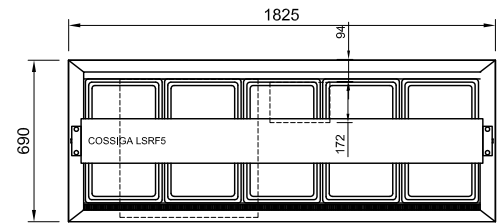
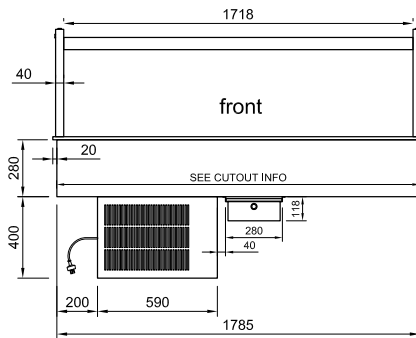
ASSEMBLY REQUIRED



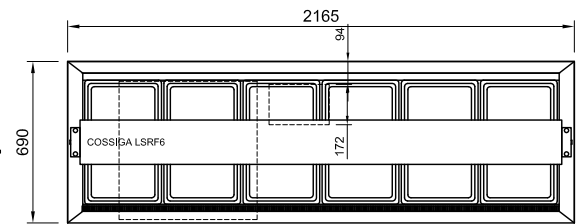
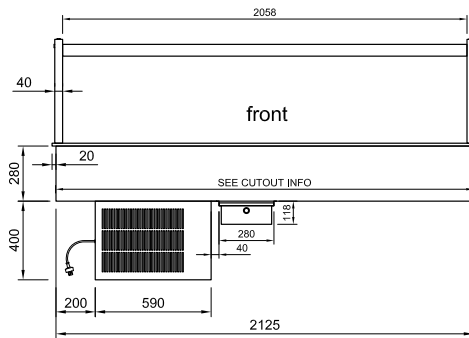
LSRF4



LSRF5

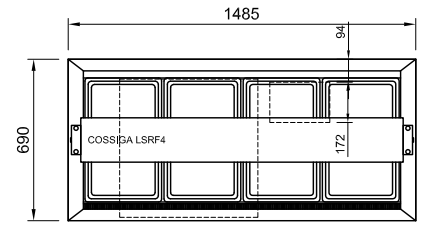
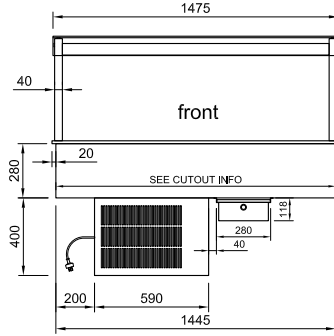


LSRF6

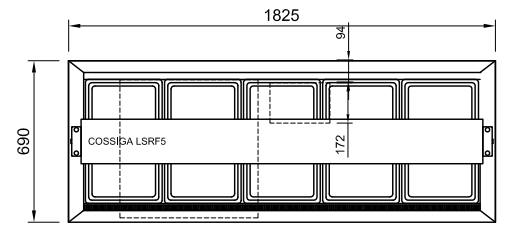
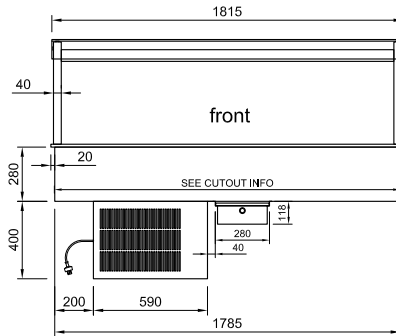




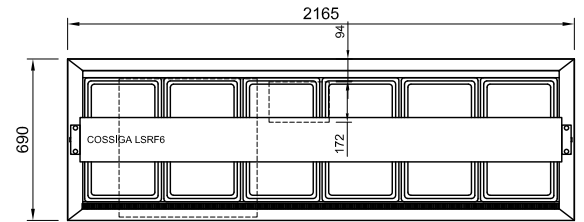
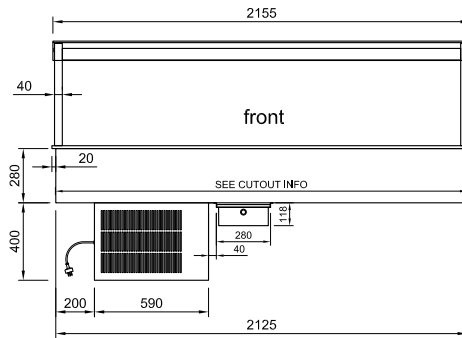
LSRF4-FT



LSRF5-FT



LSRF6-FT



UNIT DIMENSIONS & SPECIFICATION

REFRIGERATED 4° factory set point

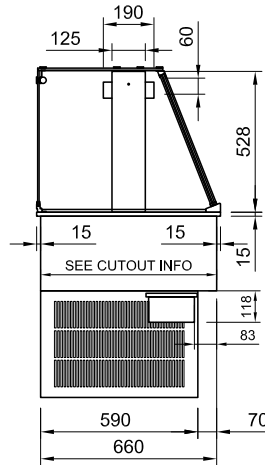
Model	Cabinet			Bench cut out hole size	Pans	Refrigerant	Operating Current	Connection	Voltage
	Length mm	Depth mm	Height mm						
LSRF2 -FS	805	690	555	785x670	2 x 1/1 65mm Gastro Pans	134a	4.6 Amp	10amp 3 pin plug	240V
LSRF3 -FS	1145	690	555	1125x670	3 x 1/1 65mm Gastro Pans	134a	4.6 Amp	10amp 3 pin plug	240V
LSRF4 -FS	1485	690	555	1465x670	4 x 1/1 65mm Gastro Pans	134a	4.8 Amp	10amp 3 pin plug	240V
LSRF5 -FS	1825	690	555	1805x670	5 x 1/1 65mm Gastro Pans	134a	4.8 Amp	10amp 3 pin plug	240V
LSRF6 -FS	2165	690	555	2145x670	6 x 1/1 65mm Gastro Pans	134a	5.0 Amp	10amp 3 pin plug	240V

* prior to installation see, installation guidelines, ventilation requirements and drainage options documents

ELECTRICAL POWER

Electrical power cord 2200mm
3 pin 10 amp 1 phase socket required.
Maximum ambient operation
temperature climate class N max 32° C

LSRF RIGHT SIDE ELEVATION

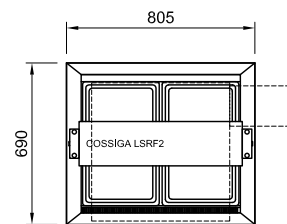
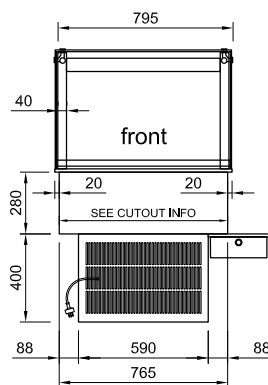


PRODUCT FEATURES

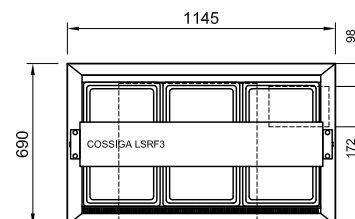
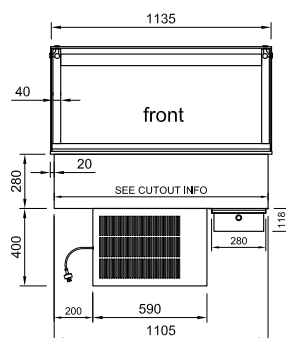
- Deck forced refrigeration
- Canopy LED light
- Integral condenser
- Self evaporating
- 65mm deep full size pan supplied
- Foam insulated double skin base
- Glass supplied separately



LSRF2-FS



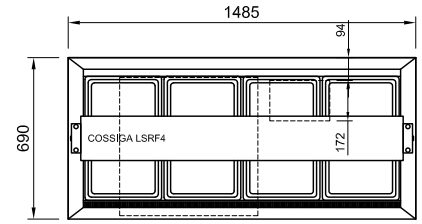
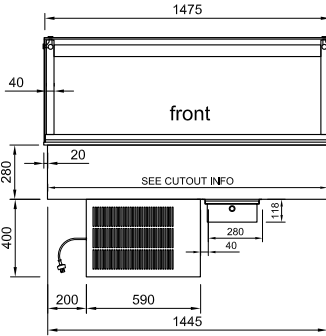
LSRF3-FS



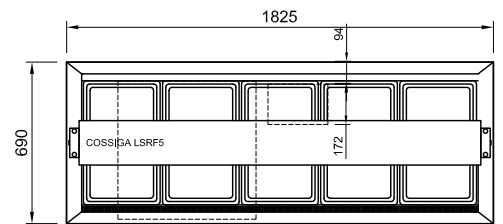
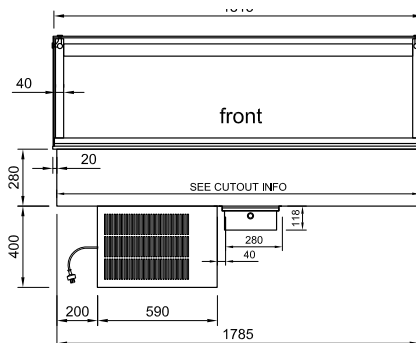
ASSEMBLY REQUIRED



LSRF4-FS



LSRF5-FS



LSRF6-FS

