



### PRODUCT FEATURES

- Open front heated
- Single glazed
- Hinged rear door
- Individual shelf heating including base
- Ticket strips on shelves and base
- Undershelf and canopy LED lights

### CABINET DIMENSIONS & SPECIFICATIONS

Heated 75<sup>0</sup> factory set point

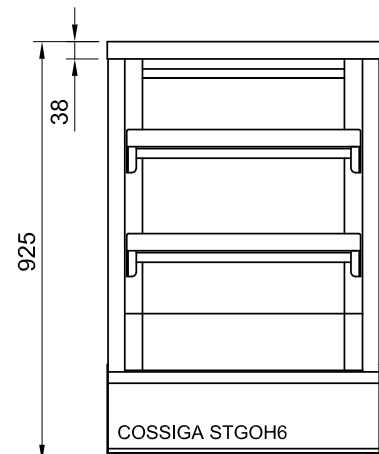
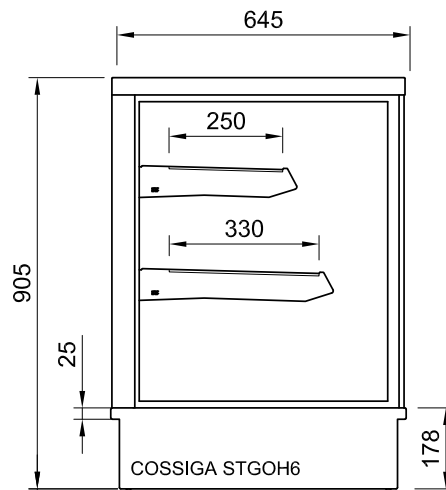
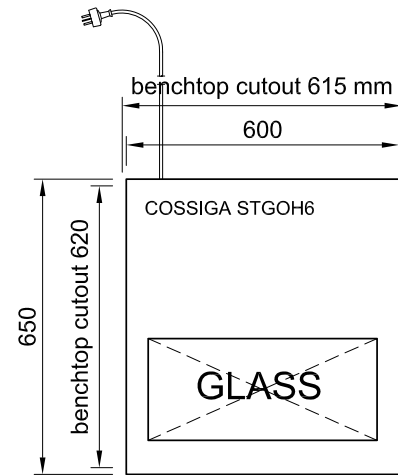
Model	Cabinet			Shelving no.	Display m2	Total food units	Operating Current	Connection	Voltage
	Length mm	Depth mm	Height mm						
STGOH6	600	650	925	2 + base		100 X 100 mm	8.1 Amp	10 amp 3 pin plug	50/60 Hertz

\* prior to installation see, installation guidelines, ventillation requirements and drainage options documents

### ELECTRICAL POWER

Electrical power cord 2200mm  
3 pin 10 amp 1 phase socket required.

Maximum shelf load weight 15kg  
spread evenly





### PRODUCT FEATURES

- Open front heated
- Single glazed
- Sliding rear doors
- Individual shelf heating including base
- Ticket strips on shelves and base
- Undershelf and canopy LED lights

### CABINET DIMENSIONS & SPECIFICATIONS

Heated 75<sup>0</sup> factory set point

Model	Cabinet			Shelving no.	Display m2	Total food units	Operating Current	Connection	Voltage
	Length mm	Depth mm	Height mm						
STGOH9	900	650	925	2 + base		100 X 100 mm	9.1 Amp	15 amp 3 pin plug	50/60 Hertz

\* prior to installation see, installation guidelines, ventillation requirements and drainage options documents

#### ELECTRICAL POWER

Electrical power cord 2200mm  
3 pin 10 amp 1 phase socket required.

Maximum shelf load weight 15kg  
spread evenly

