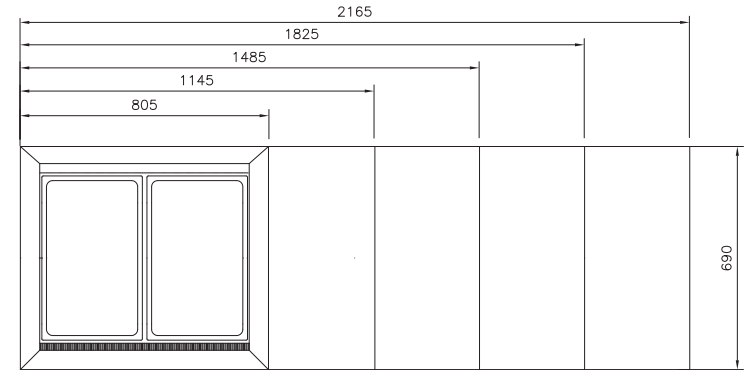
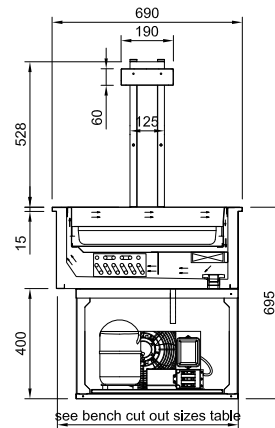




RF

LSRF2
LSRF3
LSRF4
LSRF5
LSRF6

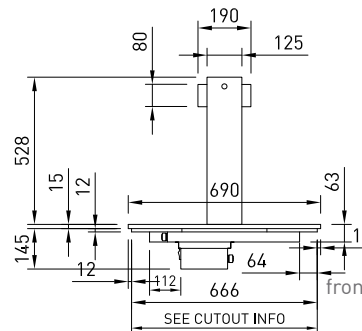
- Deck forced refrigeration
- Canopy LED light
- Integral condenser
- Self evaporating
- Foam insulated double skin base
- 65mm deep full size pan supplied



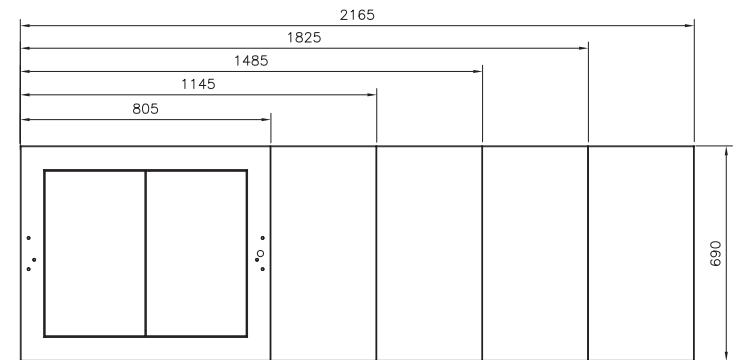
CM

LSCM2
LSCM3
LSCM4
LSCM5
LSCM6

- Ceramic Heated Glass
- Overhead Halogen Lamps
- Digital thermostatic controller
- Heat indicating LED lights



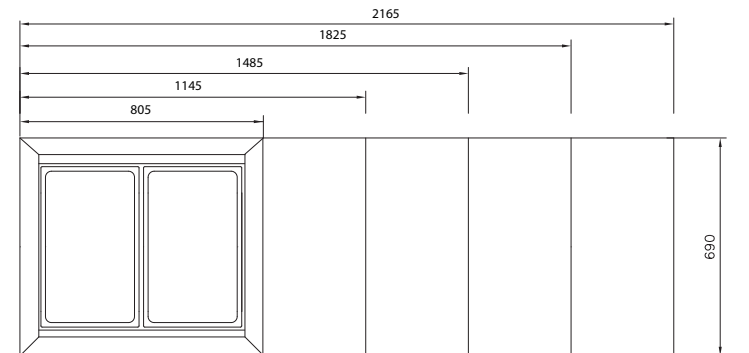
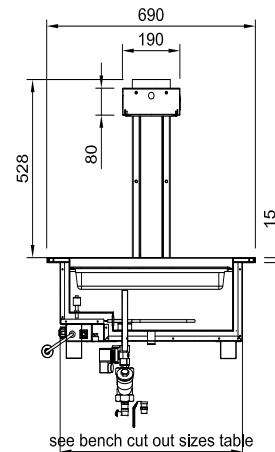
left side



BM

LSBM2
LSBM3
LSBM4
LSBM5
LSBM6

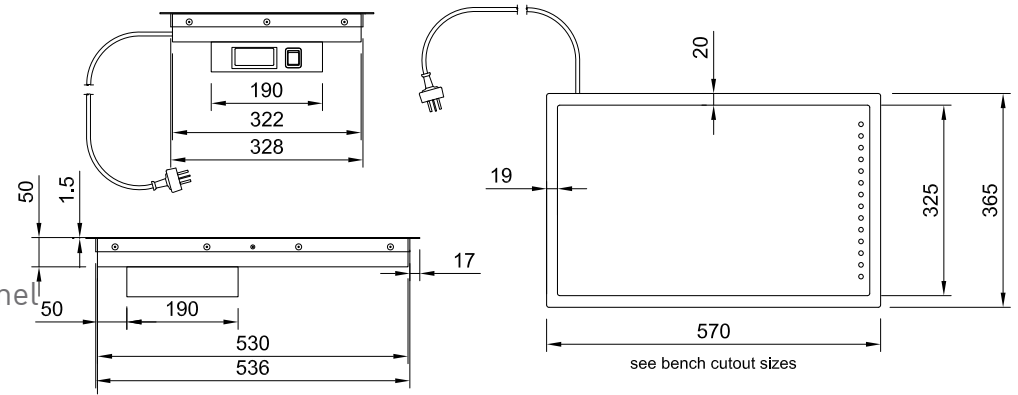
- Dual purpose used wet or dry
- Auto Fill - Wet elements
- Overhead halogen lights
- Full size pans 65mm deep supplied (max 100mm)





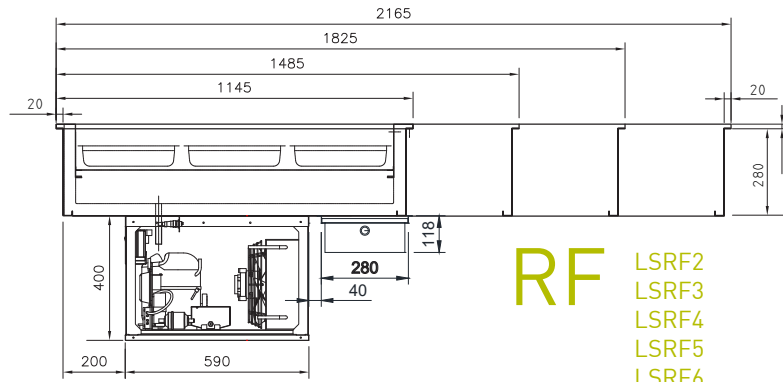
CM ^{LSSC1}

- Single ceramic heated glass
- Digital thermostatic controller
- Heat indicating LED lights on panel
- Flush mount drop in module

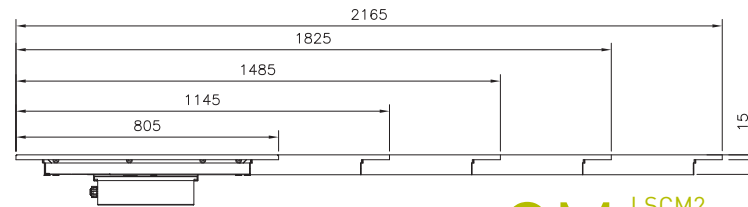
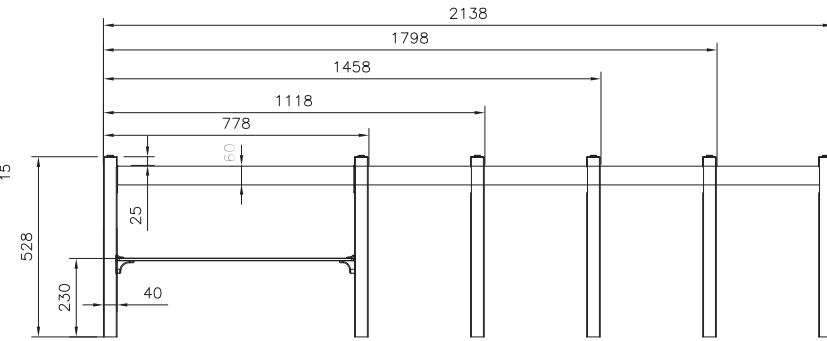


CABINET DIMENSIONS & SPECIFICATIONS

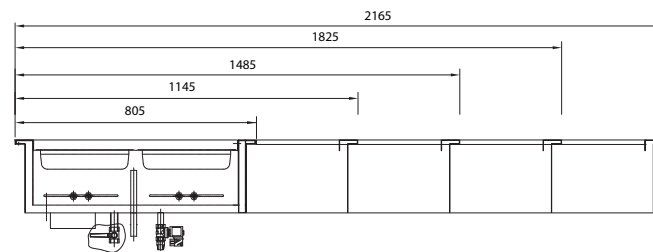
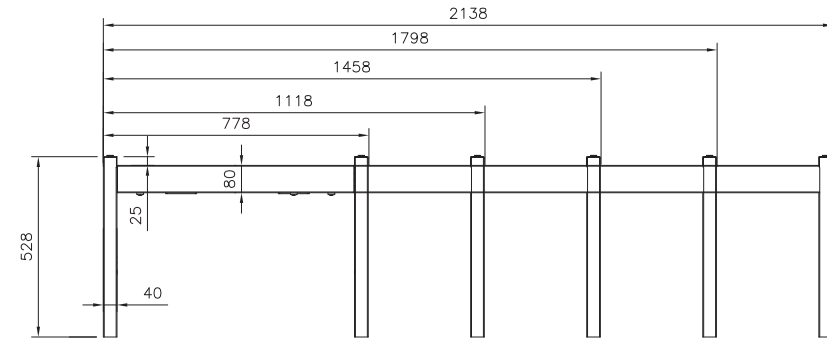
MODEL	CABINET			BENCH TOP CUT OUT HOLE SIZE	PANS	TEMP RANGE	W A T E R FILL LITERS	POWER CORD LENGTH	FREQUENCY	REFRIGERANT	OPERATING CURRENT	CONNECTION	VOLTAGE	PACKED FOR SHIPPING				
	LENGTH [MM]	DEPTH [MM]	HEIGHT [MM]											LENGTH [MM]	DEPTH [MM]	HEIGHT [MM]	WEIGHT [KG]	CUBE
LSRF2	805	690	555	785x670	2 X 1/1	3-5		2200MM	50 HZ	134A	4.6 AMP	10AMP 3 PIN PLUG	220-240V	910	770	1060	128	1.0103
LSRF3	1145	690	555	1125x670	3 X 1/1	3-5		2200MM	50 HZ	134A	4.6 AMP	10AMP 3 PIN PLUG	220-240V	1250	770	1060	128	1.0103
LSRF4	1485	690	555	1465x670	4 X 1/1	3-5		2200MM	50 HZ	134A	4.8 AMP	10AMP 3 PIN PLUG	220-240V	1590	770	1060	152	1.2978
LSRF5	1825	690	555	1805x670	5 X 1/1	3-5		2200MM	50 HZ	134A	4.8 AMP	10AMP 3 PIN PLUG	220-240V	1930	770	1060	179	1.5753
LSRF6	2165	690	555	2145x670	6 X 1/1	3-5		2200MM	50 HZ	134A	5 AMP	10AMP 3 PIN PLUG	220-240V	2270	770	1060	201	1.8528
LSBM2	805	690	555	780x635	2 X 1/1	75-85	39	3000MM	50/60 HZ	N/A	10 AMP	15 AMP LEAD ONLY	220-240V	910	770	670	66	0.469
LSBM3	1145	690	555	1120x635	3 X 1/1	75-85	57	3000MM	50/60 HZ	N/A	15 AMP	20 AMP LEAD ONLY	220-240V	1250	770	670	88	0.7219
LSBM4	1485	690	555	1460x635	4 x 1/1	75-85	75	3000MM	50/60 HZ	N/A	20 AMP	30 AMP LEAD ONLY	220-240V	1590	770	670	107	0.9182
LSBM5	1825	690	555	1800x635	5 x 1/1	75-85	93	3000MM	50/60 HZ	N/A	25 AMP	30 AMP LEAD ONLY	220-240V	1930	770	670	128	1.1146
LSBM6	2165	690	555	2140x635	6 x 1/1	75-85	113	3000MM	50/60 HZ	N/A	30 AMP	40 AMP LEAD ONLY	220-240V	2270	770	670	140	1.3109
LSCM2	805	690	555	775x672	N/A	100-115		3000MM	50/60 HZ	N/A	7.5 AMP	15 AMP LEAD ONLY	220-240V	910	770	410	76	0.3504
LSCM3	1145	690	555	1115x672	N/A	100-115		3000MM	50/60 HZ	N/A	11.3 AMP	15 AMP LEAD ONLY	220-240V	1250	770	410	88	0.4813
LSCM4	1485	690	555	1145x672	N/A	100-115		3000MM	50/60 HZ	N/A	15 AMP	20 AMP LEAD ONLY	220-240V	1590	770	410	107	0.6122
LSCM5	1825	690	555	1795x672	N/A	100-115		3000MM	50/60 HZ	N/A	18.8 AMP	20 AMP LEAD ONLY	220-240V	1930	770	410	128	0.7431
LSCM6	2165	690	555	2135x672	N/A	100-115		3000MM	50/60 HZ	N/A	22.5 AMP	30 AMP LEAD ONLY	220-240V	2270	770	410	140	0.8740
LSSC1	570	365	1.5	545 x 338	N/A	100-115		3000MM	50/60 HZ	N/A	2.7 AMP	10AMP 3 PIN PLUG	220-240V	680	420	165	17	0.099



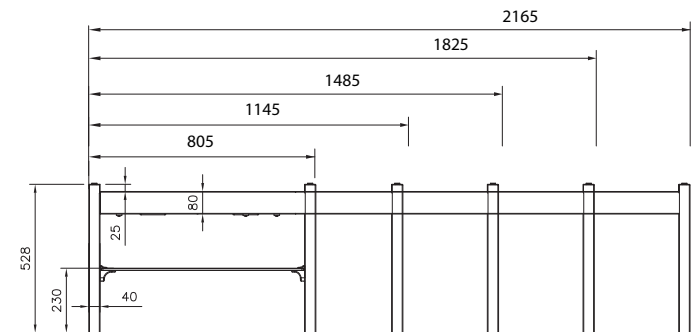
RF
 LSRF2
 LSRF3
 LSRF4
 LSRF5
 LSRF6



CM
 LSCM2
 LSCM3
 LSCM4
 LSCM5
 LSCM6

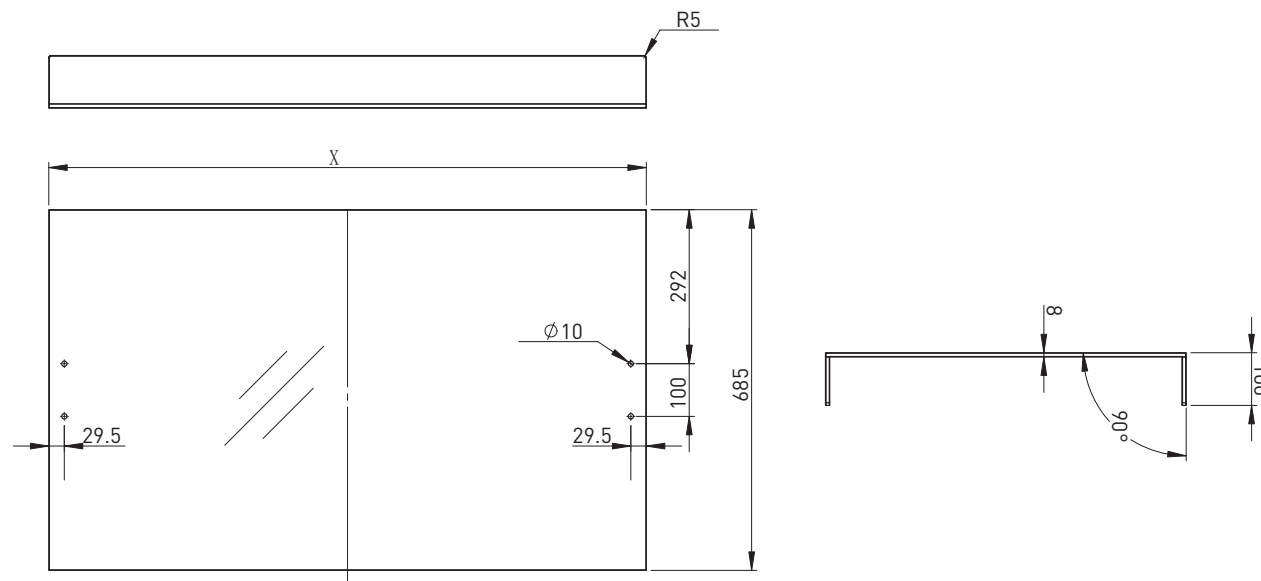


BM
 LSBM3
 LSBM4
 LSBM5
 LSBM6





GLFT Flat Top



GLFS Full Square Glass

