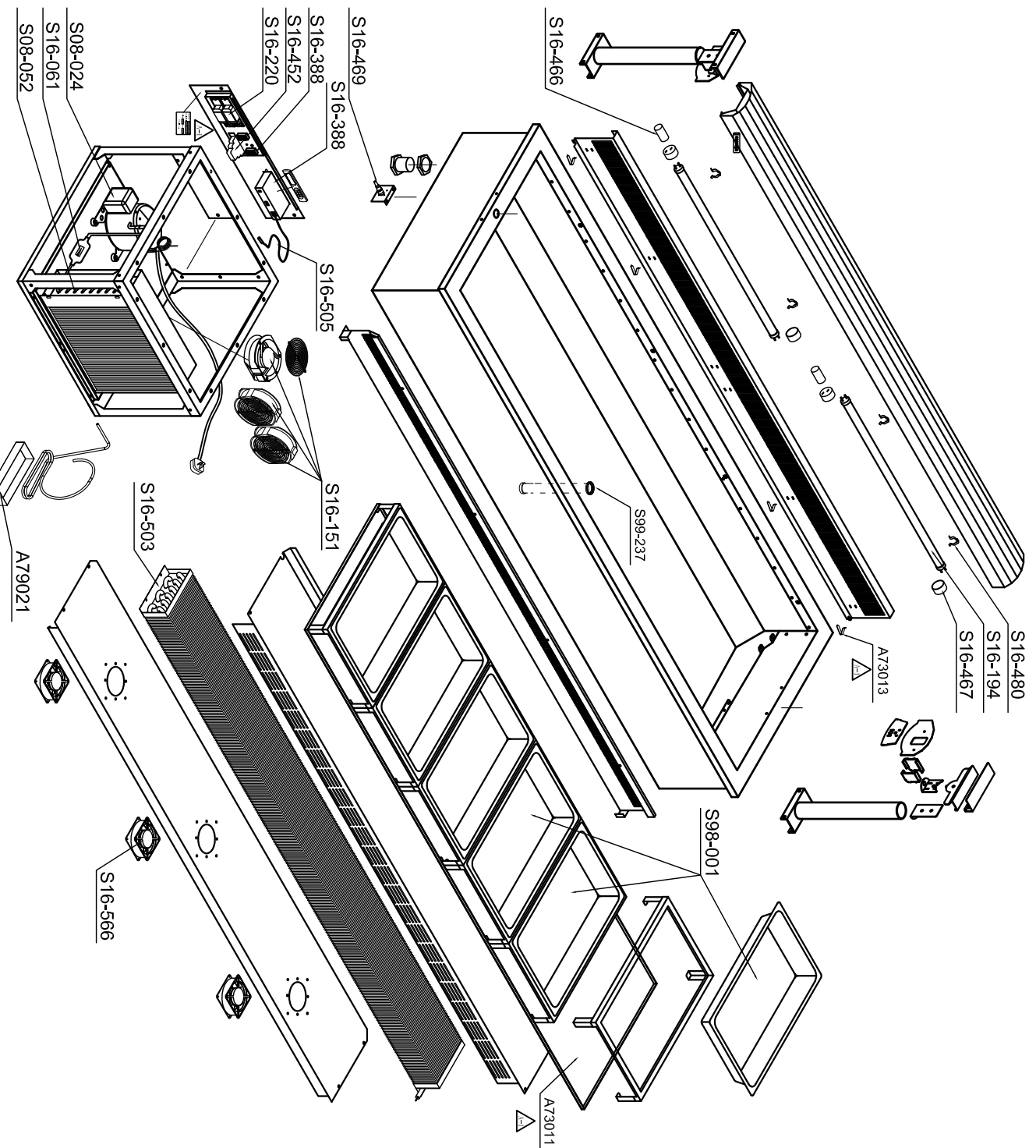


# F90-791 LSRF6 Part List



Part No	Name	Qty
S08-024	COMPRESSOR	1
S08-052	CONDENSER	1
S16-151	FAN-MOTER	3
	COVER	
S16-518	EVAPORATOR	1
S16-566	BLOWER	3
S16-040	THERMOSTAT	1
S16-452	CIRCUIT BREAKER	1
S16-388	TERMINAL BLOCK	2
S16-194	LAMP	2
S16-466	STARTER	2
S16-467	LAMP HOLDER	2
S16-480	LAMP CLIP	4
S16-220	BALLAST	2
S16-061	FILTER	1
S16-469	CONNECTOR,3-PIN	1
S99-237	DRAIN ASSY	1
S98-001	GN PAN	6
S16-505	SENSOR	1
A73011	Deck	3
A79021	Self Eva Pan	3