

PRODUCT FEATURES

- Ceramic Heated Glass
- Overhead Halogen Lamps
- Thermostatically controlled
- Glass supplied separately *

UNIT DIMENSIONS & SPECIFICATIONS

CERAMIC TOP

Model	Cabinet			bench cut out hole size	Heating	Operating Current	Connection	Voltage
	Length mm	Depth mm	Height mm					
LSCM2	805	690	555	745x600	Ceramic Glass	7.5 Amp	15 amp lead only	50/60 Hertz 240V

* prior to installation see, installation guidelines, ventilation requirements and drainage options documents

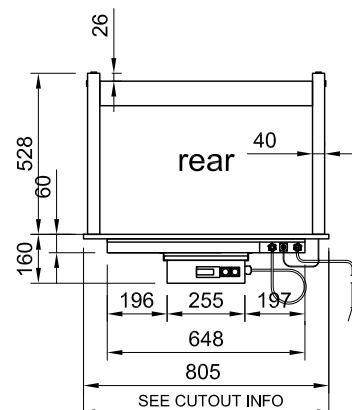
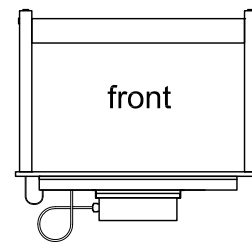
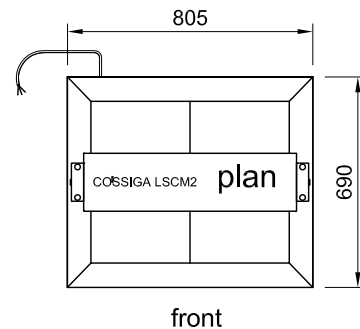
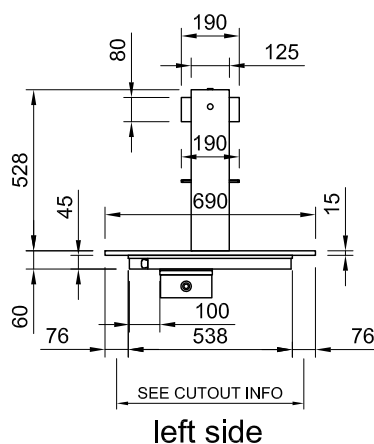
* GLASS AND GANTRY OPTIONS

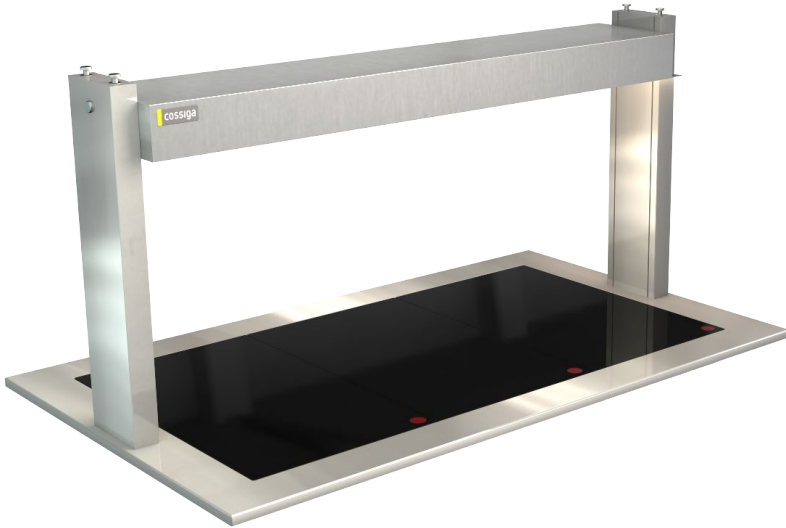
When ordering a LS unit select the gantry glass type you require from the [GLASS OPTIONS](#) page in this document.

ELECTRICAL POWER

Electrical power cord 3000mm
1 phase connection required.

Unit can be hard wired to isolation switch or fitted with suitable heavy duty plug such as PDL 56 series or Commando style plug.





PRODUCT FEATURES

- Ceramic Heated Glass
- Overhead Halogen Lamps
- Thermostatically controlled
- Glass supplied separately *

UNIT DIMENSIONS & SPECIFICATIONS

CERAMIC TOP

Model	Cabinet			bench cut out hole size	Heating	Operating Current	Connection	Voltage
	Length mm	Depth mm	Height mm					
LSCM3	1145	690	555	1085x600	Ceramic Glass	15 Amp	20 amp lead only	50/60 Hertz 240V

* prior to installation see, installation guidelines, ventillation requirements and drainage options documents

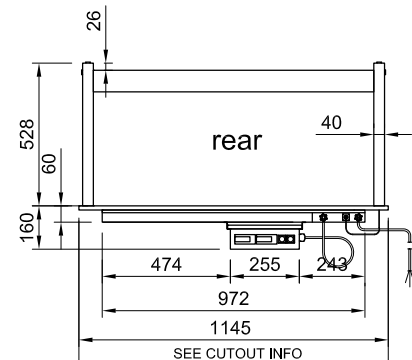
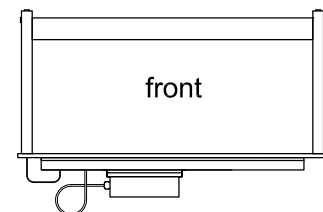
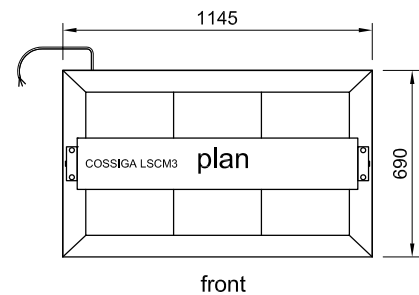
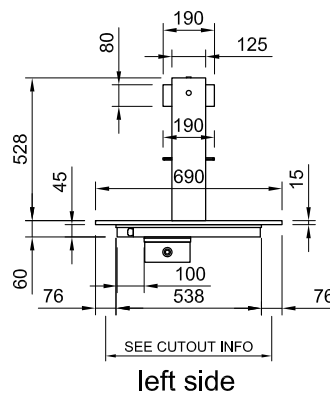
* GLASS AND GANTRY OPTIONS

When ordering a LS unit select the gantry glass type you require from the [GLASS OPTIONS](#) page in this document.

ELECTRICAL POWER

Electrical power cord 3000mm .
1 phase connection required.

Unit can be hard wired to isolation switch or fitted with suitable heavy duty plug such as PDL 56 series or Commando style plug.





PRODUCT FEATURES

- Ceramic Heated Glass
- Overhead Halogen Lamps
- Thermostatically controlled
- Glass supplied separately *

UNIT DIMENSIONS & SPECIFICATIONS

CERAMIC TOP

Model	Cabinet			bench cut out hole size	Heating	Operating Current	Connection	Voltage
	Length mm	Depth mm	Height mm					
LSCM4	1485	690	555	1425x600	Ceramic Glass	15 Amp	20 amp lead only	240V

* prior to installation see, installation guidelines, ventilation requirements and drainage options documents

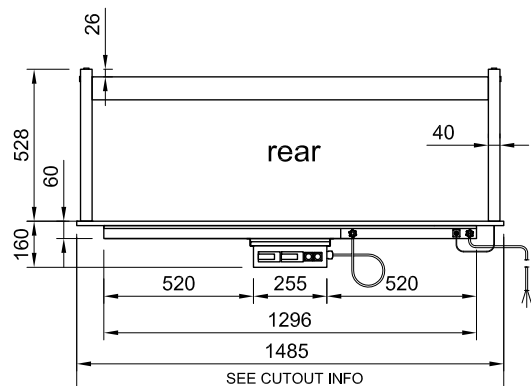
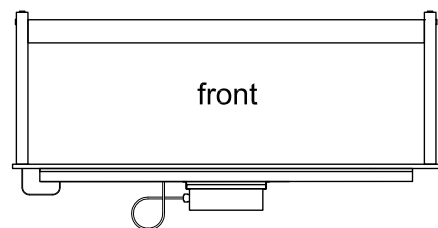
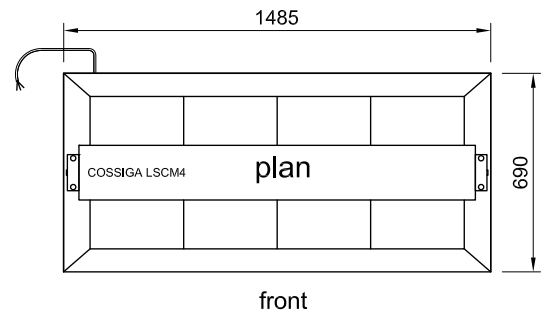
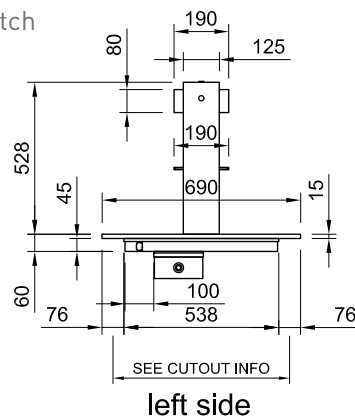
* GLASS AND GANTRY OPTIONS

When ordering a LS unit select the gantry glass type you require from the [GLASS OPTIONS](#) page in this document.

ELECTRICAL POWER

Electrical power cord 3000mm
1 phase connection required.

Unit can be hard wired to isolation switch or fitted with suitable heavy duty plug such as PDL 56 series or Commando style plug.





PRODUCT FEATURES

- Ceramic Heated Glass
- Overhead Halogen Lamps
- Thermostatically controlled
- Glass supplied separately *

UNIT DIMENSIONS & SPECIFICATIONS

CERAMIC TOP

Model	Cabinet			bench cut out hole size	Heating	Operating Current	Connection	Voltage
	Length mm	Depth mm	Height mm					
LSCM5	1825	690	555	1765x600	Ceramic Glass	18.8 Amp	20 amp lead only	50/60 Hertz 240V

* prior to installation see, installation guidelines, ventilation requirements and drainage options documents

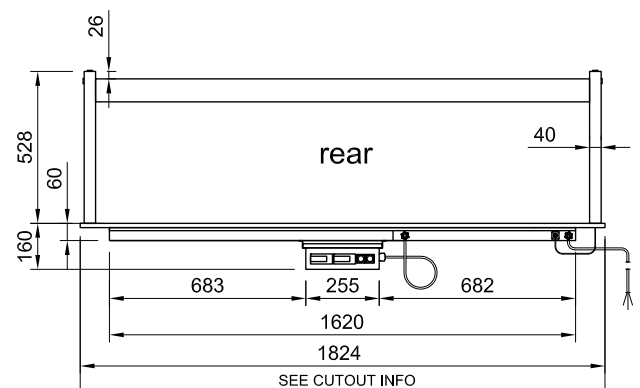
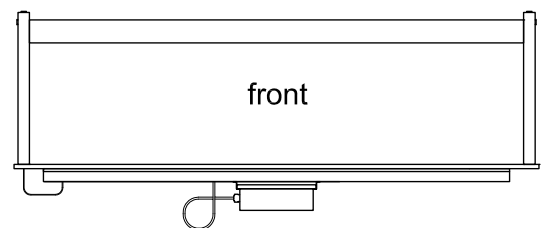
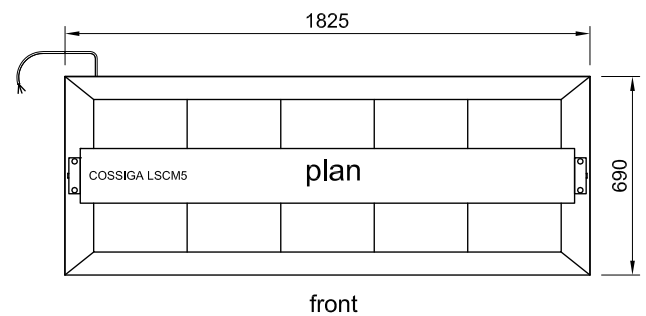
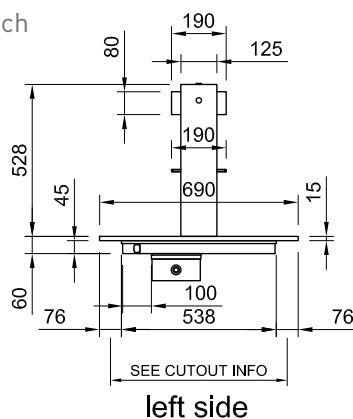
* GLASS AND GANTRY OPTIONS

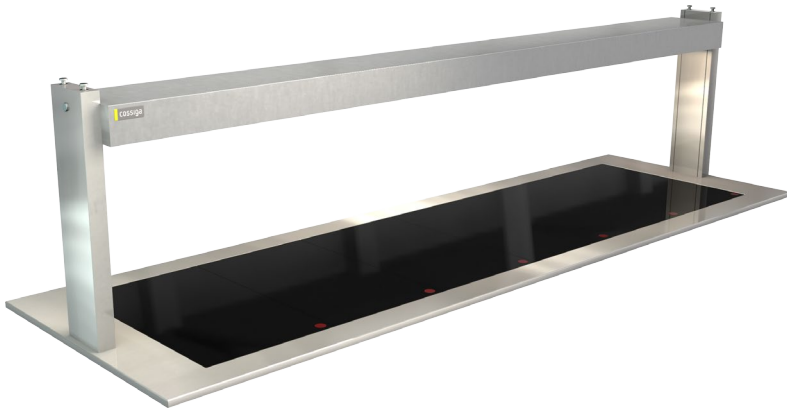
When ordering a LS unit select the gantry glass type you require from the [GLASS OPTIONS](#) page in this document.

ELECTRICAL POWER

Electrical power cord 3000mm
1 phase connection required.

Unit can be hard wired to isolation switch or fitted with suitable heavy duty plug such as PDL 56 series or Commando style plug.





PRODUCT FEATURES

- Ceramic Heated Glass
- Overhead Halogen Lamps
- Thermostatically controlled
- Glass supplied separately *

UNIT DIMENSIONS & SPECIFICATIONS

CERAMIC TOP

Model	Cabinet			bench cut out hole size	Heating	Operating Current	Connection	Voltage
	Length mm	Depth mm	Height mm					
LSCM6	2165	690	555	2105x600	Ceramic Glass	22.5 Amp	30 amp lead only	50/60 Hertz 240V

* prior to installation see, installation guidelines, ventilation requirements and drainage options documents

* GLASS AND GANTRY OPTIONS

When ordering a LS unit select the gantry glass type you require from the [GLASS OPTIONS](#) page in this document.

ELECTRICAL POWER

Electrical power cord 3000mm
1 phase connection required.

Unit can be hard wired to isolation switch or fitted with suitable heavy duty plug such as PDL 56 series or Commando style plug.

