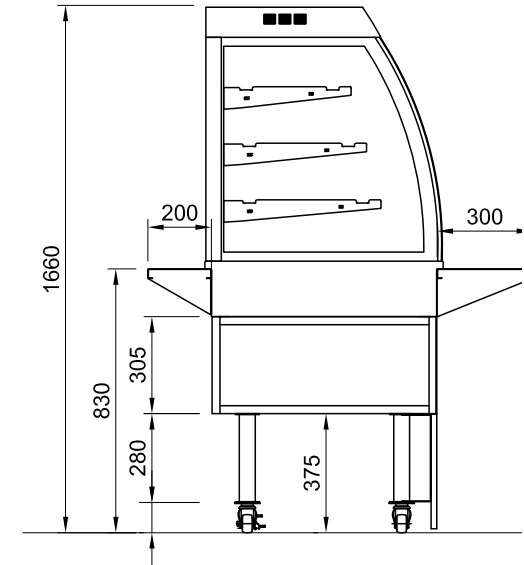




## SELF SERVICE SYSTEM

- Each unit is self contained
- Roll-in - Roll-out
- Install in minutes
- No on site joinery work required
- Ease of cleaning and servicing
- Mobile and flexible
- Easy to upgrade front panel design
- Custom branding strip
- Rear service or against wall
- All parts as optional component kits
- Ideal solution for temporary events



Optional bottom shelf kit for chilled units  
Ensure chilled units are kept well ventilated

Vent required through front panel

Optional bottom meltica shelf kit - BY OTHERS



Optional rear loading shelf kit  
200mm deep

Optional bottom meltica shelf kit - BY OTHERS